



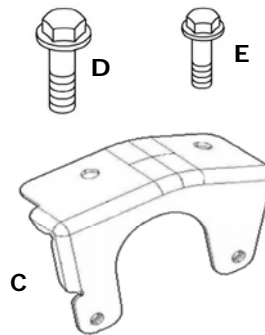
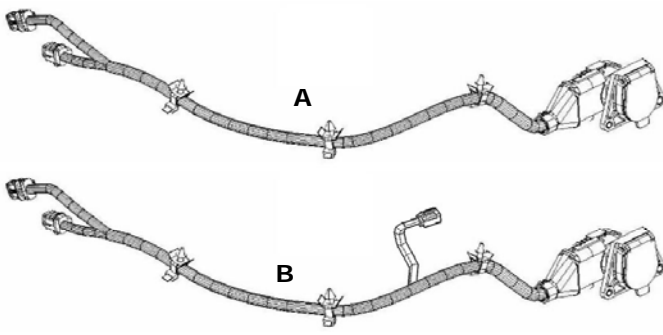
# GENUINE PARTS

## INSTALLATION INSTRUCTIONS

1. **DESCRIPTION:** 7 Pin Trailer Hitch Harness Kit
2. **APPLICATION:** Nissan Pathfinder (2005-2011)
3. **PART NUMBER:** 999T8 XR010 / 999T8 XR024

### 4. KIT CONTENTS:

Item	QTY	Description	Service Part Number
A	1	7 Pin Jumper Harness	999T8 XR001
B	1	7 Pin Jumper Harness with Antenna Connector	999T8 XR006
C	1	Mounting Bracket	999T8 XR002
D	2	M8 Bolt	81-46825-2G
E	2	M6 Bolt	01121-0062U
F	1	Installation Instructions (Website)	999V2 AW000



**F**

**STOP Important! Read Before Installation!**

Dealer Installation Recommended.

**WARNING**

To avoid serious personal injury or property damage, always read the Installation Instructions before attempting to install this accessory. The Installation Instructions provide the necessary procedures for a safe installation.

**CUSTOMER INTERNET DOWNLOAD INSTRUCTIONS:** Customers can obtain Installation Instructions for online or retail vehicles at [www.nissanusa.com](http://www.nissanusa.com) or [www.nissanusa.com/usa](http://www.nissanusa.com/usa). For all other vehicles, please visit our "Nissan Pathfinder" and select Accessory Installations. Select your model and model year, then locate the Instructions for your accessory.

**DEALER ASSIST DOWNLOAD INSTRUCTIONS:** Dealership technicians can locate the Installation Instructions for this accessory in ASSET LINKED TOOLBOX. Always download and use latest version of the Installation Instructions.

Installation Instructions Reference Template: 999T8 XR001 Rev. 03/21/2013

### 5. TOOLS REQUIRED

- 12mm socket
- 10mm socket
- Socket Wrench
- 12mm Combination Wrench
- Clip Removal Tool

### 6. PRE-INSTALLATION CAUTION/NOTES

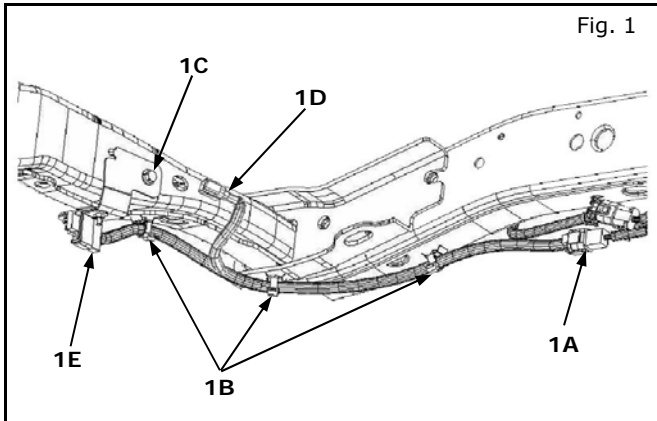
- Park the vehicle on flat level ground
- After the connectors are securely latched together, confirm they remained securely attached to the frame. Re-attach the connectors to the frame tabs, or tie wrap if necessary to assure the connectors will not rattle.
- Check that all vehicle lighting systems are functional and use a test light or test plug to confirm trailer lighting function.

## **CAUTION**

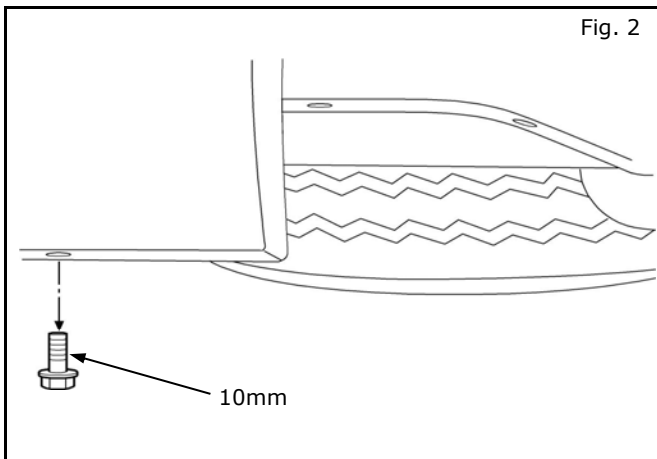
- This harness supplies power for trailer lighting only.
- **Trailer Brakes** - The vehicle wiring provides circuits for trailer brakes but does not provide power. Electrical Power for Operation of Trailer brakes requires installation of additional components:
  1. Jumper harness Part Number 24167 7S000 available from your Nissan Dealer.
  2. Trailer brake controller unit - Available from most trailer supply stores

# INSTALLATION INSTRUCTIONS - Trailer Harness Kit

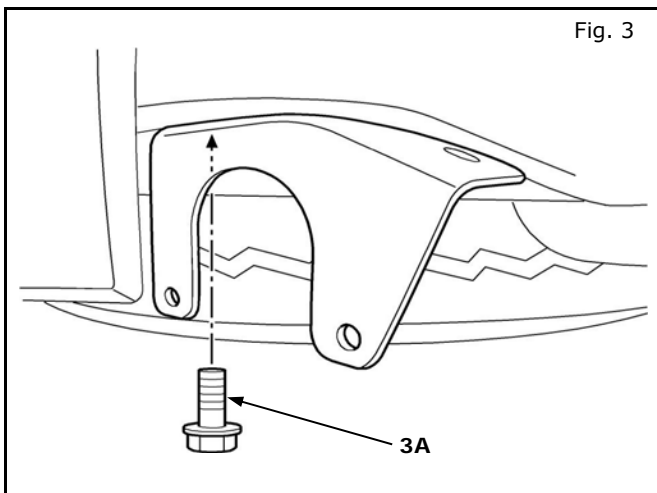
## 7. INSTALLATION



1. Remove the existing 4 pin trailer harness.
  - a) Disconnect inline connectors located on driver side frame.
  - b) Detach harness clips using a clip removal tool.
  - c) Using 12mm wrench, unscrew the bolt attaching the existing bracket to the back of the hitch.
  - d) **If vehicle is equipped with I-key,** disconnect the 2 Pin antenna connector.
  - e) Remove the 4 pin harness and bracket assembly.



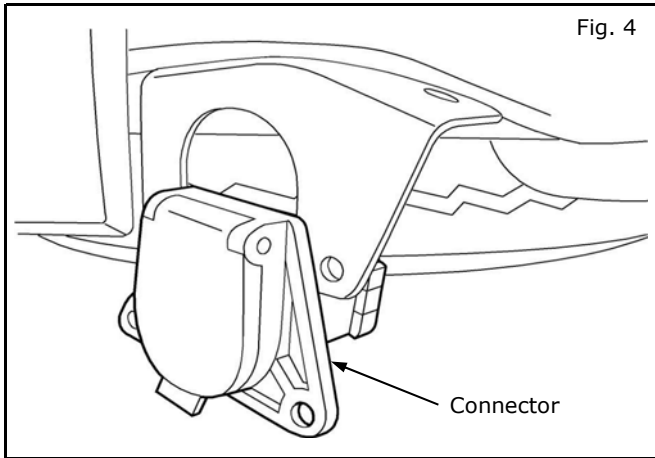
2. Locate the hex head bolt on bottom of the bumper trim to the left of the mounting area. Remove the bolt using 10mm socket wrench (save the bolt for later reinstallation).



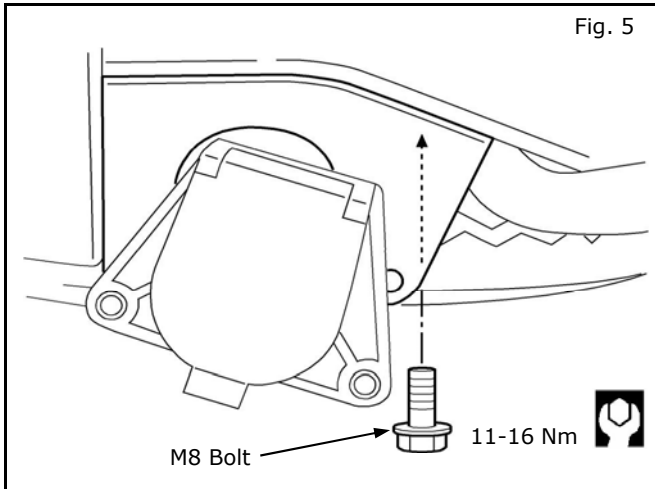
3. Install Mounting Bracket.
  - a) Align the **left** mounting bracket hole with the hitch and secure in place with one (1) M8 bolt. Do **NOT** tighten bolt down at this time as the bracket needs to rotate outward.

# INSTALLATION INSTRUCTIONS - Trailer Harness Kit

## 11. INTERIOR PREPARATION

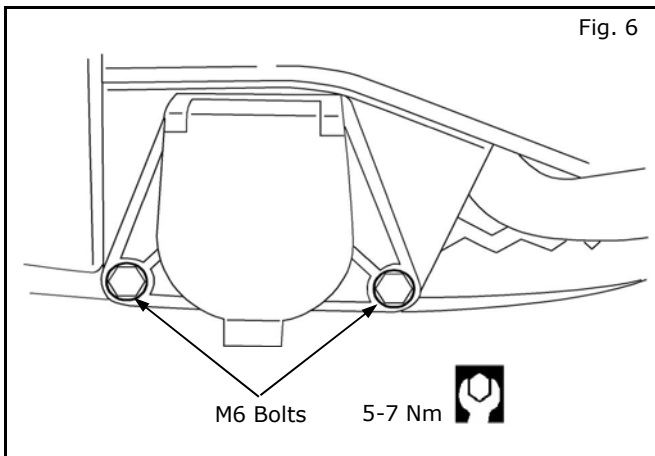
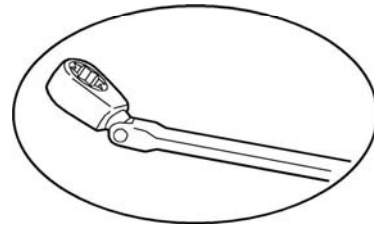


- Slide the connector approx. 3/4 of the way onto the mounting bracket. This will allow space for mounting the second bracket bolt.



- Rotate the mounting bracket into final position and align the mounting hole. Install the second M8 bolt and torque both bolts to 11-16 Nm.

**NOTE: A flex-head combination wrench is recommended to reach the bolts.**

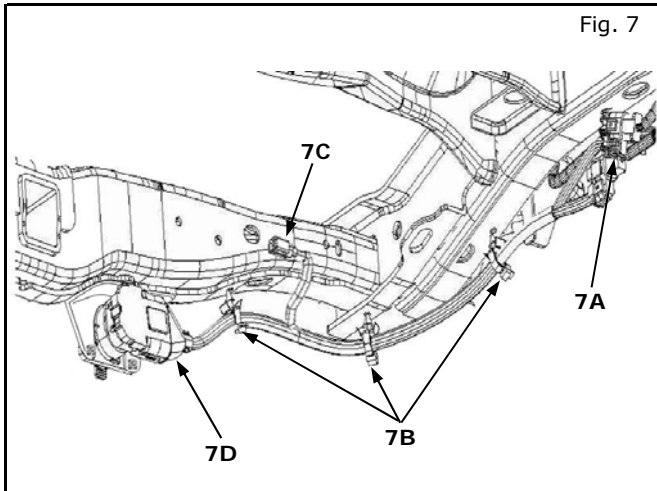


- Slide the connector fully onto the bracket. Align the mounting holes and install two (2) M6 bolts. Torque bolts to 5-7 Nm.

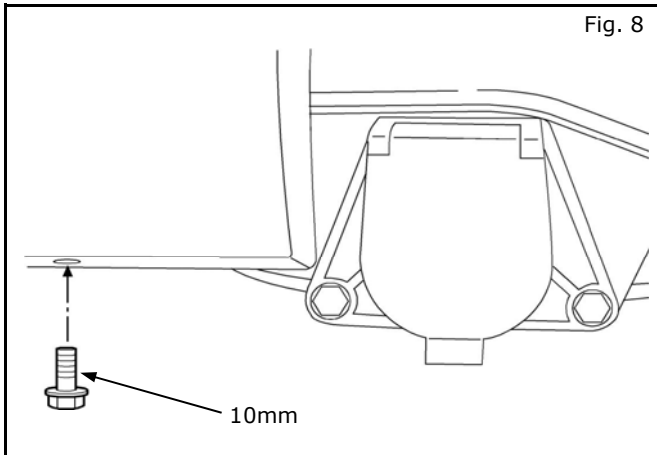
**NOTE: You may have to pull the bumper trim back to avoid any interference when positioning the connector.**

# INSTALLATION INSTRUCTIONS - Trailer Harness Kit

## 7. INSTALLATION

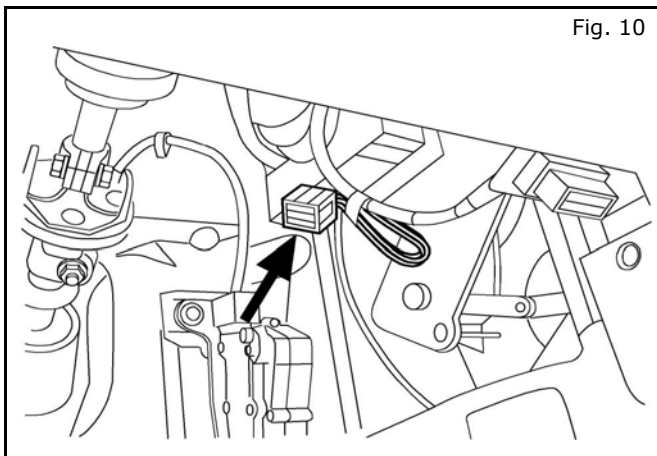


7. Install the 7 pin trailer harness.
  - a) Locate the black connector on the vehicle frame, just above the connector in Step 1a.
  - b) **If vehicle is equipped with I-key:** Remove plug from the harness jumper (grey 2 Pin connector) and connect the 2 Pin antenna connector.
  - c) Attach the 2 Pin antenna connector clip to the clip mounting hole.
  - d) Connect the harness to the new 7 Pin connector at the bracket.
  - e) Reattach harness clips in the same clip mounting holes utilized by the old harness. Be sure to tuck the harness behind the bumper trim bracket.



- 8) Re-secure the bumper trim with the 10mm mounting bolt from Step 2.

9. Confirm that all vehicle lighting systems are functional.



10. The connector for the controller unit jumper is located under the steering column, next to the diagnostic connector. Carefully cut away the tape at the harness to access the connector.

# INSTALLATION INSTRUCTIONS - Trailer Harness Kit

## 8. BILL OF MATERIALS

### Trailer Harness Kit - 999T8 XR010

	Parts Contained in Bag Labelled 'Installation Kit'.	Qty	Part Number
1	Trailer Harness Kit	1	999T8 XR010
2	7 Pin Jumper Harness	1	999T8 XR001
3	7 Pin Connector Bracket	1	999T8 XR002
4	M6 Bolt	2	01121-0062U
5	M8 Bolt	2	81-46825-2G
6	Installation Instructions (Website)	1	999V2 AW000

### Trailer Harness Kit - 999T8 XR024

	Parts Contained in Bag Labelled 'Installation Kit'.	Qty	Part Number
1	Trailer Harness Kit	1	999T8 XR024
2	7 Pin Jumper Harness with Antenna Connector	1	999T8 XR006
3	7 Pin Connector Bracket	1	999T8 XR002
4	M6 Bolt	2	01121-0062U
5	M8 Bolt	2	81-46825-2G
6	Installation Instructions (Website)	1	999V2 AW000