

# 2005-20XX NISSAN FRONTIER BED RACK – TALL VERSION

## BED RACK INSTALLATION INSTRUCTIONS



## SAFETY

Know Safety, no injury. Know injury, no safety. ~Author Unknown

- **READ ALL SAFETY INSTRUCTIONS BEFORE INSTALLATION**
  - FOLLOW ALL INSTRUCTIONS FOR PROPER ASSEMBLY
  - WEAR APPROPRIATE EYE PROTECTION
  - EXERCISE CARE WHEN LIFTING COMPONENTS
  - USE APPROPRIATE TORQUE FOR BOLTS
  - BLUE THREAD LOCKING COMPOUND IS RECOMMENDED ON ALL BOLTS



Suggested Torque Values For Steel Grade 5 Standard Bolts		
BOLT DIAMETER (INCH)	THREADS PER INCH	TORQUE (POUND - FEET)
1/4	20	7
5/16	18	14
3/8	16	25
7/16	14	40
1/2	13	60
9/16	12	88
5/8	11	120
3/4	10	200
7/8	9	302
1	8	466

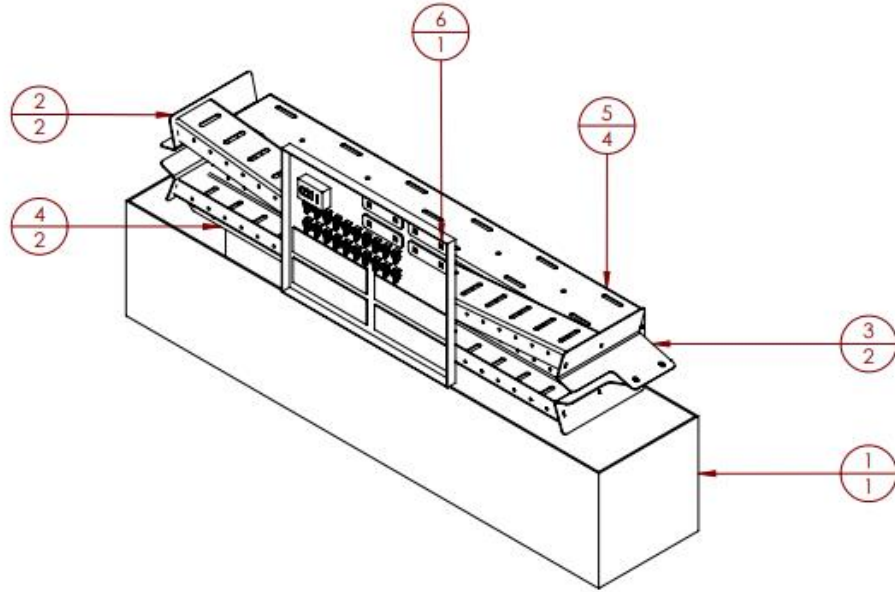
Suggested Torque Values For Steel Grade 8.8 Metric Bolts		
BOLT DIAMETER (mm)	THREAD PITCH (mm)	TORQUE (POUND- FEET)
6	1.0	7
8	1.25	16
10	1.5	32
12	1.75	55
14	2.0	88
16	2.0	140
18	2.5	195
20	2.5	275
22	2.5	375
24	3.0	475

**I. PARTS LIST**

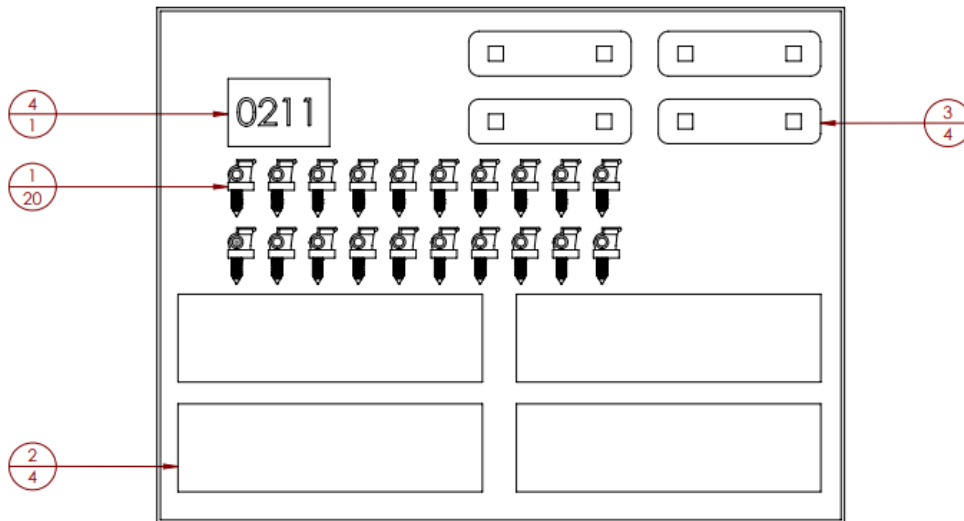
ITEM NO.	QTY	PART NUMBER	DESCRIPTION	
1	1	405-01-0088	12" x 12" x 48"-90" TELESCOPIC CDB	-
2	2	601-56-5768	TALL UPRIGHT WELDMENT 1	-
3	2	601-56-5769	TALL BASE 2	-
4	2	601-56-5770	TALL CROSS RAIL	-
5	4	601-56-5771	TALL FRONT TO BACK RAIL	-
6	1	60H-56-0278	INSTALL KIT 278	-



600-56-1041



ITEM NO.	QTY.	PART NUMBER	DESCRIPTION
1	20	307-12-0070	Wire Loom Clip 1/4"   3/8"
2	4	601-56-5777	FOAM 1
3	4	601-56-5799	RAIL MOUNT
4	1	60K-56-0211	HARDWARE KIT #211



**REMOVE CONTENTS FROM BOX AND VERIFY ALL PARTS ARE PRESENT.  
IF ALL PARTS ARE NOT PRESENT, CONTACT YOUR DEALER.**

**II. TOOL LIST**

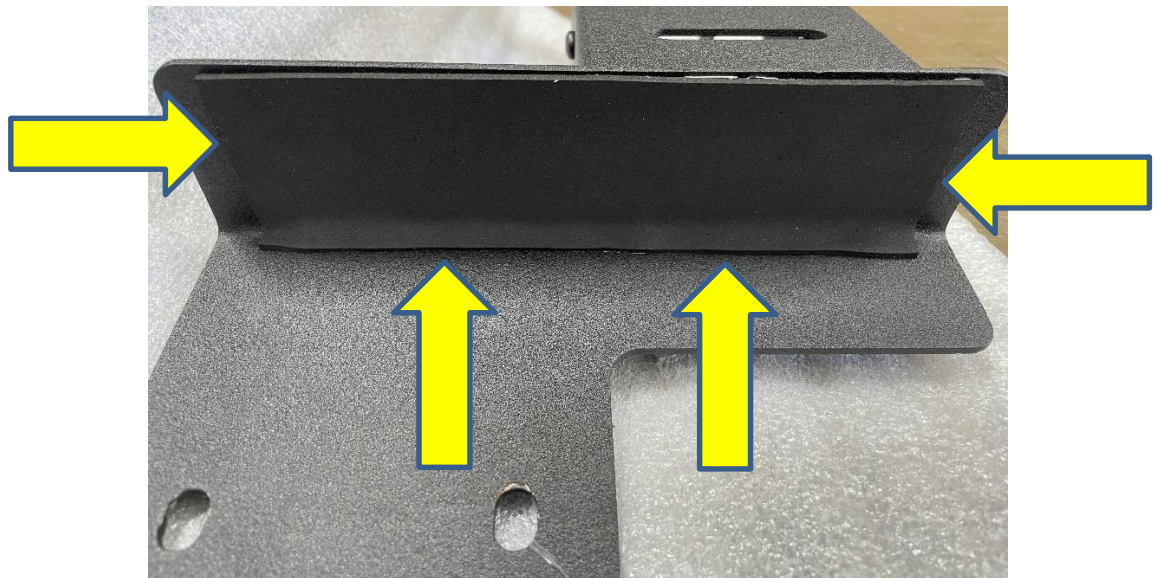
1. A Good Friend
2. Basic Tool Kit
3. T30 Torx bit
4. 11mm Socket or Wrench
5. Ratchet Extension

**III. VEHICLE PREPARATION**

1. Park vehicle on level surface.
2. Engage parking brake and disconnect battery.
3. Detach all products from Utili-Track system.

**IV. PREPARATION AND INSTALLATION OF NISMO BED RACK**

1. Lay NISMO upright weldments face down on a foam or carpeted surface. Install provided foam from install kit 60H-56-0278 to bottom of weldment as shown below. Repeat for all four weldments.



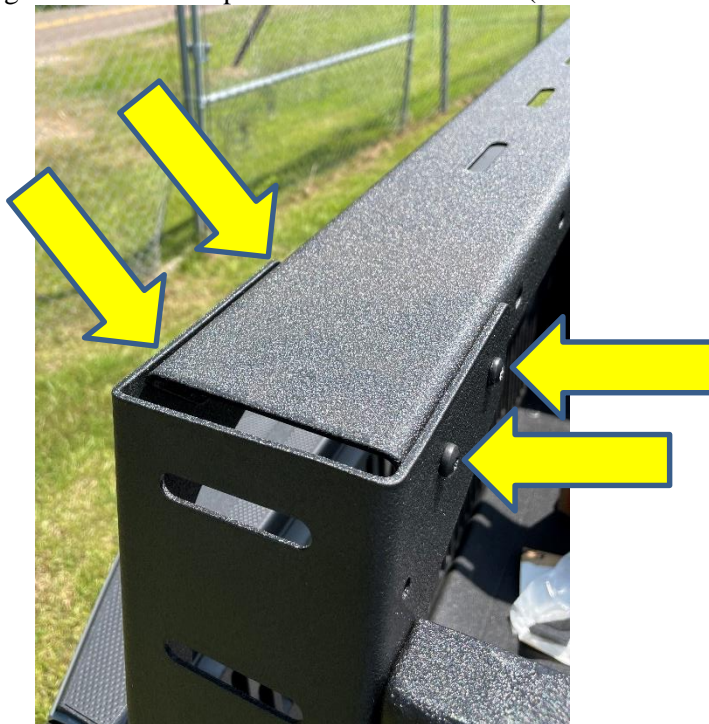
2. Slide the Rail Mount from install kit 60H-56-0278 and carriage bolts from hardware kit 60K-56-0211 inside Utili-Track system as shown below.



3. Place the Upright Weldment on top of bed side and align carriage bolts through the slots in the weldment as shown below. The slotted leg of the upright should go towards the center of the bed. Use star knobs from hardware kit 60K-56-0211 to fasten Upright Weldment to Utili-Track Rail. Leave Star Knobs hand tightened to allow room for adjustment when assembling rest of bed rack. Repeat for all four corners of the bed.



4. Using 8 T30 Torx bolts, washers, and nylock nuts from hardware kit 60K-56-0211, install Cross Rails in-between left and right weldments. Repeat for other Cross Rail. (Pic shows one side)



5. With the same hardware from step 4, install front to back rails using 4 bolts, washers, and nuts per rail. There are several holes for you to customize the location of these rails. It is recommended to place one per side and 2 along the top. Note: you may need to adjust your uprights front or back for proper fitment.



6. Using an 11mm socket or wrench and a T30 bit, tightly fasten all hardware. An impact driver will make this a quick and easy task. Use wire loom clips in install kit 60H-56-0278 to securely hide any wiring.



**Congratulations! Your Installation is now complete.**

**Thank You for your purchase!**