



## GENUINE PARTS

### INSTALLATION INSTRUCTIONS

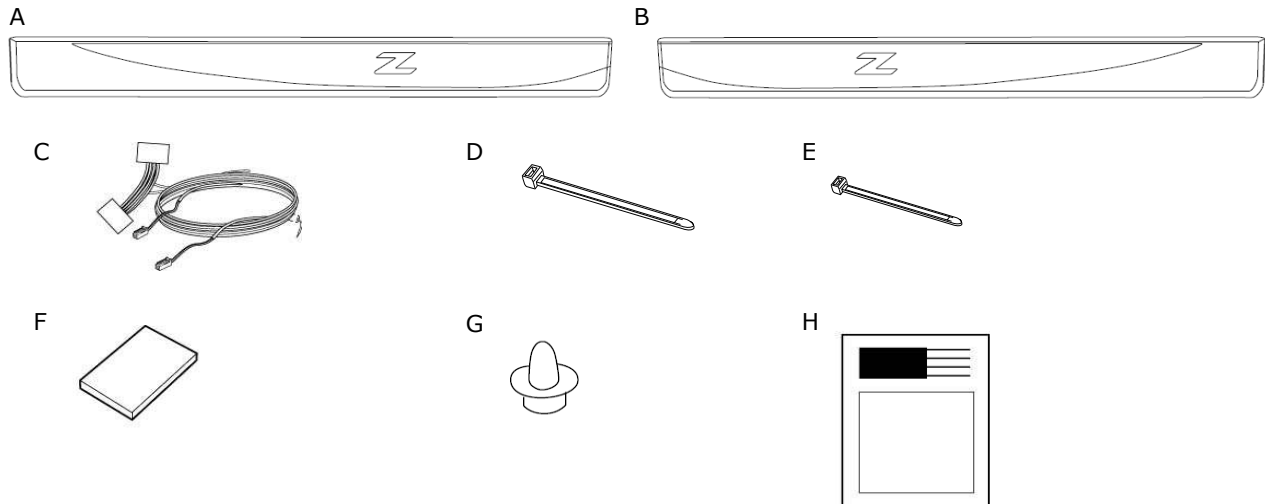
1. **DESCRIPTION:** Illuminated Kick Plate

2. **APPLICATION:** 370Z

3. **PART NUMBER:** G6950 1EA0A

4. **KIT CONTENTS:**

Item	QTY	Description
A	1	Kick Plate LH
B	1	Kick Plate RH
C	1	T-Harness
D	1	Tie Wrap(L=300)
E	7	Tie Wrap(L=150)
F	18	Urethane foam tape
G	2	Clip
H	1	Installation Instructions



5. **TOOLS REQUIRED:**

- Nylon Removal Tool
- Flash light
- 100% alcohol
- Wire cutter
- Scissors
- Soft non linting towel
- Fish tape
- Soap and water

# INSTALLATION INSTRUCTIONS - ILLUMINATED KICK PLATE

## 6. PRE-INSTALLATION CAUTIONS/NOTES

### ⚠ CAUTION

- Dealer Installation Recommended. Instructions refer to Service Manual.
- Please read this instruction carefully before installing this product for correct installation.
- Please DO NOT use or install the part in ways other than what is described in this instruction manual.
- If problem occurs during installation, please contact Nissan dealer where you purchased the product.

- 1) Apply Parking Brake.
- 2) Make sure the shift lever is engaged in "P" or "N" position.
- 3) Record customer Radio Presets.

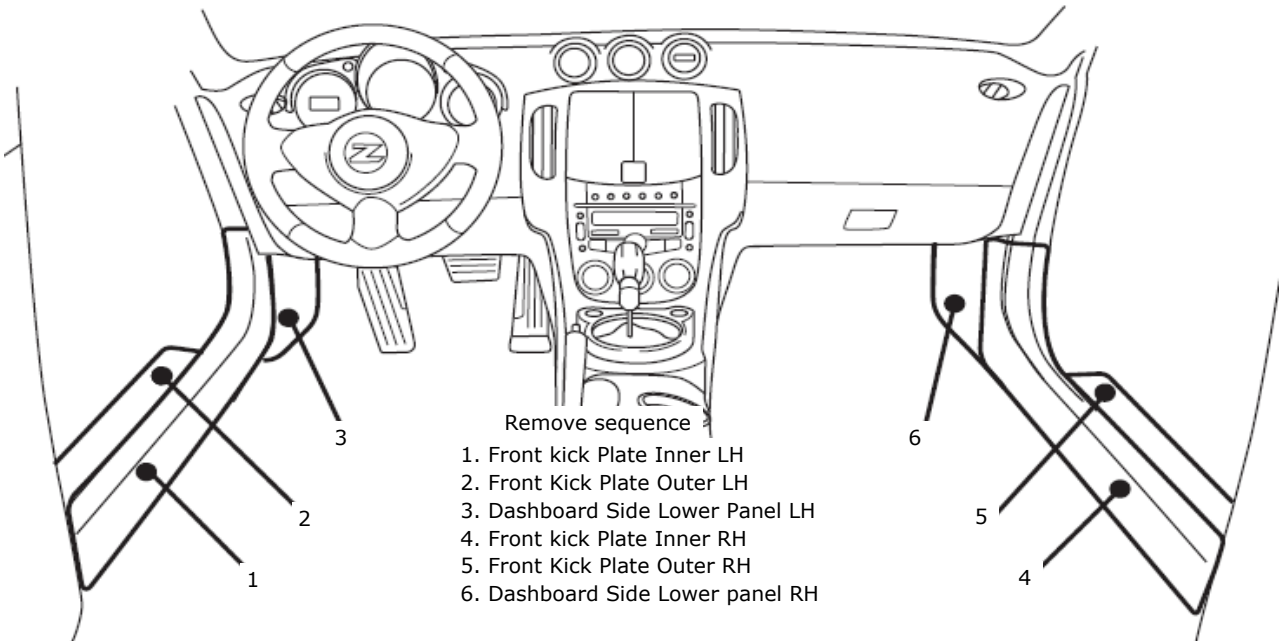
Preset	1	2	3	4	5	6
A						
B						
C						

- 4) Use seat and floor protection.
- 5) Open the hood of the vehicle.
- 6) Disconnect the negative battery terminal to prevent short circuits during installation.
- 7) This part is to be installed at a surface temperature of 65-100°F.
- 8) Do not wash the vehicle for 24 hours after installing to prevent the double-sided tape from peeling.

### ⚠ CAUTION

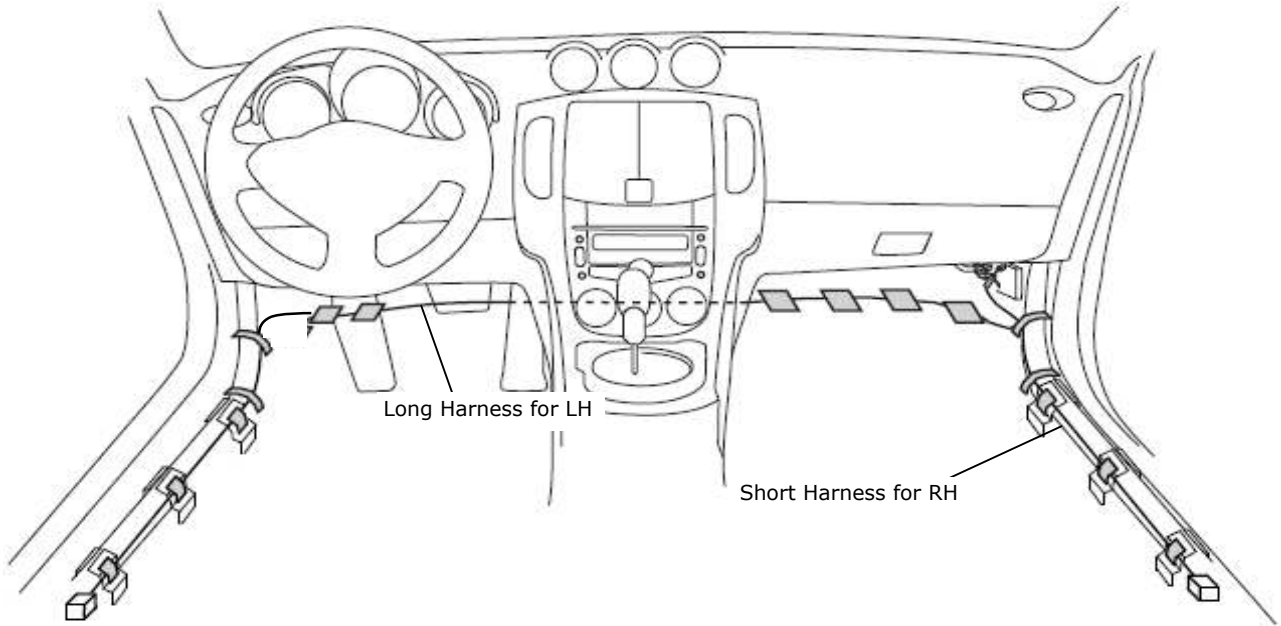
- Care must be taken not to scratch or damage any components during the removal or replacement process.

- 9) Remove the following interior trim parts in the sequence shown below.

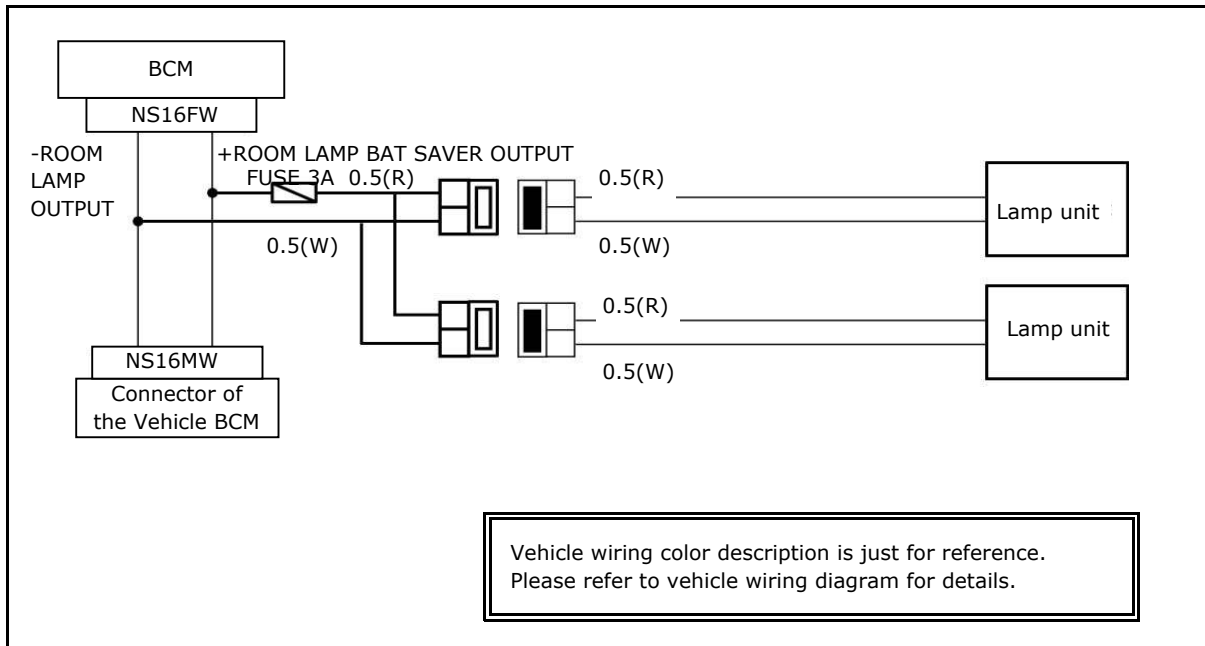


# INSTALLATION INSTRUCTIONS - ILLUMINATED KICK PLATE

## 7. INSTALLATION OUTLINE



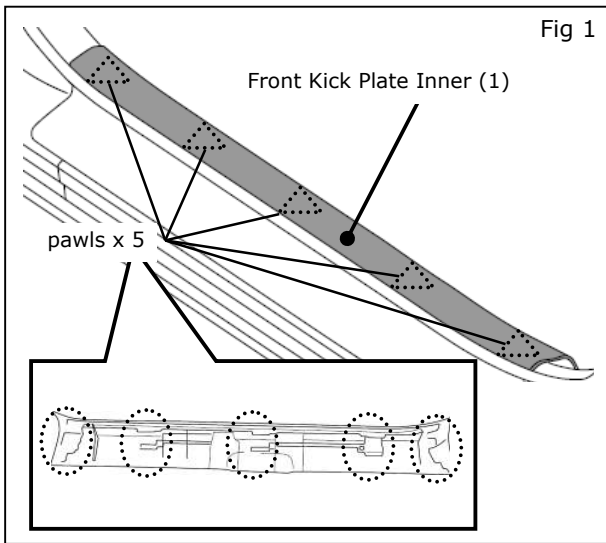
## 8. STANDARD CONNECTION METHOD



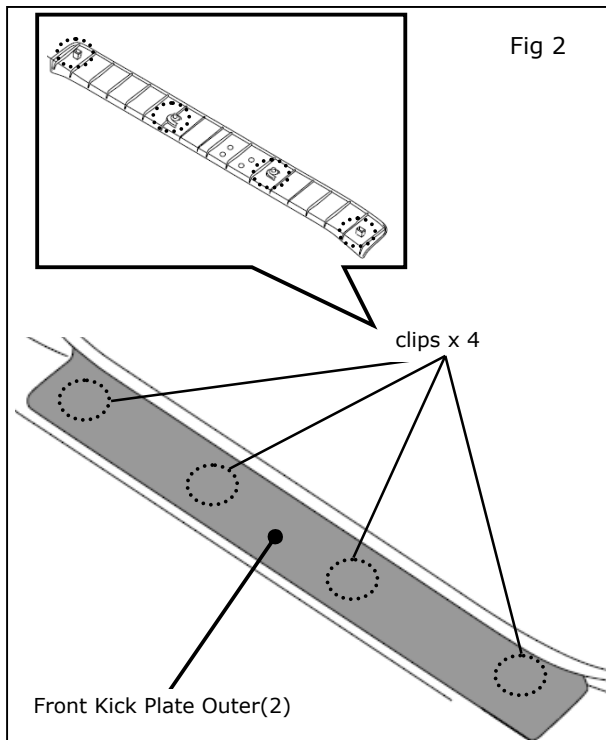
## INSTALLATION INSTRUCTIONS - Illuminated Kick Plate

### 9. VEHICLE PARTS REMOVAL

The procedure below shows the installation for LH side.  
Repeat procedure for RH side.



- 1) Front Kick Plate Inner LH removal
  - a) Pull up Front kick plate inner, and disconnect pawls. Shown in Fig 1.
  - b) Remove Front kick plate inner (1).

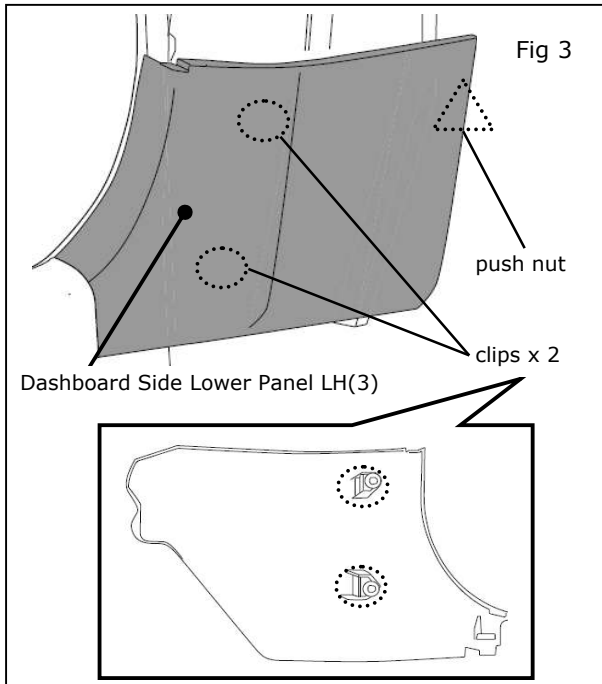


- 2) Front Kick Plate Outer LH removal
  - a) Remove front kick plate outer mounting clips with nylon removal tool, then remove kick plate outer (2). Shown in Fig 2.

## INSTALLATION INSTRUCTIONS - Illuminated Kick Plate

### 9. VEHICLE PARTS REMOVAL

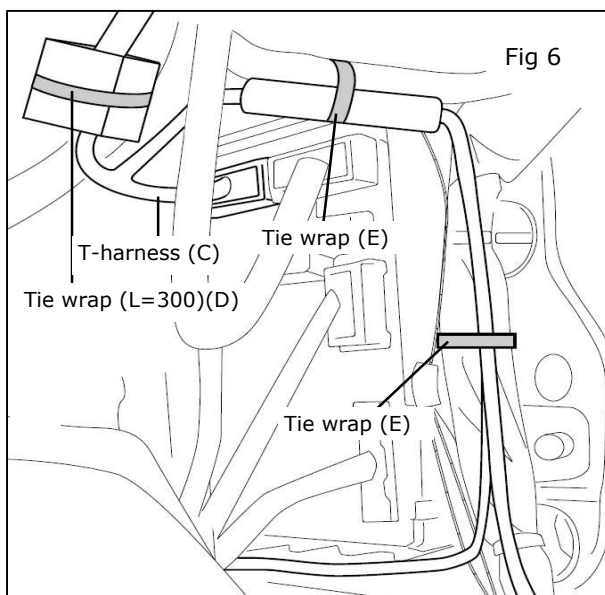
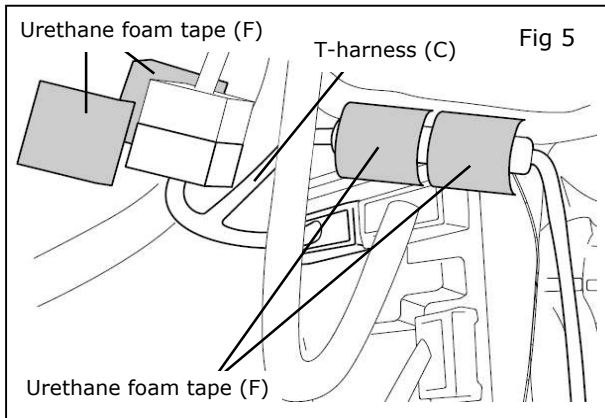
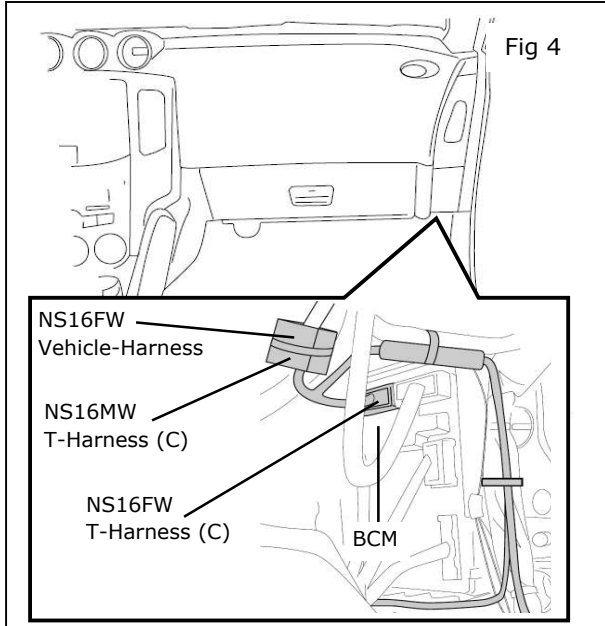
The procedure below shows the installation for LH side.  
Repeat procedure for RH side.



- 3) Dashboard Side Lower Panel LH removal
  - a) Remove a Push nut.
  - b) Detach dash side finisher mounting clips with nylon removal tool, then remove Dashboard Side Lower panel (3).  
Shown in Fig 3.

# INSTALLATION INSTRUCTIONS - Illuminated Kick Plate

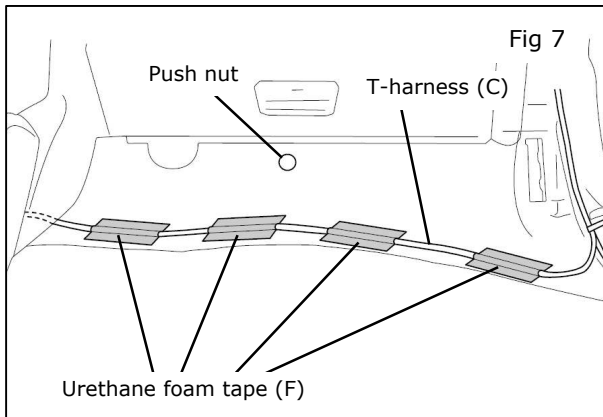
## 10. WIRING HARNESS INSTALLATION



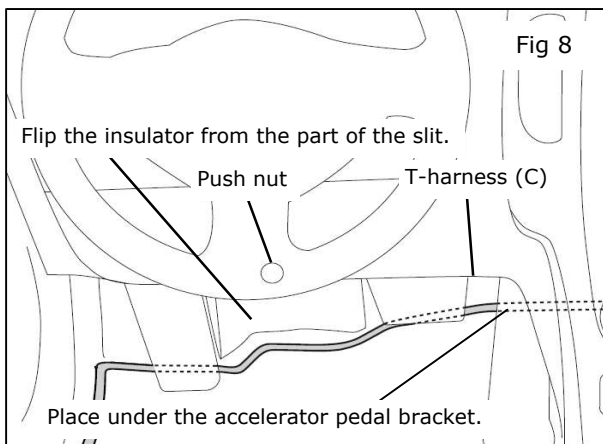
- 1) Disconnect connector (NS16FW) from the BCM.
- 2) Connect (NS16FW) from T-harness (C) to the BCM shown in Fig 4.
- 3) Connect the connector (NS16FW) which was disconnected from the BCM to the T-harness (C) shown in Fig 4.
- 4) Wrap the connected connector with two pieces of Urethane foam tape (F). Shown Fig 5.
- 5) Wrap the fuse of T-harness (C) with two pieces of Urethane foam tape (F). Shown Fig 5.
- 6) Attach the fuse of T-harness (C) at the position shown in Fig 6, using the tie wrap (E). (1 place)
- 7) Attach the connected connector to the T-harness (C) at the position shown in Fig 6, using the tie wrap (D). (1 place)
- 8) Attach the T-harness (C) at the position shown in Fig 6, using the tie wrap (E). (1 place)

## INSTALLATION INSTRUCTIONS - Illuminated Kick Plate

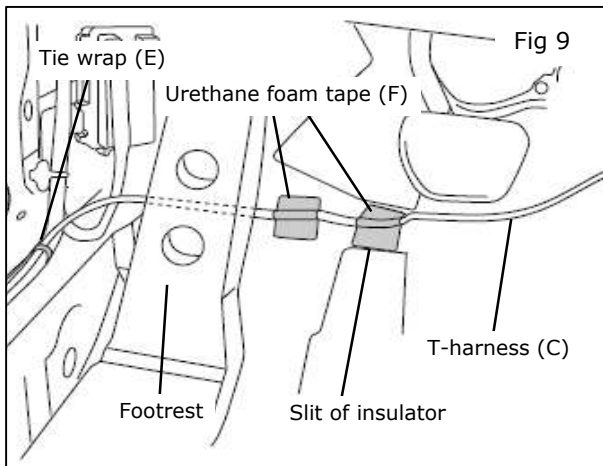
### 10. WIRING HARNESS INSTALLATION CONT'D



- 9) Remove one push nut from front passenger side carpet. Shown in Fig 7.
- 10) Flip the carpet of passenger side.
- 11) Route a long harness from the passenger side to the driver side through the front side of the center console. Shown in Fig 7.
- 12) Attach the harness to floor using Urethane foam tape(F). Shown in Fig 7. (4 places)



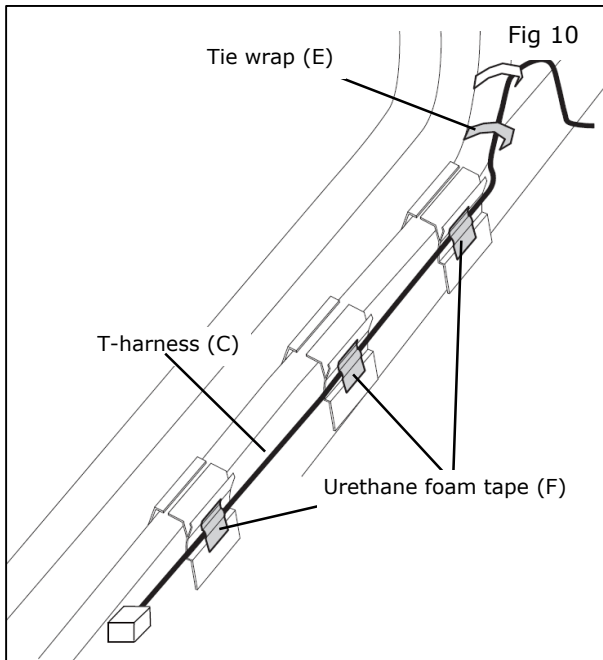
- 13) Remove one push nut from front driver side carpet. Shown in Fig 8.
- 14) Flip the carpet of the driver's side, and the insulator from the part of the slit.
- 15) Route the harness under accelerator pedal bracket. Shown in Fig 8.



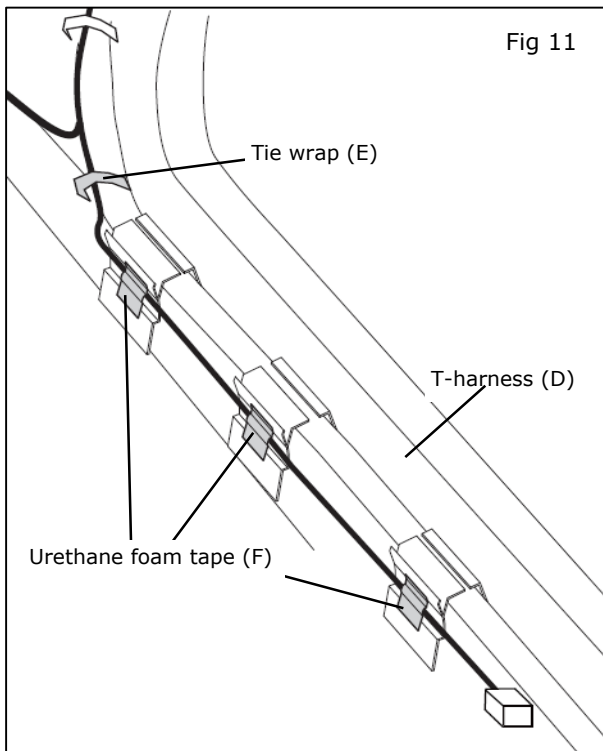
- 16) Route the harness under foot rest. Shown in Fig 9.
- 17) Attach the harness to floor using Urethane foam tape(F). Shown in Fig 9. (2 places)
- 18) Attach the T-harness (C) at to vehicle's harness using the tie wrap (E). Shown in Fig 9. (1 places)

## INSTALLATION INSTRUCTIONS - Illuminated Kick Plate

### 10. WIRING HARNESS INSTALLATION CONT'D



- 19) Route T-harness (c) along the vehicle harness. and attach the T-harness (C) at to vehicle's harness using the tie wrap (E). Shown in Fig 10. (1 place)
- 20) Fold one piece urethane foam tape (F) and cut into two equal pieces.
- 21) Attach the harness to the vehicle harness protector using the cut piece of Urethane foam tape (F). Shown in Fig 10. (3 places)



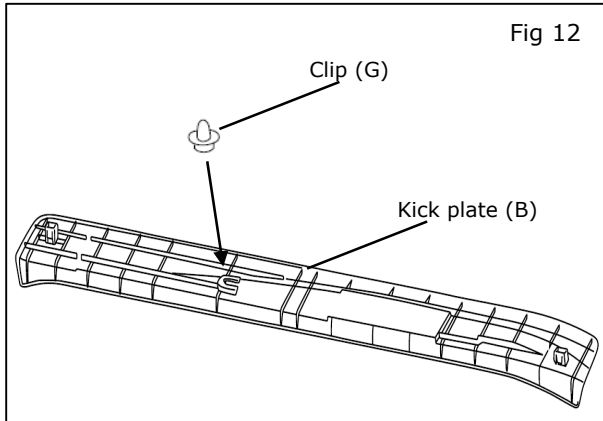
- 22) Route T-harness (c) along the vehicle harness. and attach the T-harness (C) at to vehicle's harness using the tie wrap (E). Shown in Fig 11. (1 place)
- 23) Fold one piece urethane foam tape (F) and cut into two equal pieces.
- 24) Attach the harness to the vehicle harness protector using the cut piece of Urethane foam tape (F). Shown in Fig 11. (3 places)
- 25) Function check
  - a) Connect T-harness to kick plate lamp unit harness.
  - b) Connect battery.
  - c) Check function. Confirm "Z" text illuminates when either door is open.
  - d) If OK, disconnect T-harness from kick plate harness.
  - e) If NG, check harness routine, connections and lamp unit to identify root cause and fix it. Repeat steps a) to c) until it is OK.
  - f) Disconnect battery.



## INSTALLATION INSTRUCTIONS - Illuminated Kick Plate

### 11. CLIP TO A KICK PLATE INSTALLATION

The procedure below shows the installation for LH side.  
Repeat procedure for RH side.

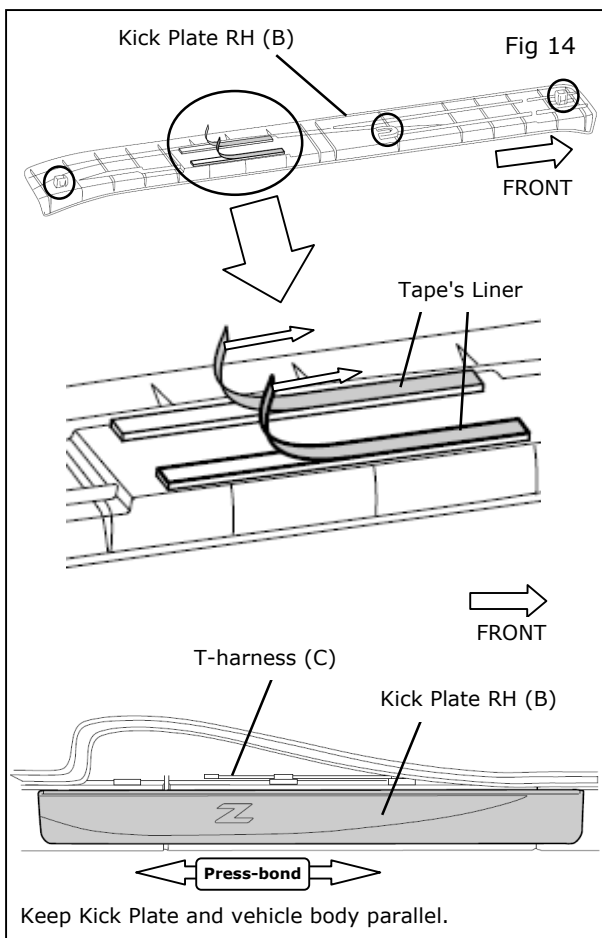
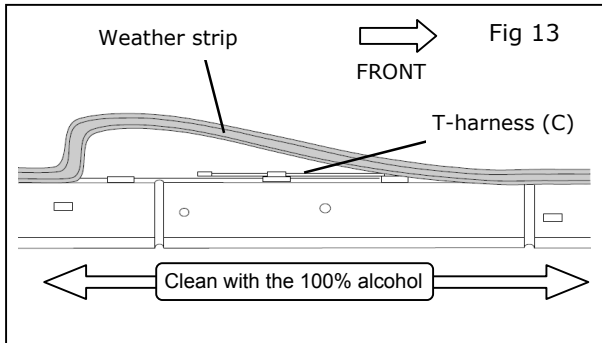


- 1) Clip (G) slide to the back side Clip Seat of the kick plate (B). Shown in Fig 12.

## INSTALLATION INSTRUCTIONS - Illuminated Kick Plate

### 12. FRONT KICK PLATE INSTALLATION

The procedure below shows the installation for RH side. Repeat procedure for LH side.



- 1) Remove the vehicle weather strip near the kick plate (B) attachment location. Shown in Fig 13.
- 2) Clean the attachment area of kick plate (B) with soapy water.
- 3) Dry area with soft non linting towel.
- 4) Clean area with the 100% alcohol and let dry for 30 seconds.
- 5) Pull the double-sided tape liner pull tab to remove liner.
- 6) Align clips on part to first, second and fourth hole on vehicle from front side.
- 7) Set part on vehicle, being careful to keep the outside edge of the part parallel to the rocker panel.
- 8) Apply minimum 11lb(49N) of pressure along the part to attach tape to body. Shown in Fig 14.

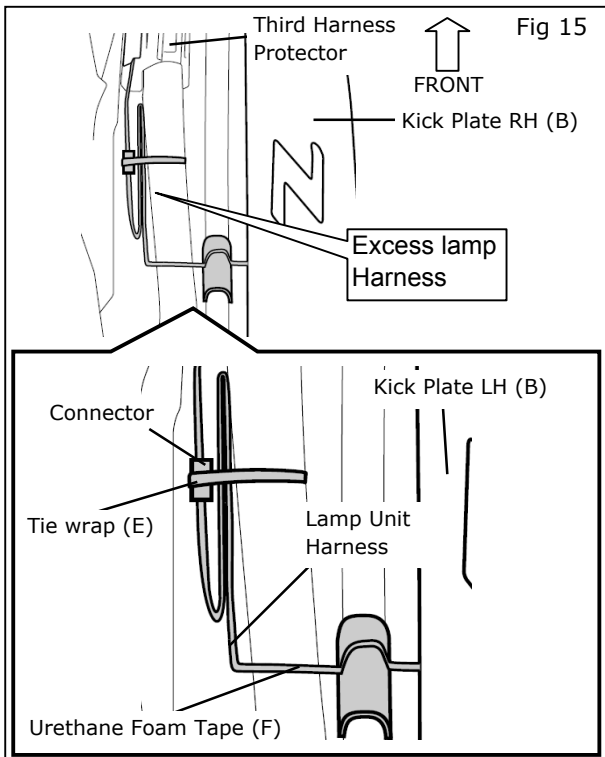
### ⚠ CAUTION

- Use caution when applying pressure as the surface may dent.
- During installation, be careful not to allow the harness to get stuck between the vehicle and the kick plate.
- Harness should be routed through the notched area of the kick plate.

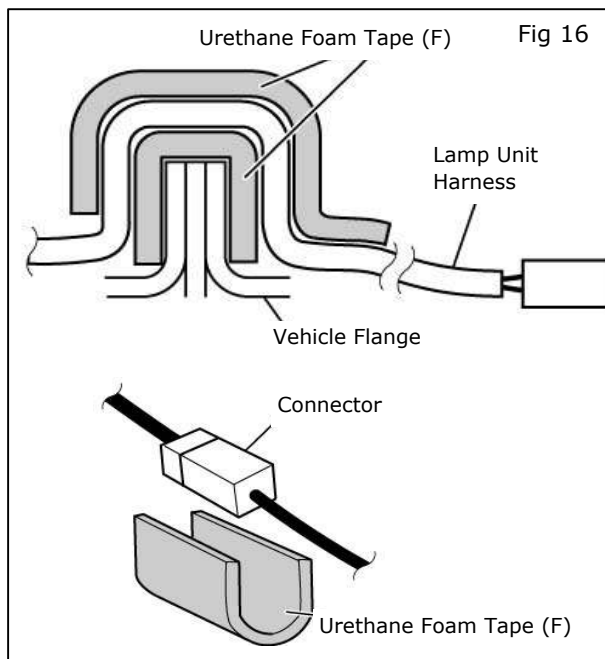
## INSTALLATION INSTRUCTIONS - Illuminated Kick Plate

### 13. HARNESS CONNECTION INSTALLATION

The procedure below shows the installation for RH side.  
Repeat procedure for LH side.



- 1) Fold one piece urethane foam tape (F) and cut into two equal pieces.
- 2) Clean both sides of the attachment area for the urethane foam tape (F) with the 100% alcohol. Let dry for 30 seconds. Shown in Fig 15.



- 3) Attach the cut piece of urethane foam tape (F) to vehicle flange. Shown in Fig 16.
- 4) Place the lamp harness on top of the urethane foam tape (F), then apply second half of the urethane foam tape (F) on top of the harness.
- 5) Connect the connectors and apply the urethane foam tape (F) on the connecting section. Shown in Fig 16.
- 6) Attach excess lamp harness to the vehicle harness with a tie wrap (E) shown in Fig 15.
- 7) Cut excess tie wrap.

### CAUTION

- Do not attach the harness to sharp metal edge.

## INSTALLATION INSTRUCTIONS - Illuminated Kick Plate

### 15. CHECK AFTER INSTALLATION

1) Please check that the installation has no problem.

- a) confirm connection of connector
- b) confirm whether wire harness is fixed.

### 16. FUNCTION CHECK

- 1) Re-connect battery negative terminal.
- 2) Confirm "Z" text is illuminated when either door is in the opened position.

### 17. REINSTALLATION OF REMOVED PARTS

- 1) All removed vehicle parts have been reinstalled.

#### CAUTION

- Use caution when re-installing interior components to avoid damage, scratch, or breaking of mounting clips.

- 2) Clean interior of vehicle.

### 18. VEHICLE CHECK

- 1) Remove all tools from the vehicle.
- 2) Inspect reinstalled interior trim parts for proper panel fit.
- 3) Reset radio presets to the recorded setting.
- 4) Turn ignition to ON position.
- 5) Confirm proper radio operation.
- 6) Initialize sun roof, and power window operation.
- 7) Confirm proper operation of the rear window washer fluid.
- 8) Turn ignition to off position.

#### CAUTION

- During restoring, please use caution so as not to cause the stacking of the vehicle's harness, or damage to any other parts.