

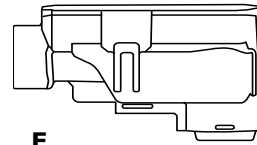
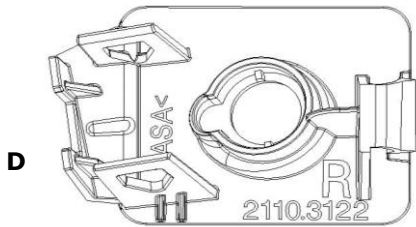
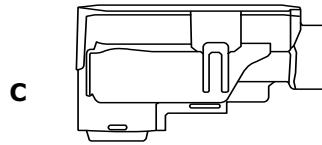
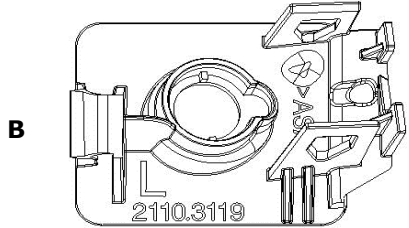


GENUINE PARTS

INSTALLATION INSTRUCTIONS

DESCRIPTION:	Exterior Mirror LOGO Lamp Kit
APPLICATION:	Titan (All regular mirrors with puddle lamps)
PART NUMBER(S) REQUIRED FOR INSTALLATION:	999F8 W8001 -Exterior Mirror LOGO Lights
KIT CONTENTS:	

A Mirror LOGO Lamp Kit



F

STOP Important: Read Before Installation

Dealer Installation Recommended.

WARNING

▲ To avoid serious personal injury or property damage, always read and follow instructions before attempting to install the accessory. The installation instructions provide the necessary procedures for a safe installation.

FOR FURTHER IMPORTANT DOWNLOAD LINK INFO:
Customers can view installation instructions for 2016+ Nissan vehicles at www.nissaukparts.com or www.nissanusa.com respectively. From the Nissan logo, click 'Accessory Information'. Select your Model, Model Year, and Assembly Type or search for your Model, and/or Model Year, and/or Assembly Type including Keyword or Part Number. Then locate the instructions for your accessory.

DEALER ASSIST DOWNLOAD LINK INFO:
Dealer instructions can locate the Dealer's instructions for the accessory by scrolling to and select, 'No' (read instructions) link. Always download and use latest version of the Dealer's Instructions.

Installation Instructions Replacement Template: 8992 4898 Rev. 07/2018

ADDITIONAL SERVICE PARTS NOT INCLUDED IN KIT ABOVE :

Item	Qty.	Part Description	Service Part Number

**PART NUMBER(S)
REQUIRED FOR
INSTALLATION:**

999F8 W8001 Exterior Mirror LOGO Light

KIT CONTENTS:

Item	Qty.	Part Description	Service Part Number
A	1	Exterior Mirror LOGO Light Kit	999F8 W8001
B	1	Mirror LOGO Lamp LH	998F8 W8002
C	1	Mirror LOGO Lamp Holder LH	
D	1	Mirror LOGO Lamp RH	998F8 W8003
E	1	Mirror LOGO Lamp Holder RH	
F	1	II REPLACEMENT TEMPLATE CARD	999V2 AW000

TOOLS REQUIRED:

- Screwdriver, Straight 3/8"
- Straight plastic trim tool 3/8"

INSTALLATION CAUTIONS:

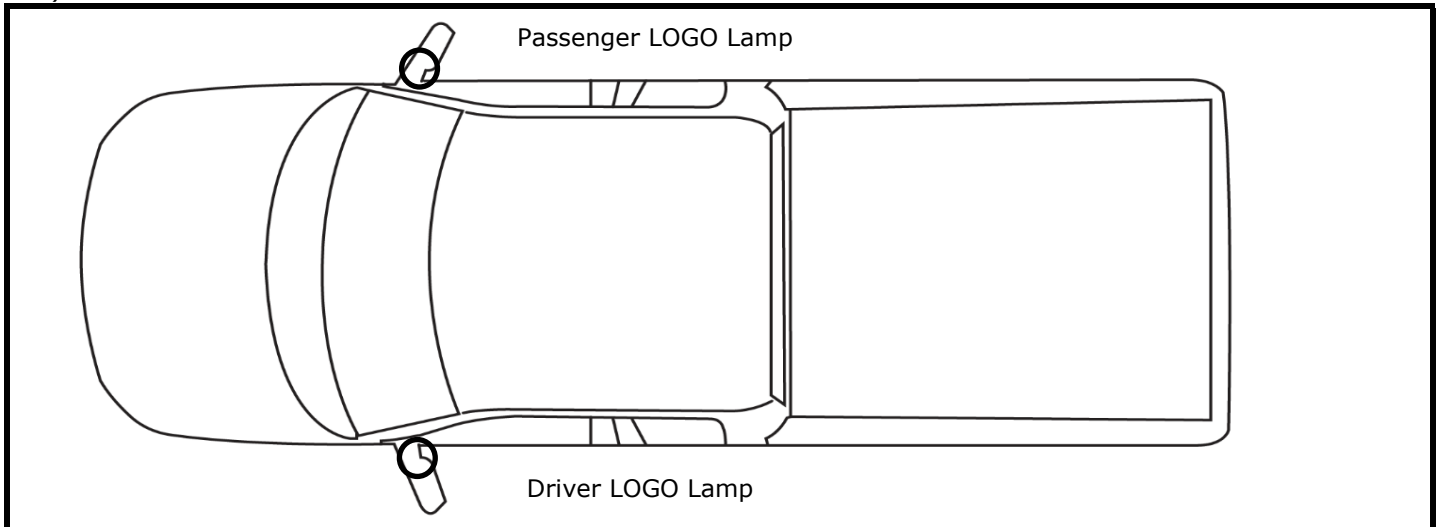


CAUTION

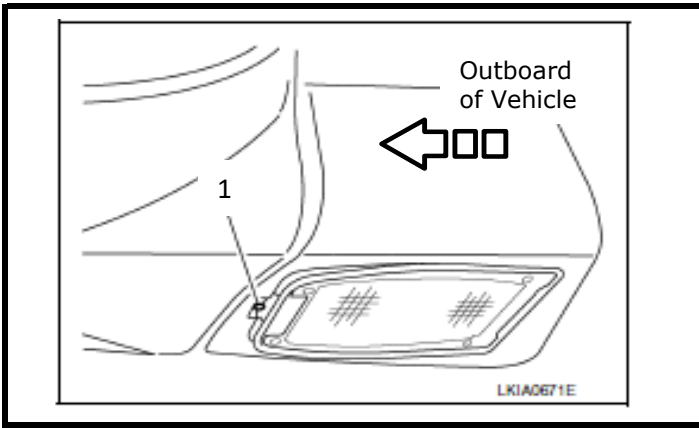
- Dealer installation recommended. Instructions may refer to Service Manual.
- Please read this instruction carefully before installing this product for correct installation.
- Please **DO NOT** use or install the part in ways other than what is described.
- Always use floor, seat and steering wheel protection.
- Parts utilizing adhesion as method of attachment are to be installed at surface temperature of 15-38° C
- Posi-Tap™ instructions must be specifically followed as described in Appendix A.
- Apply masking tape as needed to protect areas that may be scratched or damaged by tools.
- Always remove vehicle parts in the sequence directed. Improper procedure can damage parts.
- Take care not to scratch or damage any component during the removal or re-installation process.
- Trim pieces found to have witness marks or broken clips **ARE NOT** to be reinstalled.
- Store removed parts in a safe manner.
- If a problem occurs during installation, please contact Nissan dealer where product was purchased.

SECTION 3 - OVERVIEW

3.1) SYSTEM



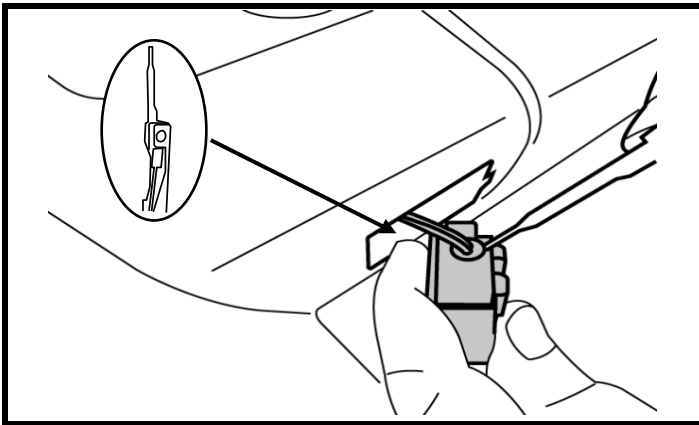
SECTION 2 - INSTALL



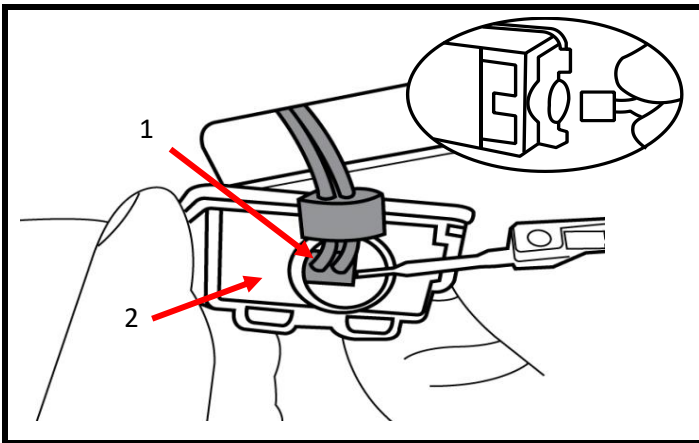
- 2.1) Remove Puddle lamp on the left side of the vehicle (Driver's Side)
 - a) Insert narrow screwdriver tip into tab (1) on outer edge of puddle lamp housing
 - b) Lower outer edge and slide puddle lamp housing out of door mirror

CAUTION

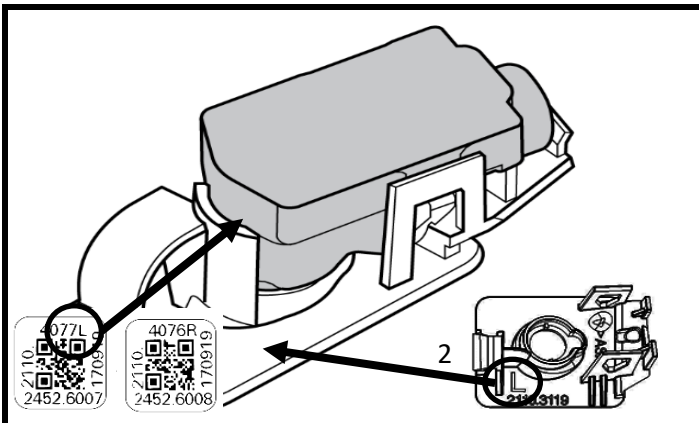
Take care to fully engage tab of housing (black), not clear plastic lens.



- 2.2) Disconnect puddle lamp connector
 - a) Use plastic pry stick to move the water seal of the connector out of the puddle lamp and back on the wire harness.

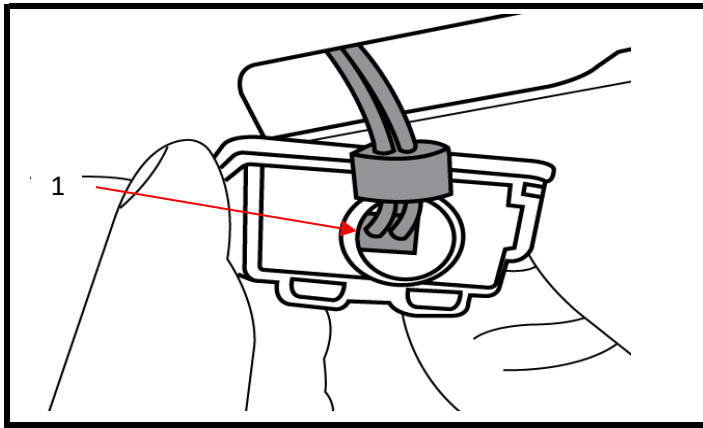


- 2.3) Disconnect puddle lamp connector
 - a) Once the seal is pulled back use the pry stick or small needle nose pliers to aid in gently removing the connector shell from the puddle lamp.
 - b) You can grasp water seal on wire and wire to pull connector (1) straight out to disconnect puddle lamp connector from puddle lamp (2)

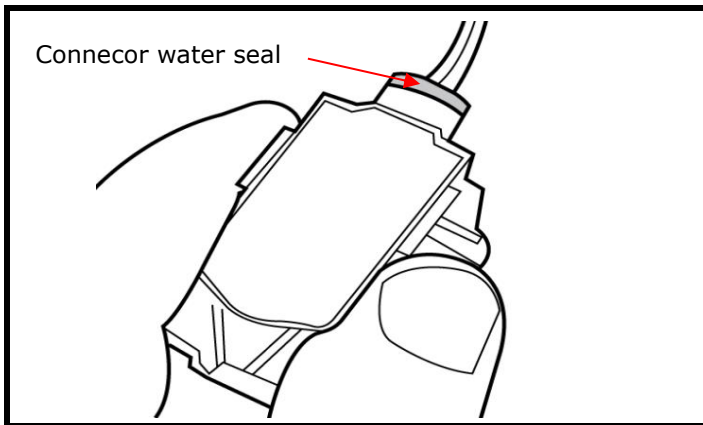


- 2.4) Install Left side (Driver's Side) LOGO Lamp into the lamp holder
 - a) Install LOGO Lamp marked L on Label into the Lamp holder marked L as shown

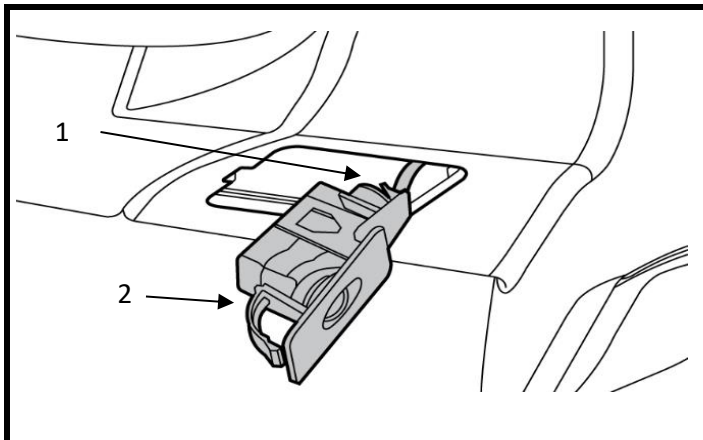
SECTION 2 - INSTALL



- 2.5) Reconnect lamp connector in the LOGO lamp
- Reinsert connector as shown into the rear of the LOGO Lamp.
 - Push connector (1) straight in to the connect on the LOGO Lamp (2). Verify connector and seal are fully seated.



- 2.6) Reinstall connector water seal into the back of the LOGO lamp body

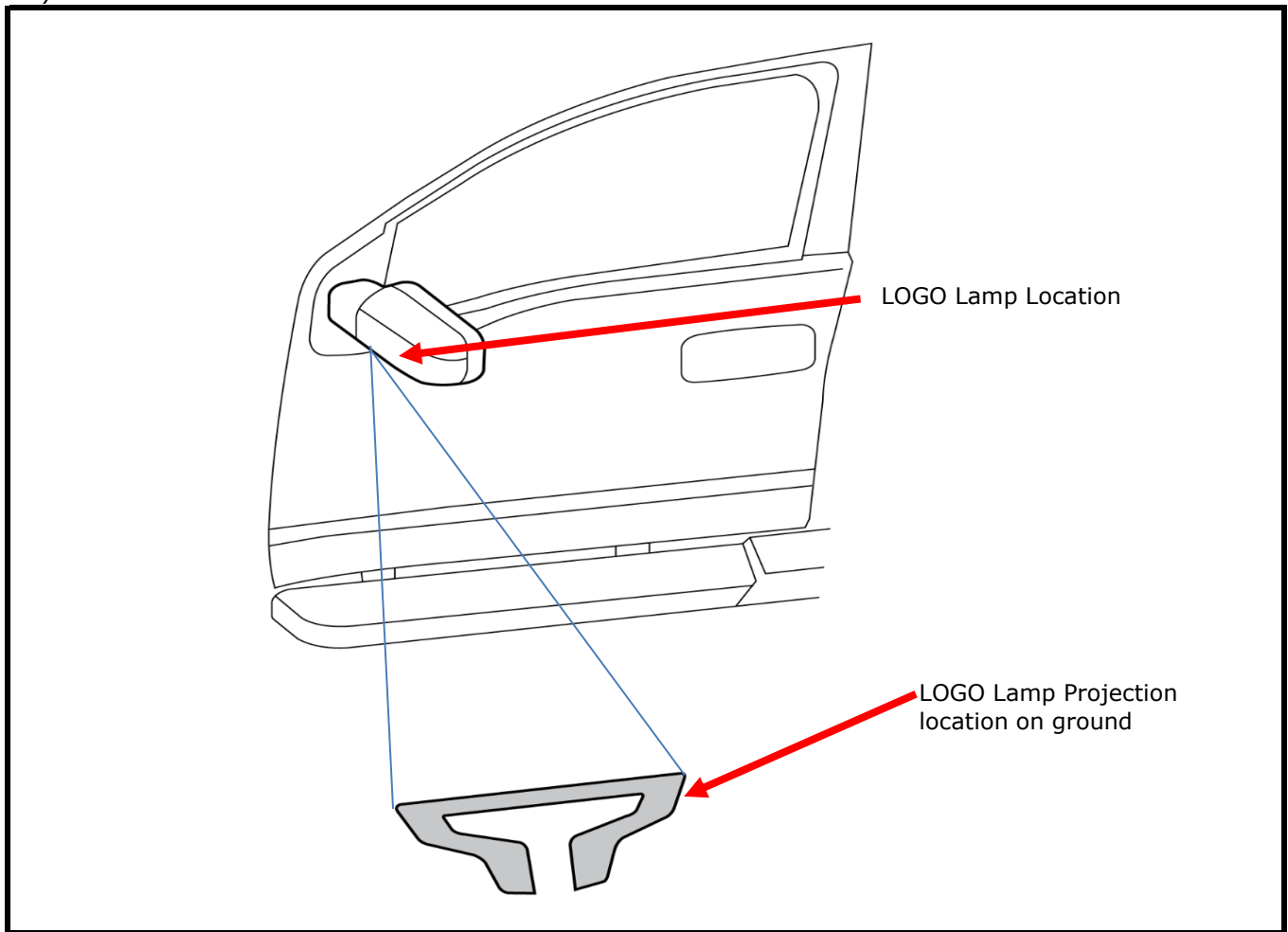


- 2.7) Reinstall new LOGO lamp into the mirror base
- Installation of new LOGO lamp module assembly is in the reverse order of removal puddle lamp.

- 2.8) **Repeat steps 2.1 - 2.7 on passenger side.**

SECTION 3 - FINAL Check

3.1) Final Visual Check



- a) Check Lamp operation by opening and closing the door and verify correct LOGO projection on the ground.
- b) Use key fob to lock and unlock vehicle and verify LOGO Projection works.