

Z1 OFF-ROAD A61 TITAN XD 5.6L (GAS) COLD AIR INTAKE INSTALLATION MANUAL



This Installation Manual is intended for the following models:	
2016+	Nissan Titan (VK56)

PROLOGUE:

Study these instructions completely before proceeding to assembly. The installer must have a thorough knowledge of automotive systems operation. If unfamiliar with any of the concepts outlined in this instruction, we recommend the installation be completed by a qualified professional.

WARNING!

Extreme caution should be taken when performing maintenance or performance upgrades to your vehicle. Please observe and abide by any Warning or Caution labels placed on the various components and tools used when servicing your vehicle. If you have any questions regarding installation or the various components included with the Z1 Off-Road A61 Titan XD 5.6L (Gas) Cold Air Intake, consult with a Professional Mechanic or contact Z1 Off-Road for more information.

PARTS INCLUDED:

Item	Quantity	Description
1	1	Airbox Assembly
2	1	Intake Tube
3	1	Air Filter
4	1	Fender Grommet
5	1	Throttle Body Coupler
6	1	Throttle Body to Coupler Clamp
7	1	Coupler to Intake Tube Clamp
8	1	Y-Shaped PCV Hose
9	1	PCV Hose Clamp
10	1	MAF Gasket
11	1	MAF Flange
12	2	M4 x 14mm MAF Screws
13	2	Airbox Mounting Grommets (2 sizes)

TOOLS REQUIRED:

- Ratchet
- Ratchet Extension(s)
- 7mm, 8mm, 10mm Socket/Wrenches
- 3mm Hex Bit (Allen Wrench)
- Phillips Head Screwdriver
- Pliers
- Silicone Spray

SAFETY REQUIREMENTS:

- Always wear safety glasses and any necessary protective garments. If using any fluids, chemicals, or solvents, a respirator is recommended.
- Always use properly rated jack stands when working under your vehicle.
- Always keep limbs and parts away from moving drivetrain parts.
- Always turn the ignition to the OFF position and disconnect the NEGATIVE battery terminal.
- Only operate drivetrain in safe space and well-ventilated areas.

BEFORE YOU BEGIN:

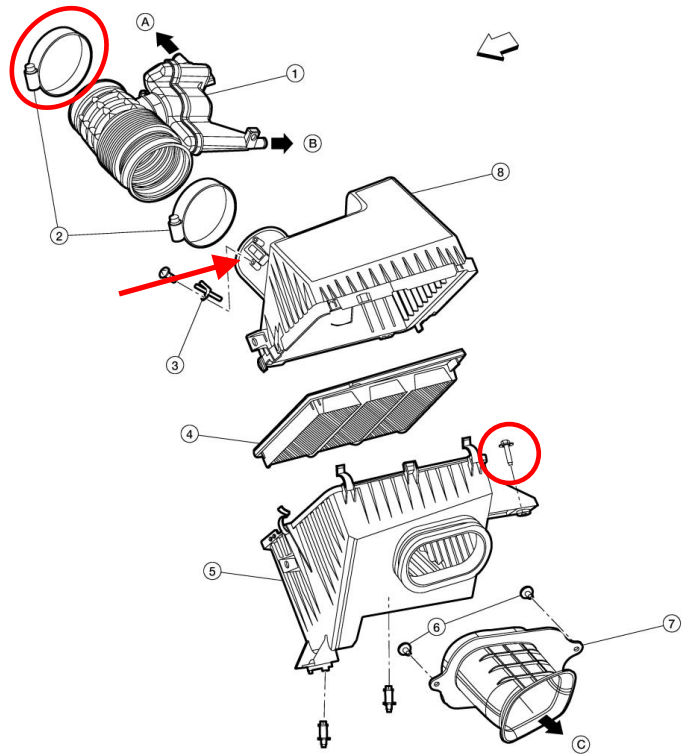
Remove contents from the Z1 Off-Road A61 Titan XD 5.6L (Gas) Cold Air Intake and verify that ALL necessary hardware is present.

The pictures shown in this guide are of a non-XD Titan. The procedure and process are the same, the only difference between the two kits are the grommets are made for each chassis.

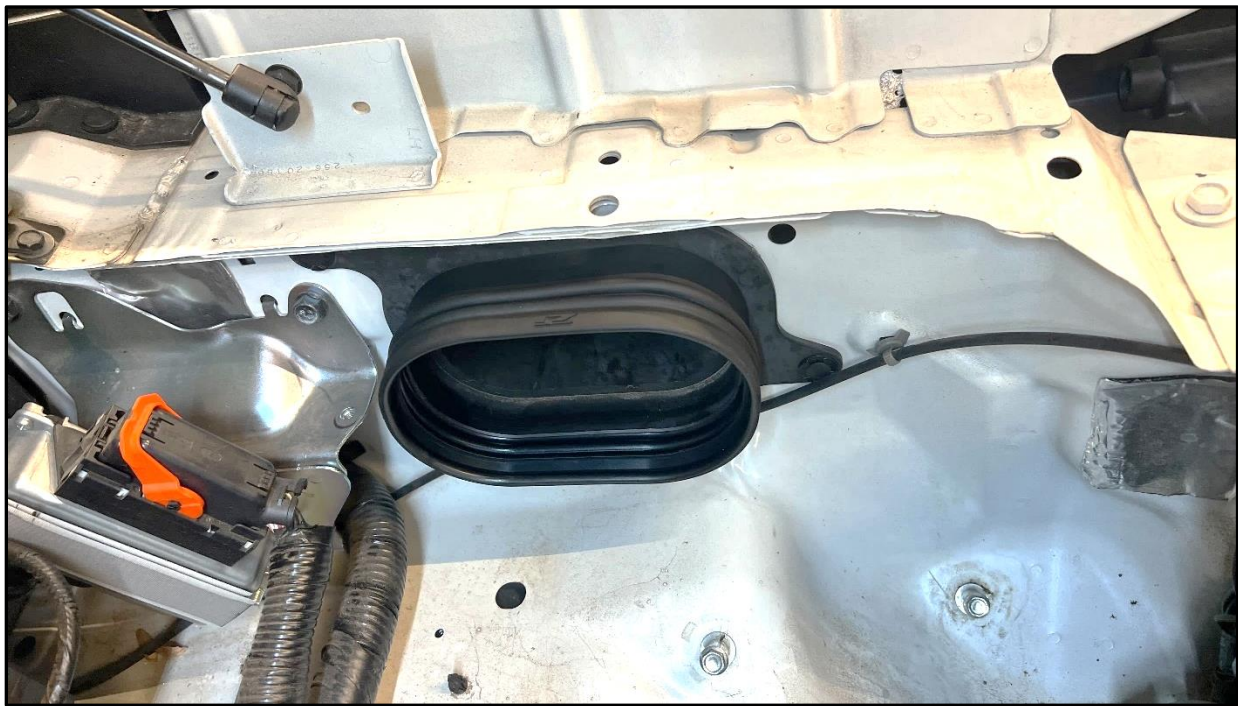
PROCEDURE:

1. Place the transmission in Park position (or in Reverse gear if equipped with a manual transmission). Apply the parking brake.
2. Unlatch and raise vehicle's hood.

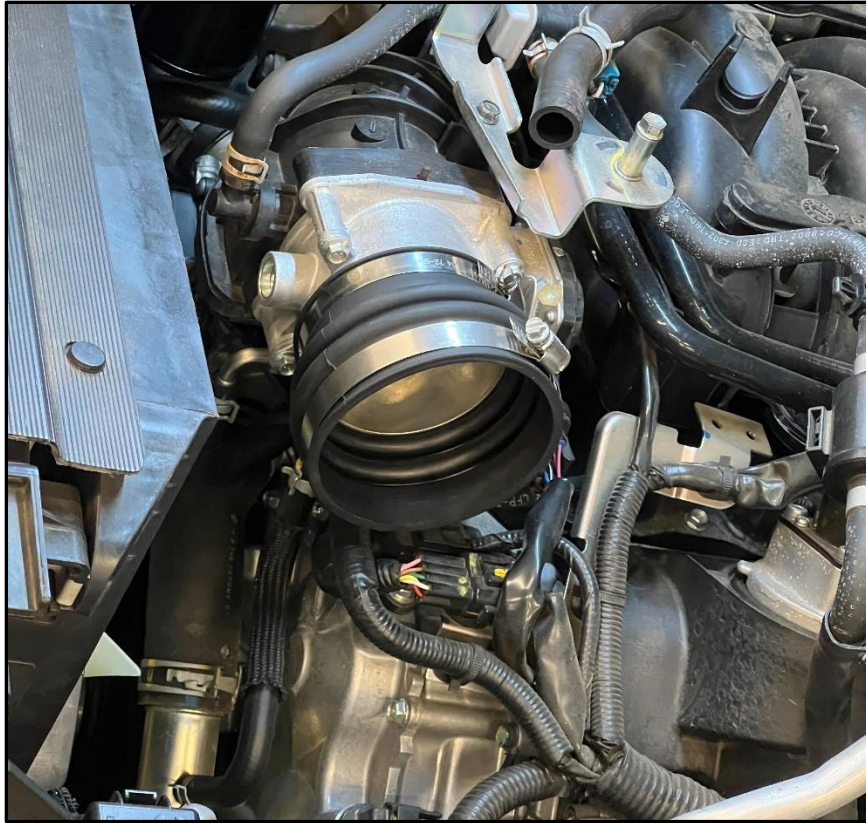
3. If equipped, removed engine cover and set aside.
4. Remove the clamps and (2) PCV hoses connected to the resonance chamber ① on the OEM intake tube. The two ports on the resonance chamber are labeled A and B in the diagram at right.
5. Remove the screw securing the back right corner of the airbox to the chassis (circled at right).
6. Loosen the hose clamp securing the OEM intake tube to the throttle body (circled at right).
7. Disconnect the MAF sensor connector on the OEM intake tube (shown with arrow at right).
8. Carefully pull up on the airbox to remove it from the vehicle.
9. There are (2) grommets on the bottom of the OEM air box that slide over (2) studs on the chassis, you can see the studs in the lower left-hand of the diagram. Once the air box is removed, check the studs to make sure the grommets were removed. Do not remove the studs as they will be used for the Z1 airbox.



10. Locate the Z1 fender grommet (it is the larger oval shaped grommet), throttle body coupler, and both larger hose clamps.
11. Install the fender grommet over the inlet port on the drivers side of the engine bay with the Z1 logo facing up and arrow pointing towards the engine bay (shown below).



12. With both large clamps, install the throttle body coupler onto the throttle body as shown below, tighten clamp on throttle body.



13. Locate Z1 airbox assembly, air filter, and (2) circular airbox grommets. The two small airbox grommets are two different heights.
14. Install circular grommets into the holes on the bottom side of the airbox with the longer air box grommet installed in the bottom corner (shown with arrow below). It is recommended to spray some silicone spray on the grommets if they are tough to install.



15. Install air filter into large opening on airbox, making sure the filter fully seats against the airbox.
16. Remove (2) screws securing the MAF sensor to the OEM intake tube and carefully remove the MAF sensor.

17. Locate Z1 intake tube, MAF gasket, MAF flange, and (2) M4 x 14mm screws.

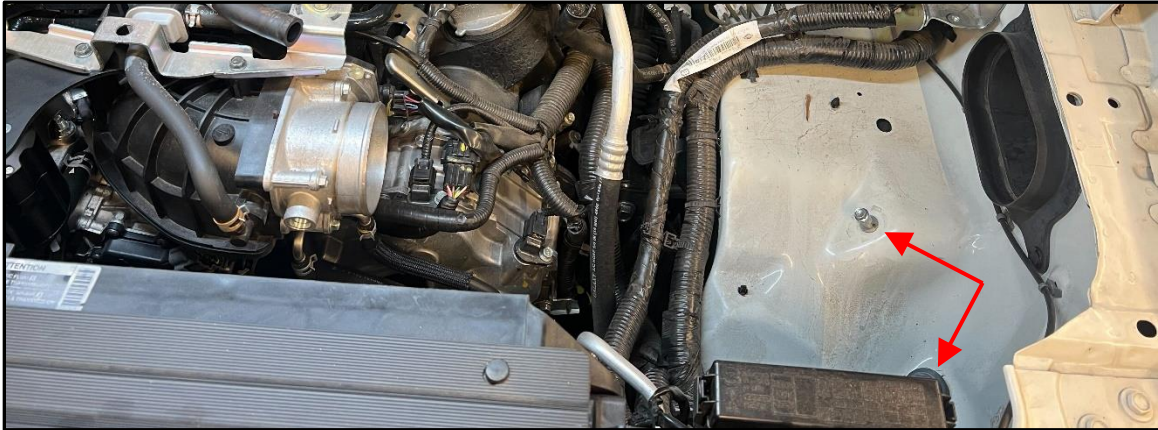
18. Install the MAF sensor that was removed in step # 16 into the Z1 intake tube with the supplied MAF gasket, MAF flange, and (2) M4 screws. The order of parts is rubber MAF gasket -> MAF flange -> MAF sensor -> M4 screws. There is an arrow on the MAF flange indicating the direction of airflow, which will flow from the large opening on the intake tube towards the smaller opening. Please refer to the images below.



19. Install the intake tube assembly into the air filter and air box. If the intake tube is hard to install you may need to loosen the large clamp on the filter and/or use silicone spray. Once installed, tighten the large hose clamp on filter.

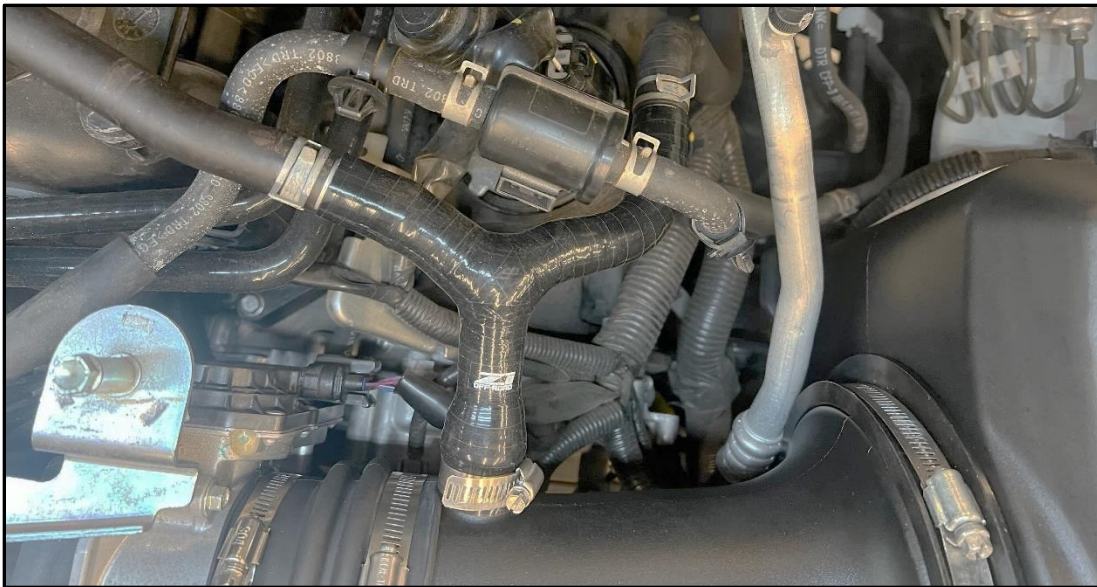


20. Position intake tube and airbox assembly into vehicle, making sure the grommets on the bottom of the air box line up with the studs on the chassis (studs shown with arrow below). Then press down on the airbox to seat the grommets onto the studs.



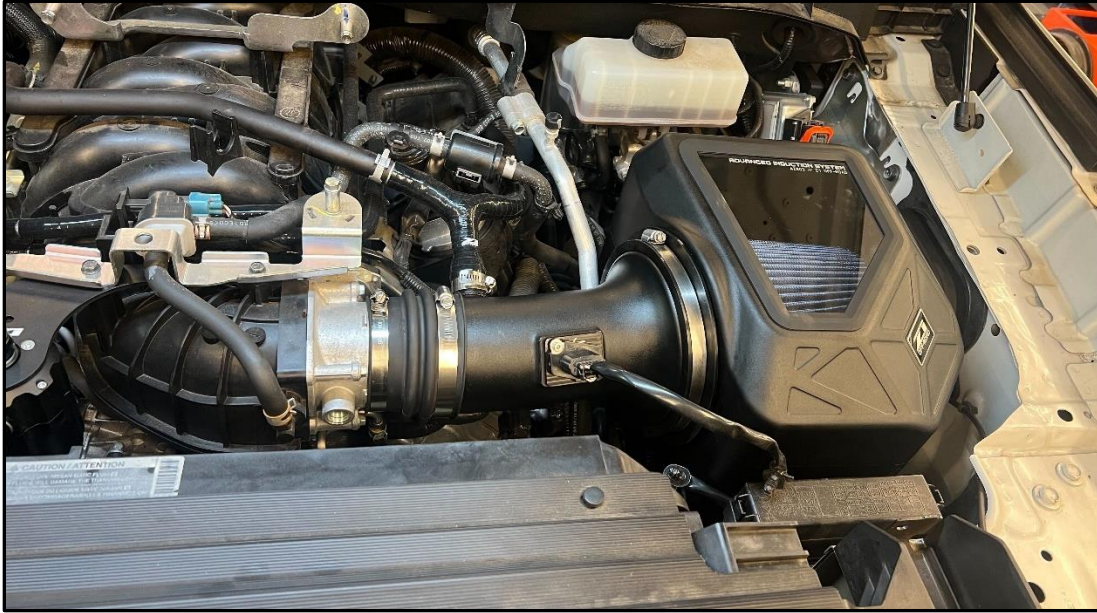
21. Once the airbox is installed onto the studs, install the throttle body coupler and fender grommet onto the air intake tube and airbox. Then, tighten hose clamp on intake tube.

22. Locate Y-shaped PCV hose and small hose clamp. With the supplied clamp, install the PCV hose onto the port on the Z1 intake tube. Then, install the (2) OEM PCV hoses that were removed in step # 4 onto the metal hose barbs on the Z1 PCV hose, secure with the OEM clamps (as shown below).



23. Reconnect MAF sensor connector to MAF sensor.

24. Completed installation of Z1 Off-Road A61 Titan Cold Air Intake should look as shown below (without engine cover).



25. If desired, reinstall engine cover.

26. Inspect vehicle for loose tools/items.

27. Start vehicle. While at idle, check for leaks or faulty operation of Z1 air intake system.

28. Close hood of vehicle and perform final test drive.

END

Additional Technical Support:
Contact Z1 Off-Road at info@z1offroad.com
Or call 678-839-8019 between 9am and 6pm ET