

Z1 2022+ FRONTIER DITCH LIGHT BRACKETS INSTALLATION MANUAL



This Installation Manual is intended for the following models:	
2022+	Nissan Frontier

PROLOGUE:

Study these instructions completely before proceeding to assembly. The installer must have a thorough knowledge of automotive systems operation. If unfamiliar with any of the concepts outlined in this instruction, we recommend the installation be completed by a qualified professional.

WARNING!

Extreme caution should be taken when performing maintenance or performance upgrades to your vehicle. Please observe and abide by any Warning or Caution labels placed on the various components and tools used when servicing your vehicle. If you have any questions regarding installation or the various components included with the Z1 Off-Road D41 Frontier Ditch Light Brackets, consult with a Professional Mechanic or contact Z1 Off-Road for more information.

PARTS INCLUDED:

Item	Quantity	Description
1	1	Ditch Light Bracket - Passenger
2	1	Ditch Light Bracket - Driver

TOOLS REQUIRED:

- Ratchet
- Ratchet Extension(s)
- 13mm Socket
- Torque Wrench

SAFETY REQUIREMENTS:

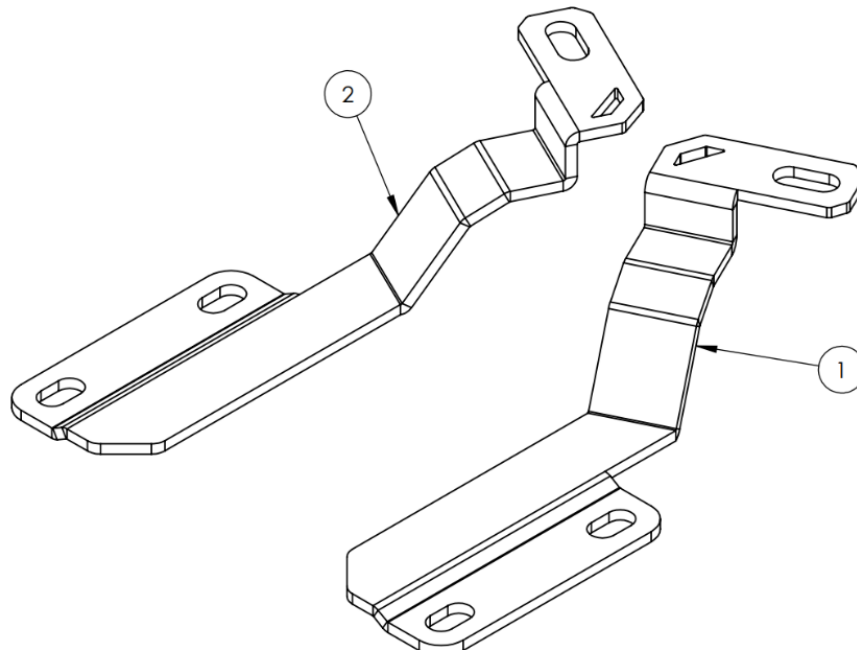
- Always wear safety glasses and any necessary protective garments. If using any fluids, chemicals, or solvents, a respirator is recommended.
- Always use properly rated jack stands when working under your vehicle.
- Always keep limbs and parts away from moving drivetrain parts.
- Always turn the ignition to the OFF position and disconnect the NEGATIVE battery terminal.
- Only operate drivetrain in safe space and well-ventilated areas.

BEFORE YOU BEGIN:

Remove contents from the Z1 Off-Road D41 Frontier Ditch Light Brackets and verify that ALL necessary hardware is present.

PROCEDURE:

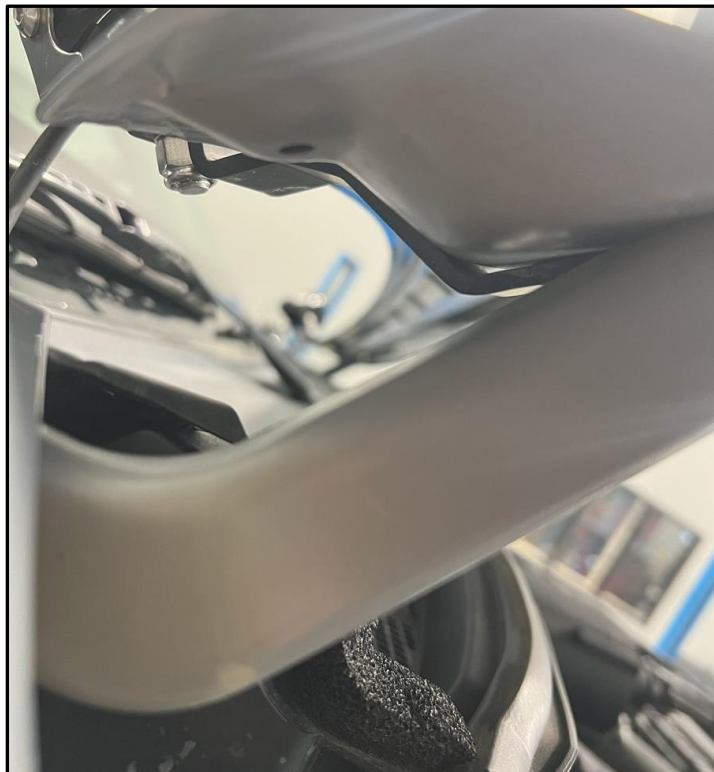
1. Place the transmission in Park position (or in Reverse gear if equipped with a manual transmission). Apply the parking brake.
2. Open hood.
3. Locate the Z1 ditch light brackets. There is a left and right side bracket. In the image below the right (driver) side bracket is ① and the left (passenger) side bracket is ②.



- Starting on either side of the vehicle, remove the (2) nuts on the hinges that secure the hood to the hinge. Be careful after removing the nuts as the hood will likely want to pull away from the hinge. Have a friend hold the hood in place or carefully hold it with one hand while removing the nuts with the other.
- Position the bracket for whatever side of the vehicle you are on, onto the studs. Then loosely reinstall the nuts previously removed.



- The mounting holes on the brackets are slotted to allow for some adjustment and to get the bracket as close to the hood as possible. Once the nuts are installed push the bracket forward then fully tighten the nuts.



7. Repeat steps # 4-6 on the opposite side of the vehicle.
8. Install your ditch lights onto the brackets and route the wiring as you see fit. We opted to tuck it under the weatherstripping on the side and up towards the battery.



9. Close hood and check vehicle for any loose tools/items.
10. Take your vehicle for a test drive.

END

Additional Technical Support:
Contact Z1 Off-Road at info@z1offroad.com
Or call 678-839-8019 between 9am and 6pm ET