

Z1 DITCH LIGHT BRACKETS INSTALLATION MANUAL



This Installation Manual is intended for the following models:

2005-2015	Nissan Xterra
2005-2020	Nissan Frontier

PROLOGUE:

Study these instructions completely before proceeding to assembly. The installer must have a thorough knowledge of automotive systems operation. If unfamiliar with any of the concepts outlined in this instruction, we recommend the installation be completed by a qualified professional.

WARNING!

Extreme caution should be taken when performing maintenance or performance upgrades to your vehicle. Please observe and abide by any Warning or Caution labels placed on the various components and tools used when servicing your vehicle. If you have any questions regarding installation or the various components included with the Z1 Off-Road Ditch Light Brackets, consult with a Professional Mechanic or contact Z1 Off-Road for more information.

PARTS INCLUDED:

Item	Quantity	Description
1	1	Z1 Ditch Light Brackets, Driver Side
2	1	Z1 Ditch Light Brackets, Passenger Side

TOOLS REQUIRED:

- Ratchet
- 10mm Socket/Wrench

SAFETY REQUIREMENTS:

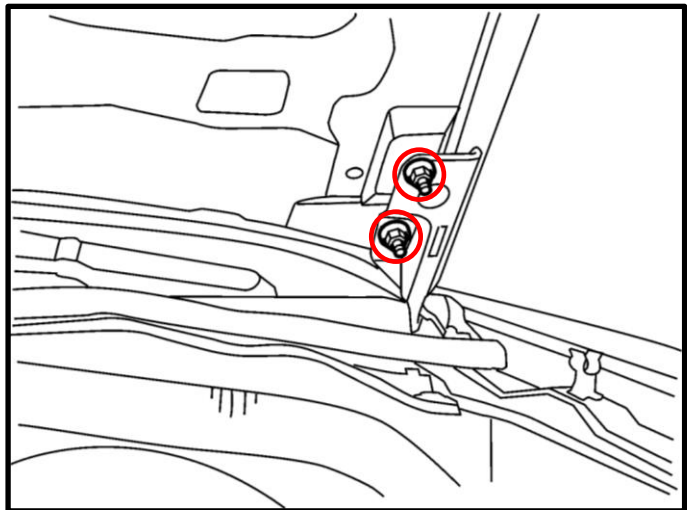
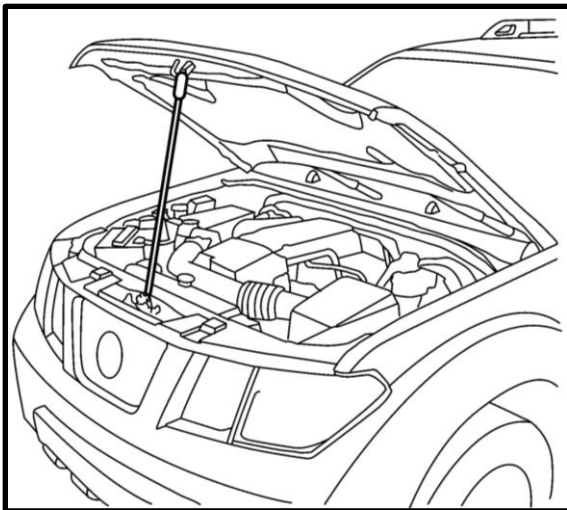
- Always wear safety glasses and any necessary protective garments. If using any fluids, chemicals, or solvents, a respirator is recommended.
- Always use properly rated jack stands when working under your vehicle.
- Always keep limbs and parts away from moving drivetrain parts.
- Always turn the ignition to the OFF position and disconnect the NEGATIVE battery terminal.
- Only operate drivetrain in safe space and well-ventilated areas.

BEFORE YOU BEGIN:

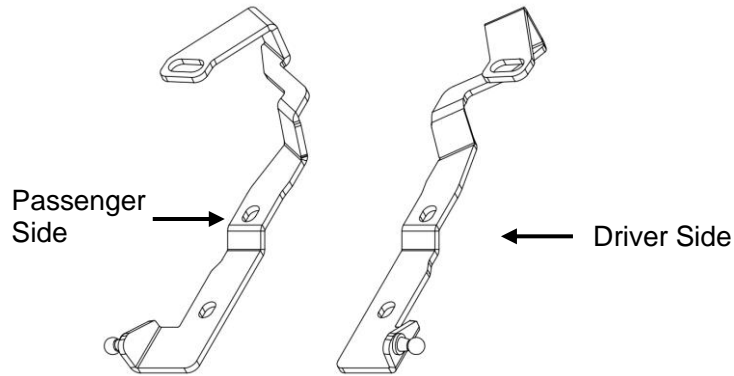
Remove contents from the Z1 Off-Road Ditch Light Brackets and verify that ALL necessary hardware is present.

PROCEDURE:

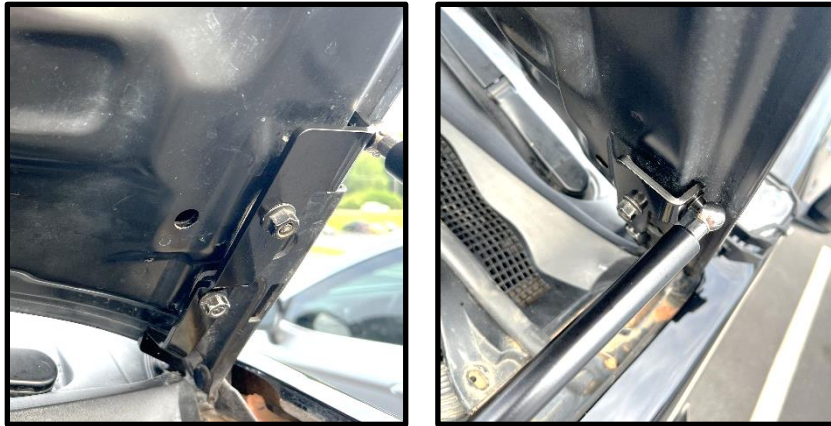
1. Place the transmission in Park position (or in Reverse gear if equipped with a manual transmission). Apply the parking brake.
2. Unlatch and raise vehicle's hood. Apply hood prop.
3. Remove 2 nuts on driver side of vehicle securing hood hinge to hood (circled below).



4. Locate driver side ditch light bracket.



5. Position the driver side bracket in place with the top mounting surface routing up and around the rear edge of the hood. Secure driver side bracket to studs on hood with the hardware removed in step #3. Torque nuts to 9ft-lbs.



Note: The picture above is shown with the [Z1 Off-Road Xterra Hood Struts \(Frontier available here\)](#). If you have these hood struts, attach the strut to the ball-end on the bracket at this stage.

6. Repeat steps # 3-5 on passenger side of vehicle.
7. Once both brackets are mounted, you can install the ditch lights of your choosing per the manufacturers instructions.



END

Additional Technical Support:
Contact Z1 Off-Road at info@z1offroad.com
Or call 678-839-8019 between 9am and 6pm ET