

# Z1 FRONTIER BED RACK INSTALLATION MANUAL



This Installation Manual is intended for the following models:	
2005-2021	Nissan Frontier (Short bed Models Only)
2022+	Nissan Frontier (Short bed Models Only)

## PROLOGUE:

Study these instructions completely before proceeding to assembly. The installer must have a thorough knowledge of automotive systems operation. If unfamiliar with any of the concepts outlined in this instruction, we recommend the installation be completed by a qualified professional.

## WARNING!

Extreme caution should be taken when performing maintenance or performance upgrades to your vehicle. Please observe and abide by any Warning or Caution labels placed on the various components and tools used when servicing your vehicle. If you have any questions regarding installation or the various components included with the Z1 Off-Road Frontier Bed Rack, consult with a Professional Mechanic or contact Z1 Off-Road for more information.

## **PARTS INCLUDED:**

Item	Quantity	Description
1	1	Left Side Frame
2	1	Right Side Frame
3	1	Lighting Cross Slat
4	1	Cross Slat
5	4	Bed Side Clamp
6	4	Clamp Backing Plate
7	4	Joiner
8	4	Vertical Slot Bracket
9	2	Horizontal Slot Bracket
10	8	M8 x 1.25 Button Head Screw, 35mm
11	32	M8 x 1.25 Button Head Screw, 20mm
12	12	M6 x 1.0 Button Head Screw, 14mm
13	12	M6 x 1.0 Serrated Flange Locknut

## **TOOLS REQUIRED:**

- Ratchet
- Ratchet Extension(s)
- Assorted Metric Sockets (up to 21mm)
- Assorted Metric Wrenches (up to 21mm)
- 4mm Hex/Allen Socket
- 5mm Hex/Allen Socket

## **SAFETY REQUIREMENTS:**

- Always wear safety glasses and any necessary protective garments. If using any fluids, chemicals, or solvents, a respirator is recommended.
- Always use properly rated jack stands when working under your vehicle.
- Always keep limbs and parts away from moving drivetrain parts.
- Always turn the ignition to the OFF position and disconnect the NEGATIVE battery terminal.
- Only operate drivetrain in safe space and well-ventilated areas.

## **BEFORE YOU BEGIN:**

Remove contents from the Z1 Off-Road Frontier Bed Rack and verify that ALL necessary hardware is present.

## PROCEDURE:

1. Place the transmission in Park position (or in Reverse gear if equipped with a manual transmission). Apply the parking brake.
2. Locate the Cross Slat, (2) two Joiners, and (8) eight M8 x 1.25 Button Head Screws, 20mm. Position the Joiners into the Cross Slat as seen in *Figure 1* below. Using (4) four M8 x 1.25 Button Head Screws per side, attach the Joiners to the Cross Slat Frame and loosely thread in the M8 x 1.25 Screws.

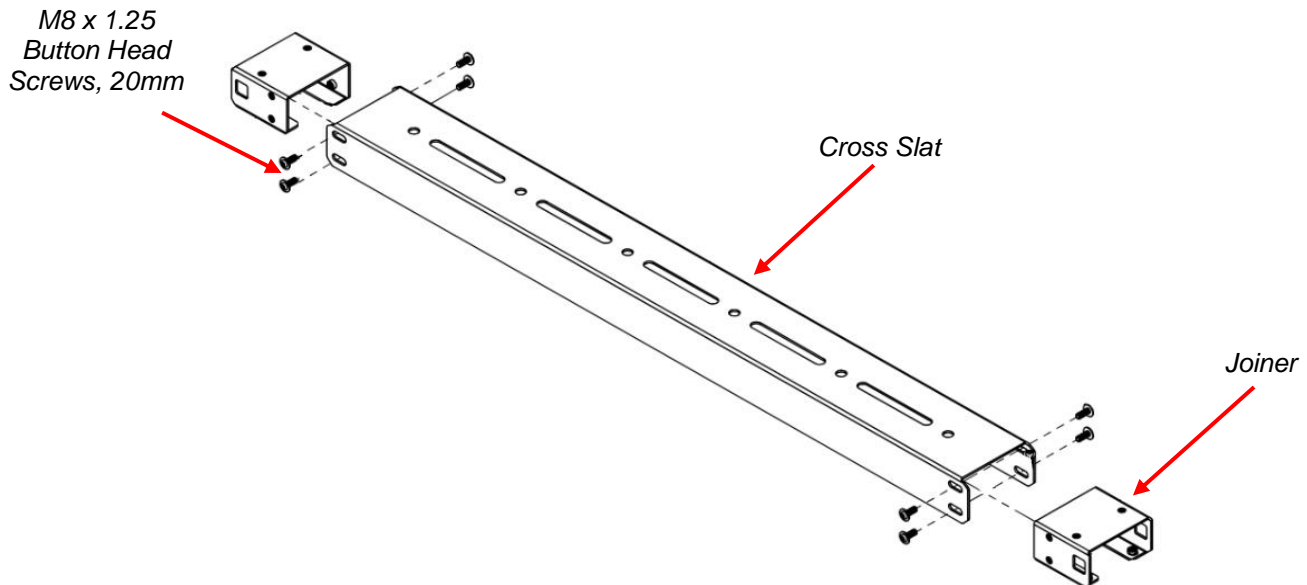


Figure 1

3. Repeat *Step 2* for the Lighting Cross Slat. Locate the Lighting Cross Slat, (2) two Joiners, and (8) eight M8 x 1.25 Button Head Screws, 20mm. Position the Joiner into the Lighting Cross Slat as seen in *Figure 2* below. Using (4) four M8 x 1.25 Button Head Screws per side, attach the Joiners to the Lighting Cross Slat and loosely thread in the M8 x 1.25 Screws.

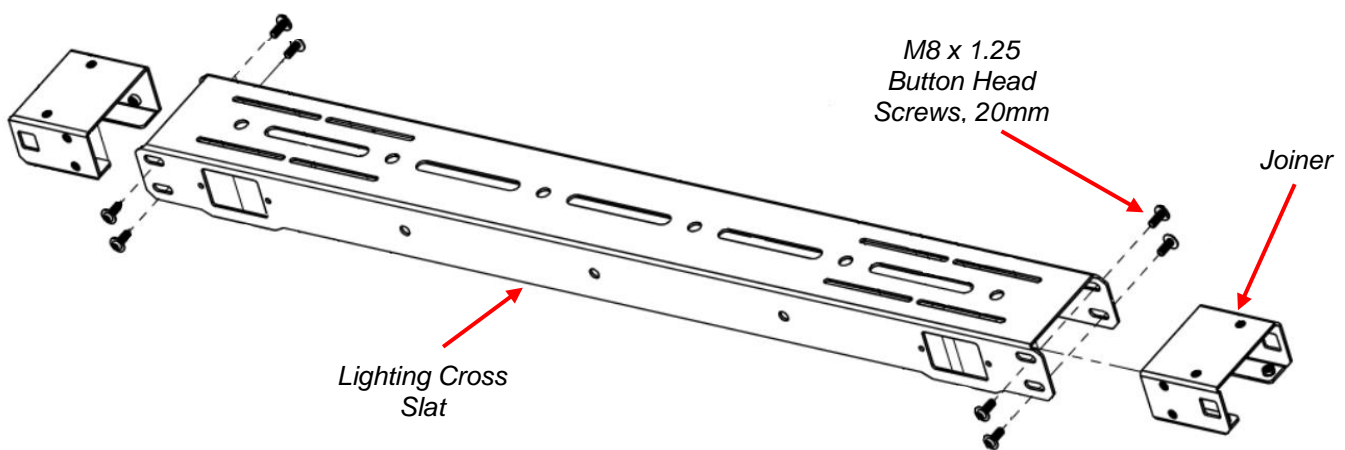


Figure 2

4. Locate the Cross Slat with Joiners, and (4) four M8 x 1.25 Button Head Screws, 20mm. Place the Cross Slat with Joiner on the front of the Right Side Frame and secure with the M8 x 1.25 Button Head Screws. The M8 x 1.25 Button Head Screws from the Right Side Frame to the Joiner can be tightened once positioned. See Figure 3 below.

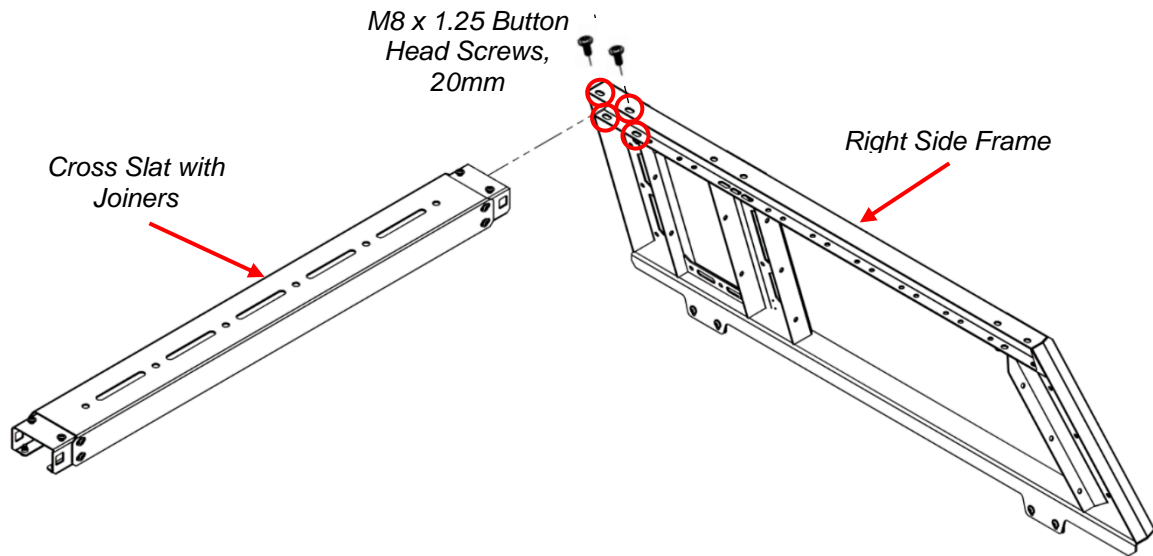


Figure 3

5. Locate the Lighting Cross Slat with Joiners, and (4) four M8 x 1.25 Button Head Screws, 20mm. Place the Lighting Cross Slat with Joiner on the rear of the Right Side Frame and secure with the M8 x 1.25 Button Head Screws. The M8 x 1.25 Button Head Screws from the Right Side Frame to the Joiner can be tightened once positioned.

**NOTE:** The Lighting Cross Slat can be oriented in any way depending on usage of a light bar or pods.

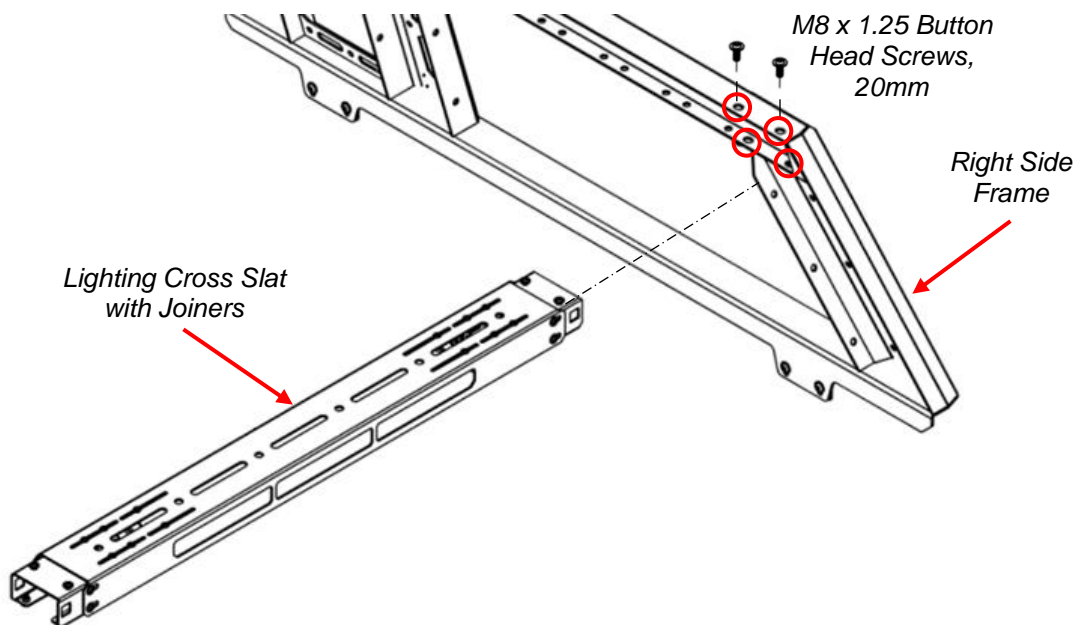


Figure 4

6. Attach the Left Side Frame to the other ends of the Cross Slat and Lighting Cross Slat. Using (8) eight M8 x 1.25 Button Head Screws, secure the Joiners to the Left Side Frame. View *Figure 5* below for visualization of assembly.



*Figure 5*

**NOTE:** It is recommended to do this step with (2) two or more people.

7. With the help of one or more people, lift the Bed Rack onto your truck bed. View *Figure 6*.



*Figure 6*

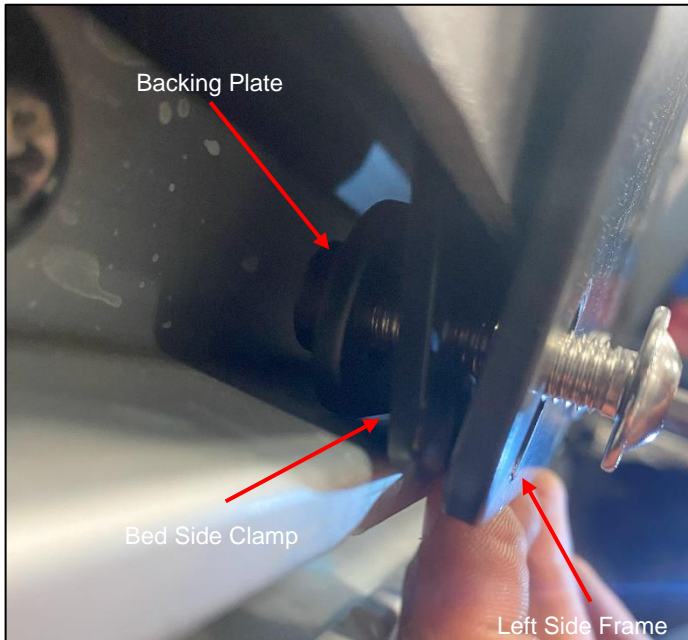
8. Adjust the Right and Left Side frames into their final position. Make sure to pay attention to the location of the Tail Gate when closed.
9. Locate (4) four Bed Side Clamps, (4) four Clamp Backing Plates, and (8) eight M8 x 1.25 Button Head Screws, 35mm. Use *Figure 7* below as a reference for the order.



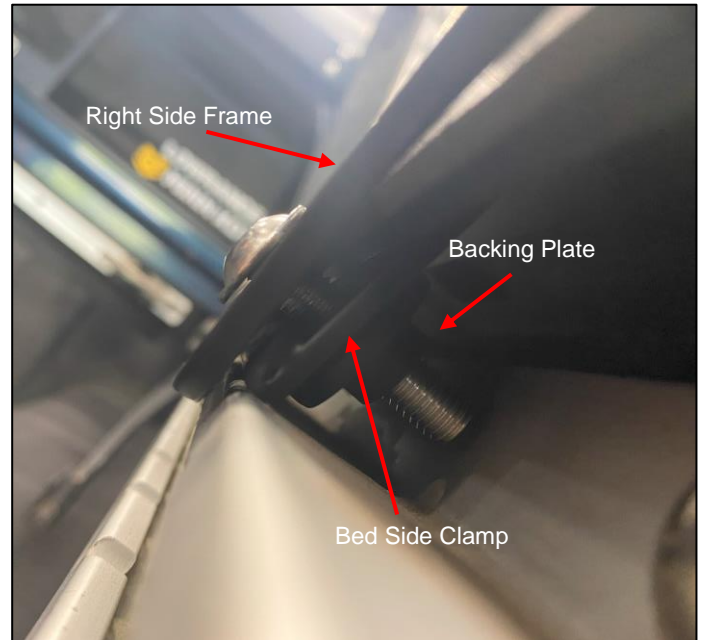
*Figure 7*

10. Place the Bed Side Clamp and Backing plate behind each mounting point on the Left and Right Side Frames.
11. Once positioned, add (2) two M8 x 1.25 Button Head Screws, 35mm to each Bed Side Clamp and Backing Plate.

**NOTE:** It may help to add pressure from underneath the Backing Plate to position it correctly. Take note of *Figure 8* and *Figure 9* below for correct fitment.



*Figure 8*



*Figure 9*



*Figure 10: Installed Bed Side Clamp and Backing Plate*

12. Make final adjustments of the Cross Slat and Lighting Cross Slat and tighten the M8 x 1.25 Button Head Screws. This will finish and secure the main Bed Rack. *Steps 13-15* are optional if you want to add the Horizontal or Vertical Slot Brackets for the addition of a light bar or pods. *Figure 11*.



Figure 11

13. On the Lighting Cross Slat, determine which Slot Brackets are needed for your Light Bar or Pod Install.
14. Using the supplied M6 x 1.0 Button Head Screws, and the M6 x 1.0 Serrated Flange Locknuts, mount the Horizontal or Vertical Slot Brackets as necessary. Use *Figure 12* below as a reference for positioning.

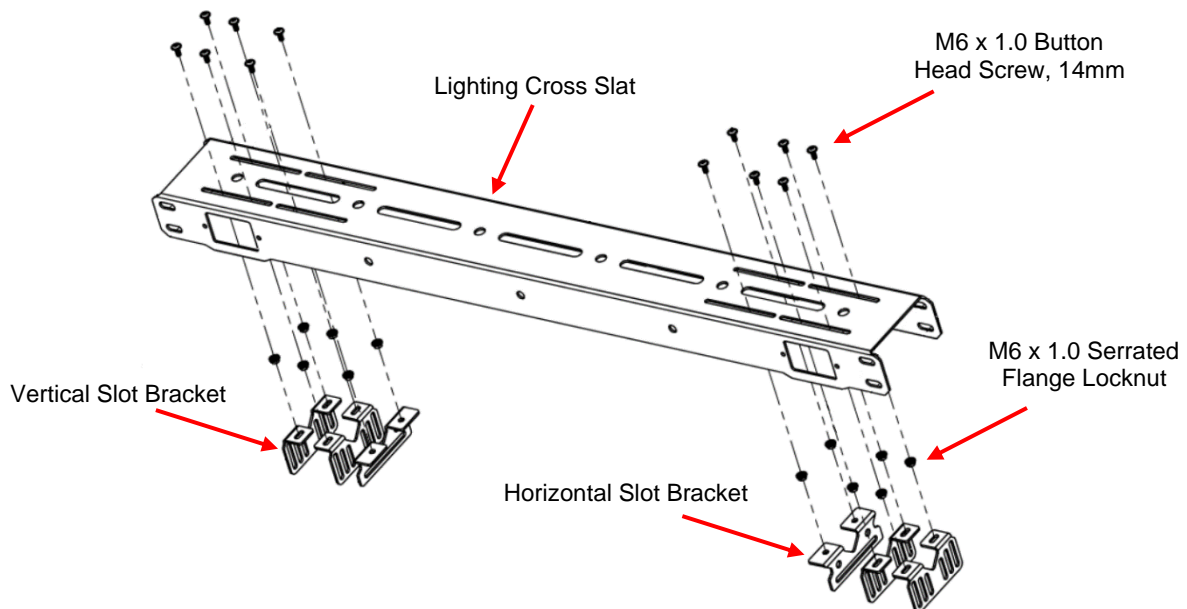


Figure 12



15. Install Light Bar or Pods now using their supplied instructions if applicable.

16. Your Z1 Frontier Bed Rack is now installed. Take your car for a test drive.



*Installed Z1 Frontier Bed Rack*

**END**

**Additional Technical Support:**  
Contact Z1 Off-Road at [info@z1offroad.com](mailto:info@z1offroad.com)  
Or call 678-839-8019 between 9am and 6pm ET