

Z1 A61 TITAN GAS TANK SKID PLATE INSTALLATION MANUAL



This Installation Manual is intended for the following models:

2016+

Nissan Titan

PROLOGUE:

Study these instructions completely before proceeding to assembly. The installer must have a thorough knowledge of automotive systems operation. If unfamiliar with any of the concepts outlined in this instruction, we recommend the installation be completed by a qualified professional.

WARNING!

Extreme caution should be taken when performing maintenance or performance upgrades to your vehicle. Please observe and abide by any Warning or Caution labels placed on the various components and tools used when servicing your vehicle. If you have any questions regarding installation or the various components included with the Z1 Off-Road A61 Titan Gas tank Cover, consult with a Professional Mechanic or contact Z1 Off-Road for more information.

PARTS INCLUDED:

Item	Quantity	Description
1	1	Z1 Gas Tank Cover
2	4	Gas Tank Cover Side Mounting Brackets
3	4	M8 x 30mm Bolt
4	8	M10 x 30mm Bolt

TOOLS REQUIRED:

- Hydraulic Jack
- (2) 2-Ton (or greater) Jack Stands
- Ratchet
- Ratchet Extension(s)
- Assorted Metric Sockets (up to 21mm)
- Assorted Metric Wrenches (up to 21mm)
- Torque Wrench

SAFETY REQUIREMENTS:

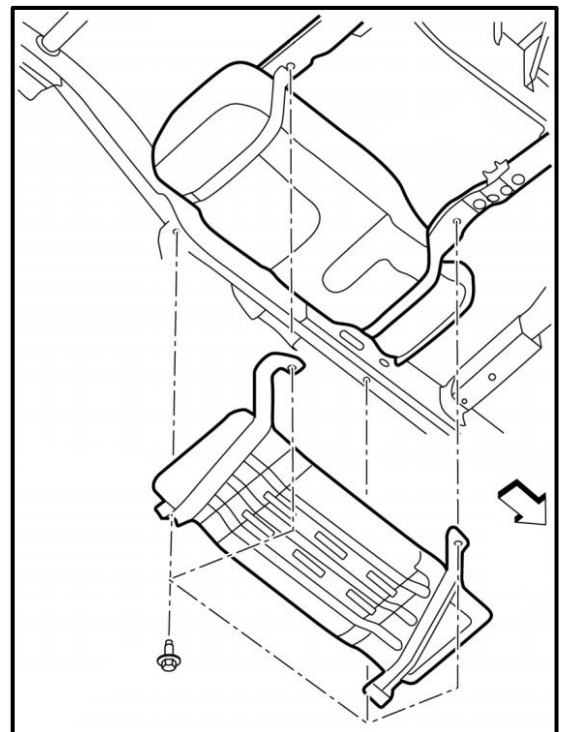
- Always wear safety glasses and any necessary protective garments. If using any fluids, chemicals, or solvents, a respirator is recommended.
- Always use properly rated jack stands when working under your vehicle.
- Always keep limbs and parts away from moving drivetrain parts.
- Always turn the ignition to the OFF position and disconnect the NEGATIVE battery terminal.
- Only operate drivetrain in safe space and well-ventilated areas.

BEFORE YOU BEGIN:

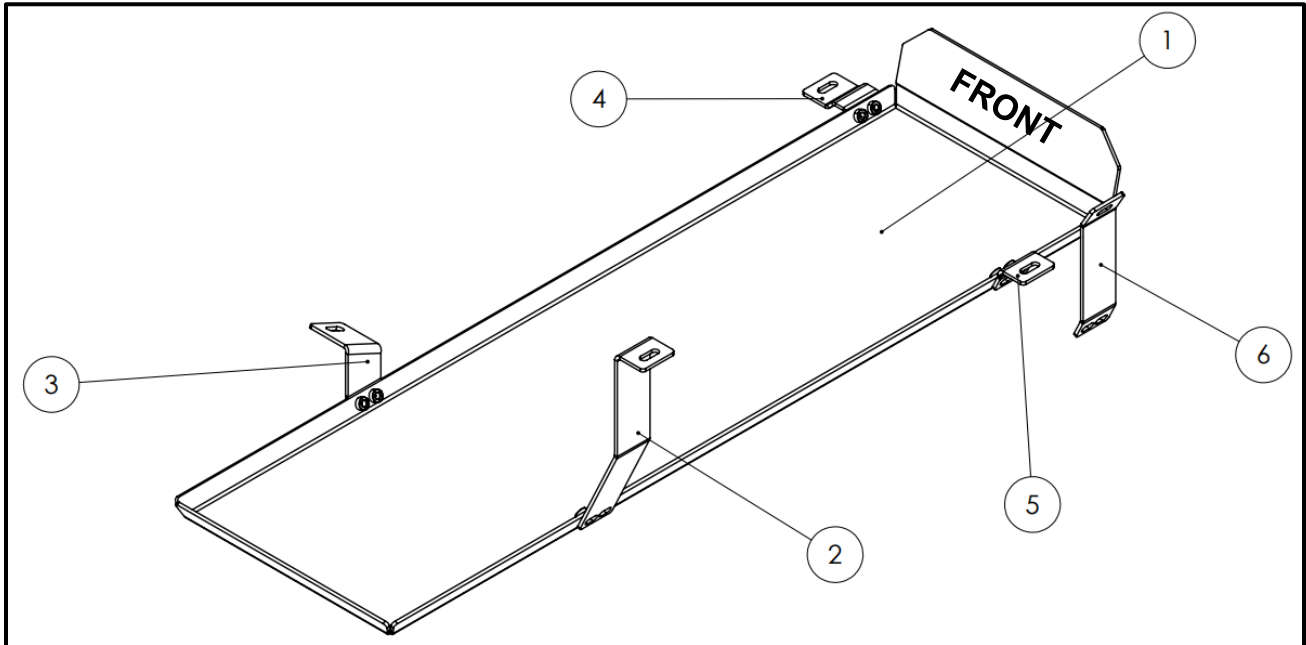
Remove contents from the Z1 Off-Road A61 Titan Gas tank Cover and verify that ALL necessary hardware is present.

PROCEDURE:

1. Place the transmission in Park position (or in Reverse gear if equipped with a manual transmission). Apply the parking brake.
2. Locate proper jacking points on vehicle's chassis (refer to vehicle's Owner Manual). Raise and support vehicle using jack & jack stands.
3. Remove the OEM gas tank cover by removing the 4 bolts securing it to the vehicle.
4. Locate the Z1 Off-Road Gas Tank Cover, (8) M10 bolts, and all (4) side mounting brackets.



- Using the image below as reference, loosely attach the (4) mounting brackets to the gas tank cover using (2) M10 bolts on each. Leave the bolts loose so you can make slight adjustments once the cover is bolted up. Depending on your model year, you will receive either bracket (5) or (6).



- Position the cover on the vehicle with the and loosely attach each bracket to the vehicle using the (4) supplied M8 bolts.
- Once the cover is attached to the vehicle, position it where you would like and tighten all bolts on each bracket.
- Completed installation of the Z1 Off-Road Titan Gas Tank Cover should look as shown at right.
- Inspect vehicle for loose tools/items.
- Properly lower vehicle from jack stands.
- Perform a final test drive of the vehicle.



END

Additional Technical Support:
Contact Z1 Off-Road at info@z1offroad.com
Or call 678-839-8019 between 9am and 6pm ET