

Z1 A61 TITAN OIL PAN SKID PLATE INSTALLATION MANUAL



This Installation Manual is intended for the following models:

2016+

Nissan Titan

PROLOGUE:

Study these instructions completely before proceeding to assembly. The installer must have a thorough knowledge of automotive systems operation. If unfamiliar with any of the concepts outlined in this instruction, we recommend the installation be completed by a qualified professional.

WARNING!

Extreme caution should be taken when performing maintenance or performance upgrades to your vehicle. Please observe and abide by any Warning or Caution labels placed on the various components and tools used when servicing your vehicle. If you have any questions regarding installation or the various components included with the Z1 Off-Road A61 Titan Oil pan Cover, consult with a Professional Mechanic or contact Z1 Off-Road for more information.

PARTS INCLUDED:

Item	Quantity	Description
1	1	Z1 Oil Pan Cover – Main Panel
2	1	Z1 Oil Pan Cover – Service Panel
3	4	M8 x 30mm Bolt
4	2	M10 x 25mm Bolt
5	1	M10 Flange Nut
6	4	M6 x 25mm Bolt

TOOLS REQUIRED:

- Hydraulic Jack
- (2) 2-Ton (or greater) Jack Stands
- Ratchet
- Ratchet Extension(s)
- Assorted Metric Sockets (up to 21mm)
- Assorted Metric Wrenches (up to 21mm)
- Torque Wrench

SAFETY REQUIREMENTS:

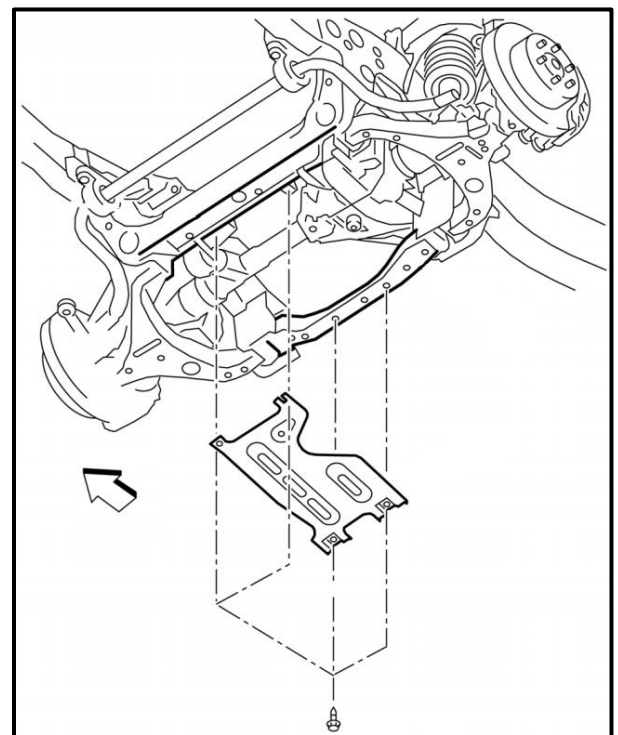
- Always wear safety glasses and any necessary protective garments. If using any fluids, chemicals, or solvents, a respirator is recommended.
- Always use properly rated jack stands when working under your vehicle.
- Always keep limbs and parts away from moving drivetrain parts.
- Always turn the ignition to the OFF position and disconnect the NEGATIVE battery terminal.
- Only operate drivetrain in safe space and well-ventilated areas.

BEFORE YOU BEGIN:

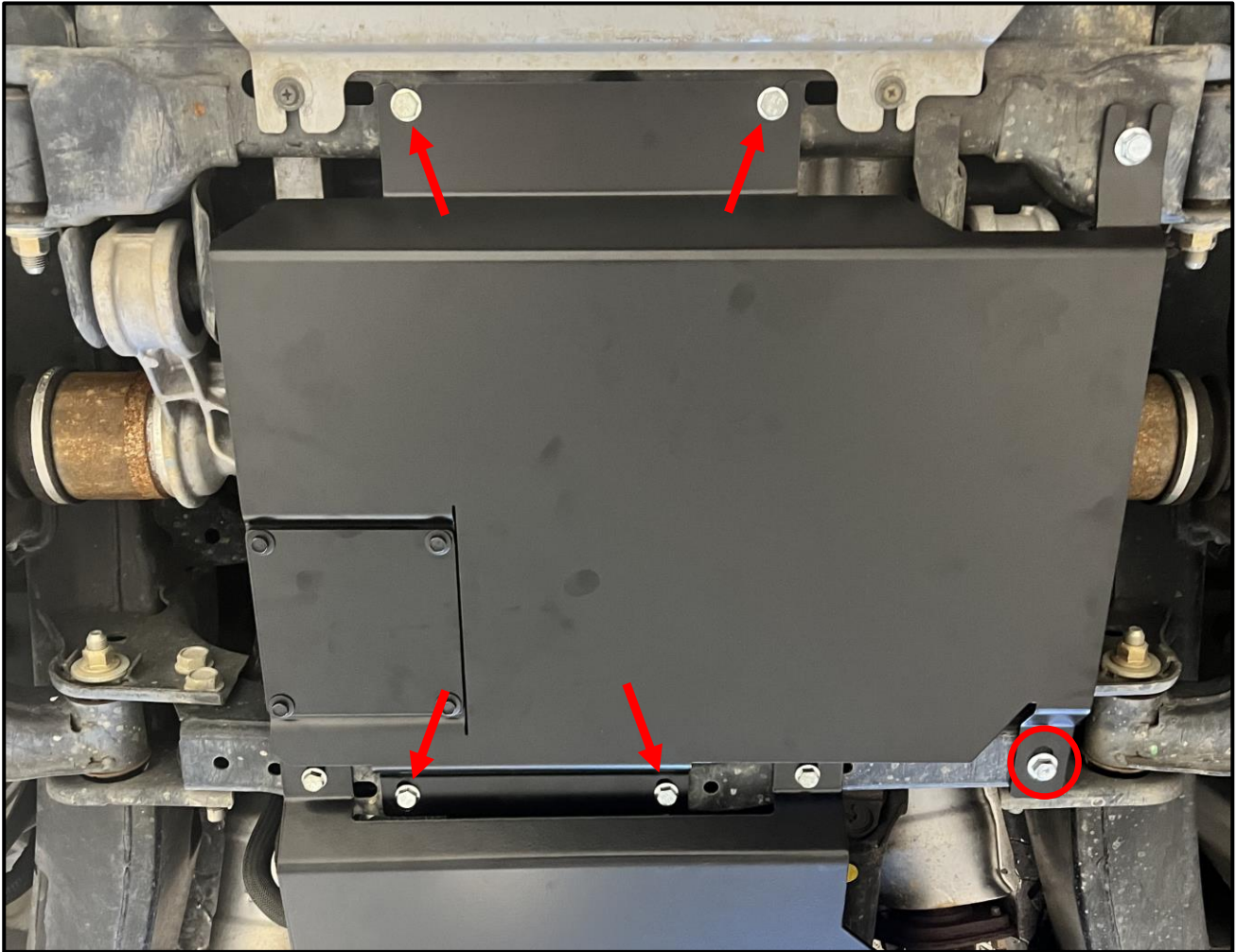
Remove contents from the Z1 Off-Road A61 Titan Oil pan Cover and verify that ALL necessary hardware is present.

PROCEDURE:

1. Place the transmission in Park position (or in Reverse gear if equipped with a manual transmission). Apply the parking brake.
2. Locate proper jacking points on vehicle's chassis (refer to vehicle's Owner Manual). Raise and support vehicle using jack & jack stands.
3. Remove the OEM engine oil pan cover by removing the 4 bolts securing it to the vehicle.
4. Locate the Z1 Off-Road Oil Pan Cover main panel, service panel, and (4) M6 x 25mm SEMS bolts.
5. Attach the service panel to the main panel with the (4) M6 screws.



6. Attach the cover assembly to the vehicle using (4) supplied M8 x 30mm bolts in the same mounting holes that the OEM cover used.



Note: Hardware used in the images in this guide were samples and may differ from production.

7. Install (1) supplied M10 x 25mm bolt in the rearward mounting hole on the driver side (circled above).
8. Position (1) supplied M10 flange nut above the forward mounting hole and secure with the remaining M10 x 25mm bolt.
9. Inspect vehicle for loose tools/items.
10. Properly lower vehicle from jack stands.
11. Perform a final test drive of the vehicle.

END

Additional Technical Support:
Contact Z1 Off-Road at info@z1offroad.com
Or call 678-839-8019 between 9am and 6pm ET