

Z1 300ZX MASTER HOSE SET INSTALLATION MANUAL



This Installation Manual is intended for the following models:

1990-1996

Nissan 300ZX (Z32)

PROLOGUE:

Study these instructions completely before proceeding to assembly. The installer must have a thorough knowledge of automotive systems operation. If unfamiliar with any of the concepts outlined in this instruction, we recommend the installation be completed by a qualified professional.

WARNING!

Extreme caution should be taken when performing maintenance or performance upgrades to your vehicle. Please observe and abide by any Warning or Caution labels placed on the various components and tools used when servicing your vehicle. If you have any questions regarding installation or the various components included with the Z1 Motorsports 300ZX Master Hose Set, consult with a Professional Mechanic, or contact Z1 Motorsports for more information.

PARTS INCLUDED:

Item	Quantity	Description
1	2	Radiator Hose
2	2	Brake Booster Hose
3	1	Radiator Overflow Hose
4	5	PCV Hose
5	4	IAA Hose
6	2	Heater Hose
7	2	Power Steering Return Hose
8	1	Power Steering Hose

SAFETY REQUIREMENTS:

- Always wear safety glasses and any necessary protective garments. If using any fluids, chemicals, or solvents, a respirator is recommended.
- Always turn the ignition to the OFF position and disconnect the NEGATIVE battery terminal.
- Always use properly rated jack stands when working under your vehicle.
- Always keep limbs and parts away from moving drivetrain parts.
- Only operate drivetrain in safe space and well-ventilated areas.

BEFORE YOU BEGIN:

Remove contents from the Z1 Motorsports 300ZX Master Hose Set and verify that ALL necessary hardware is present.

TABLE OF CONTENTS:

RADIATOR HOSE SET: 4
BRAKE BOOSTER HOSE SET: 5
RADIATOR OVERFLOW HOSE: 6
PCV HOSE SET: 7
IAA HOSE SET: 8
HEATER HOSE SET: 9
POWER STEERING RETURN HOSE: 10
POWER STEERING HOSE: 11

RADIATOR HOSE SET:

1. Locate the Z1 Radiator Hose Set, containing (2) two hoses, shown below in *Figure 1*.



Figure 1

2. Remove the OE Radiator Hoses, and replace them with the Z1 Radiator Hoses according to *Figure 1* above and *Figure 2* below. Refill and bleed Coolant System in accordance with the Factory Service Manual.

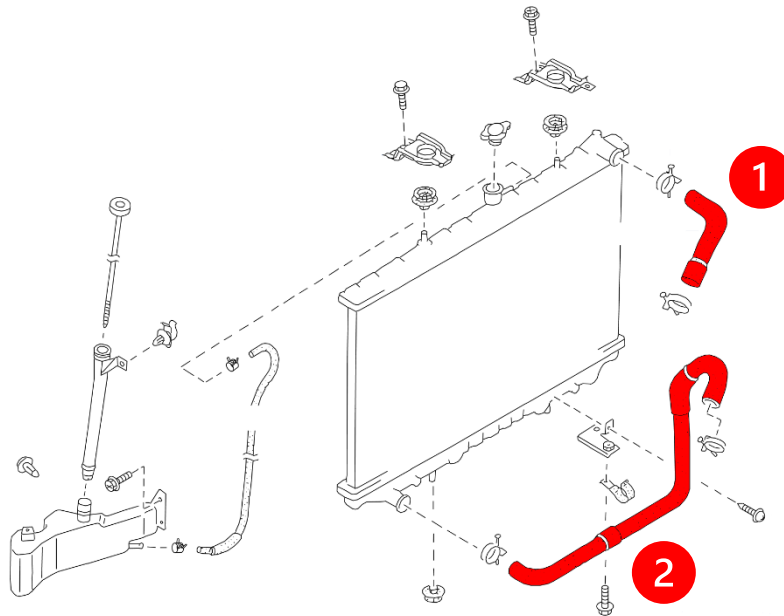


Figure 2

BRAKE BOOSTER HOSE SET:

3. Locate the Z1 Brake Booster Hose Set, containing (2) two hoses, shown below in *Figure 3*.

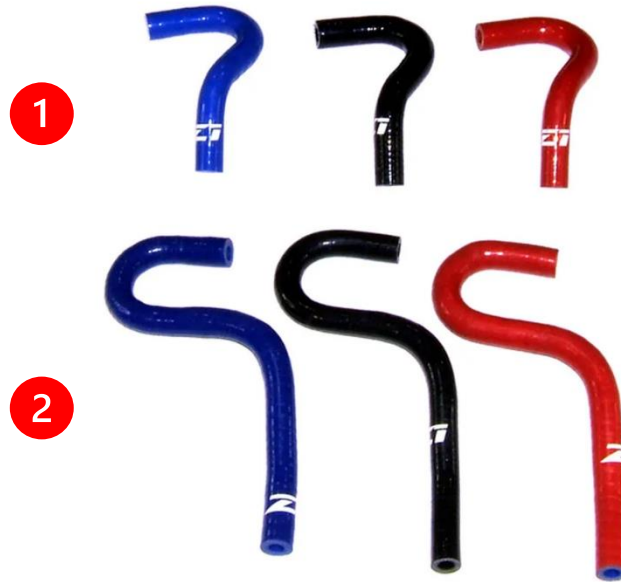


Figure 3

4. Remove the OE Radiator Hoses, and replace them with the Z1 Brake Booster Hoses according to *Figure 3* above and *Figure 4* below.

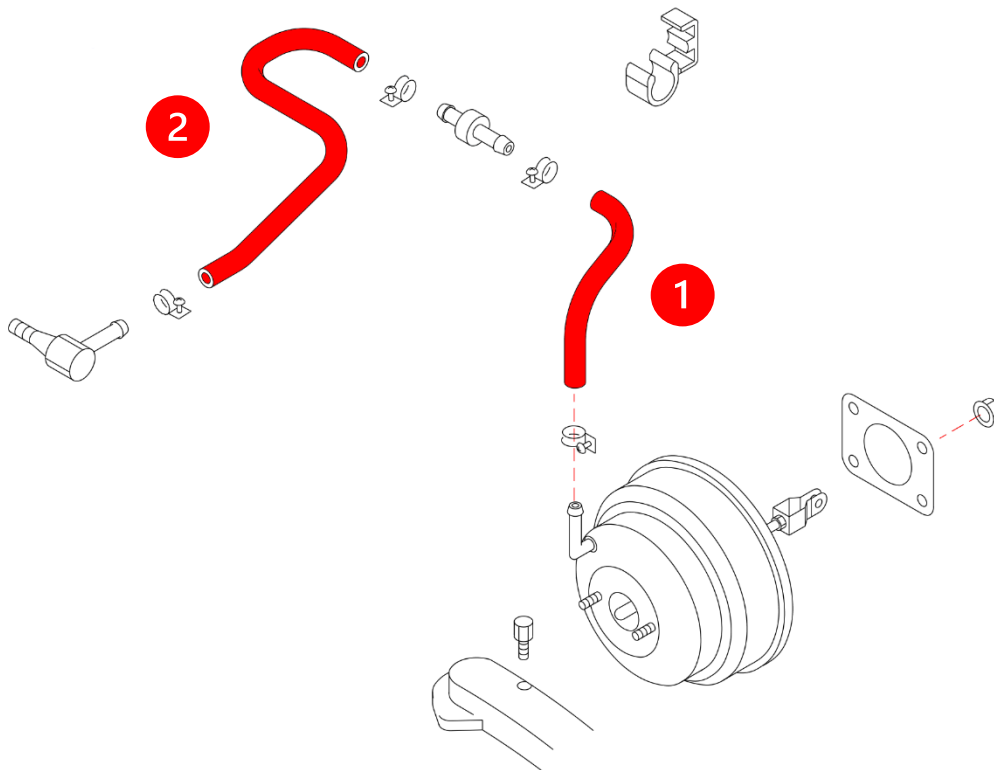


Figure 4

RADIATOR OVERFLOW HOSE:

5. Locate the Z1 Radiator Overflow Hose, shown below in *Figure 5*.



Figure 5

6. Remove the OE Radiator Overflow Hose, and replace it with the Z1 Radiator Overflow Hose according to *Figure 5* above and *Figure 6* below. Refill and bleed Coolant System in accordance with the Factory Service Manual if necessary.

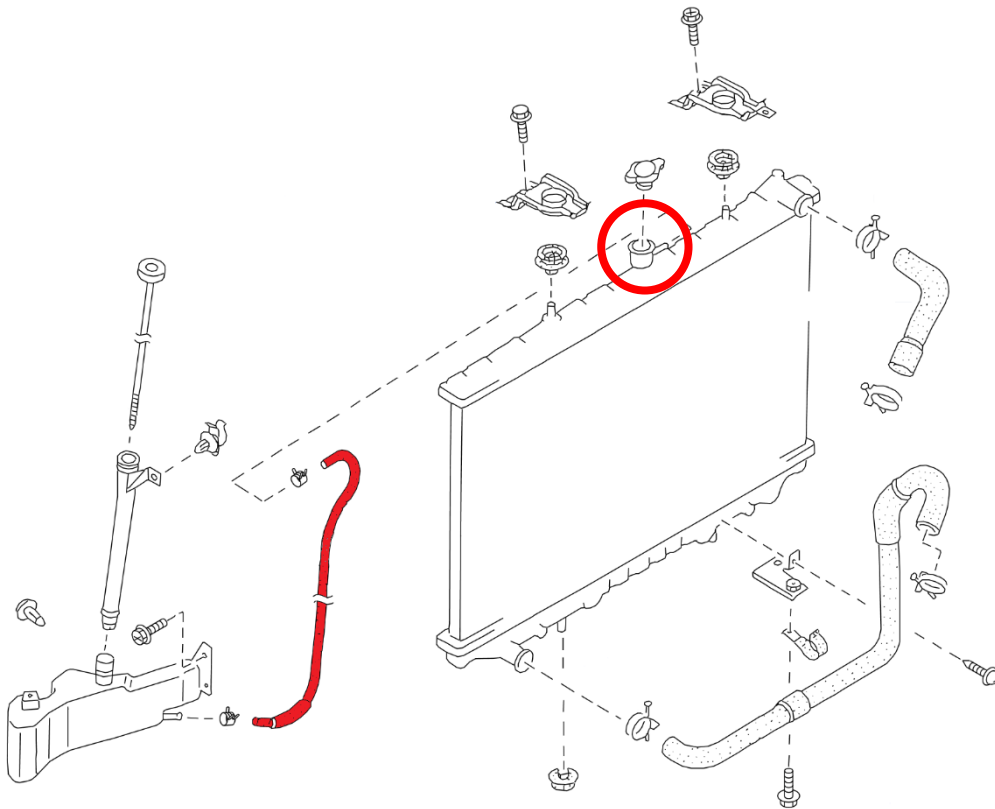


Figure 6

PCV HOSE SET:

7. Locate the Z1 PCV Hose Set, containing (5) Five hoses, shown below in *Figure 7*.



Figure 7

8. Remove the OE PCV Hoses, and replace them with the Z1 PCV Hoses according to *Figure 7* above and *Figure 8* below.

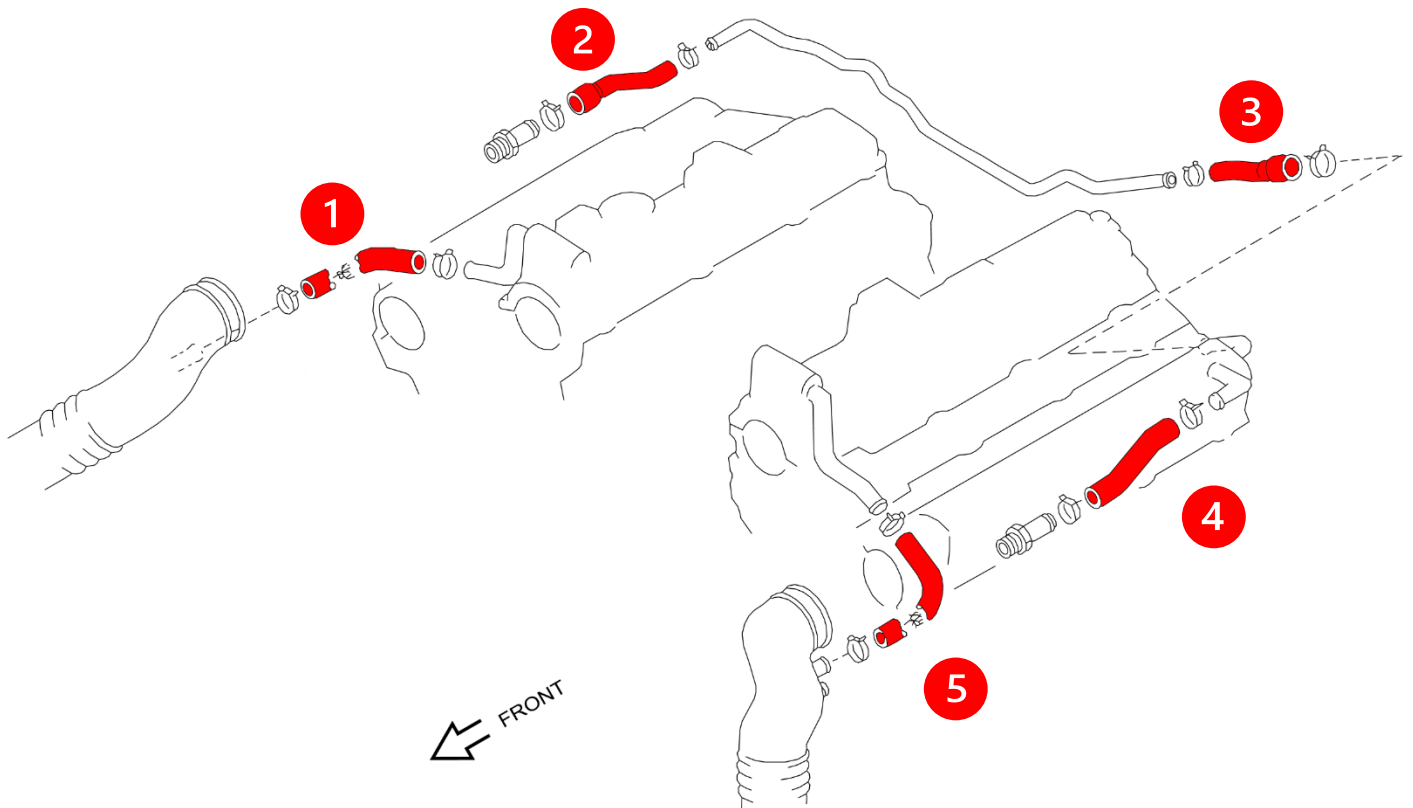


Figure 8

IAA HOSE SET:

9. Locate the Z1 IAA Hose Set, containing (4) four hoses, shown below in *Figure 9*.

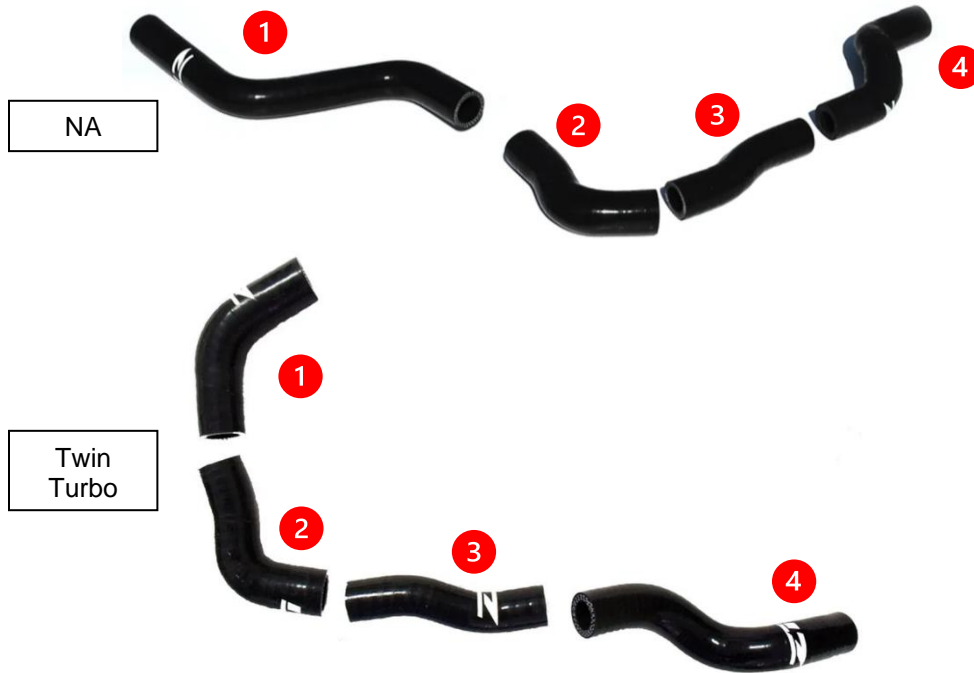


Figure 9

10. Remove the OE IAA Hoses on the side and back of the engine, and replace them with the Z1 IAA Hoses according to *Figure 9* above and *Figure 10* below.

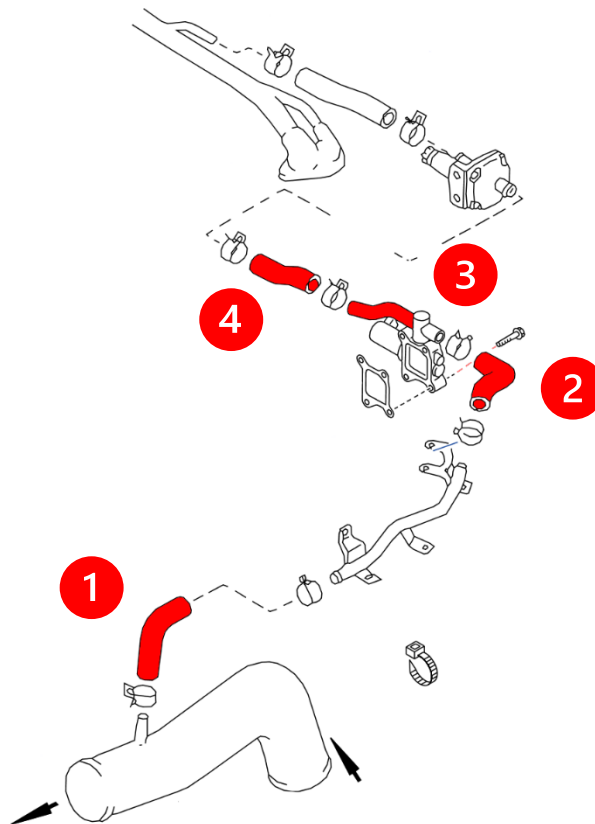


Figure 10

HEATER HOSE SET:

11. Locate the Z1 Heater Hose Set, containing (2) two hoses, shown below in *Figure 11*.



Figure 11

12. Remove the OE Heater Hoses on the firewall, and replace them with the Z1 Heater Hoses according to *Figure 11* above and *Figure 12* below. Refill and bleed Coolant System in accordance with the Factory Service Manual.

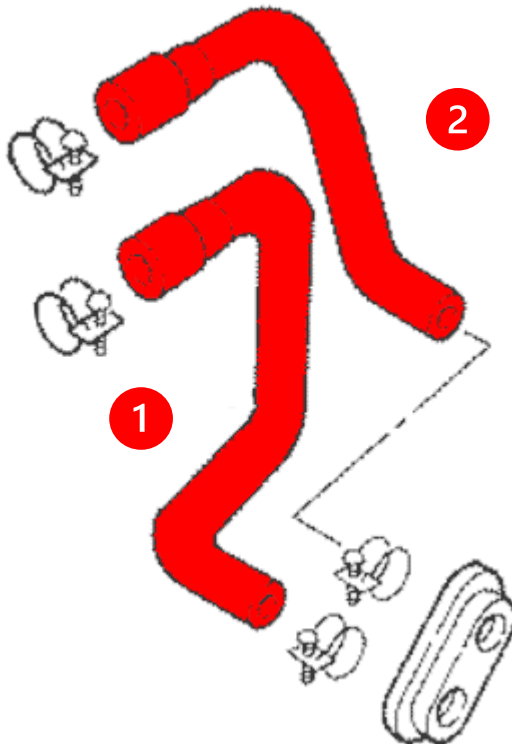


Figure 12

POWER STEERING RETURN HOSE SET:

13. Locate the Z1 Power Steering Return Hose Set, containing (2) two hoses, shown below in *Figure 13*.



Figure 13

14. Remove the OE Power Steering Return Hoses, and replace it with the Z1 Power Steering Hoses according to *Figure 13* above and *Figure 14* below. Refill and bleed Power Steering System in accordance with the Factory Service Manual.

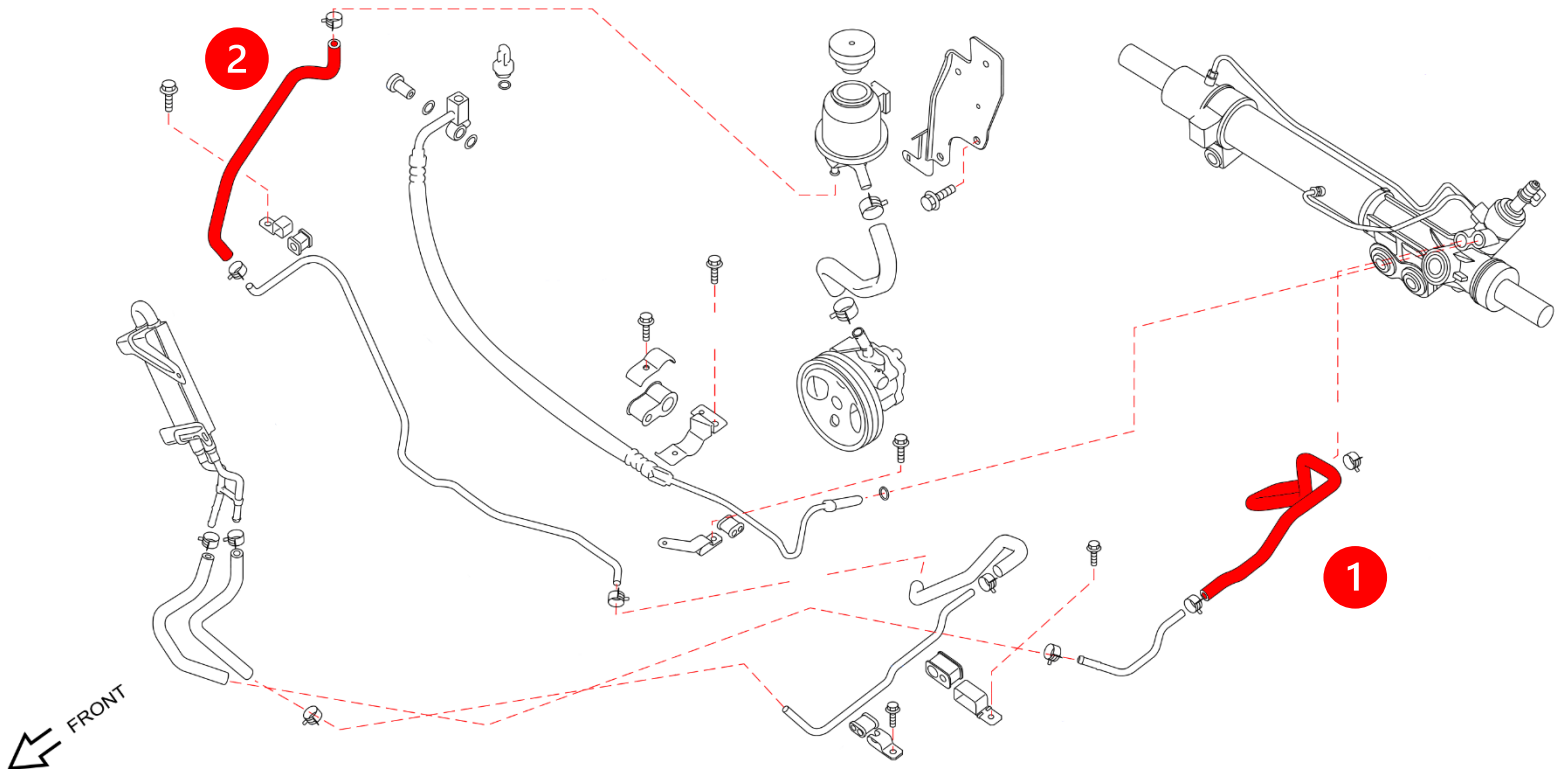


Figure 14

POWER STEERING HOSE:

15. Locate the Z1 Power Steering Hose, shown below in *Figure 15*.



Figure 15

16. Remove the OE Power Steering Hose, and replace it with the Z1 Power Steering Hose according to *Figure 15* above and *Figure 16* below. Refill and bleed Power Steering System in accordance with the Factory Service Manual.

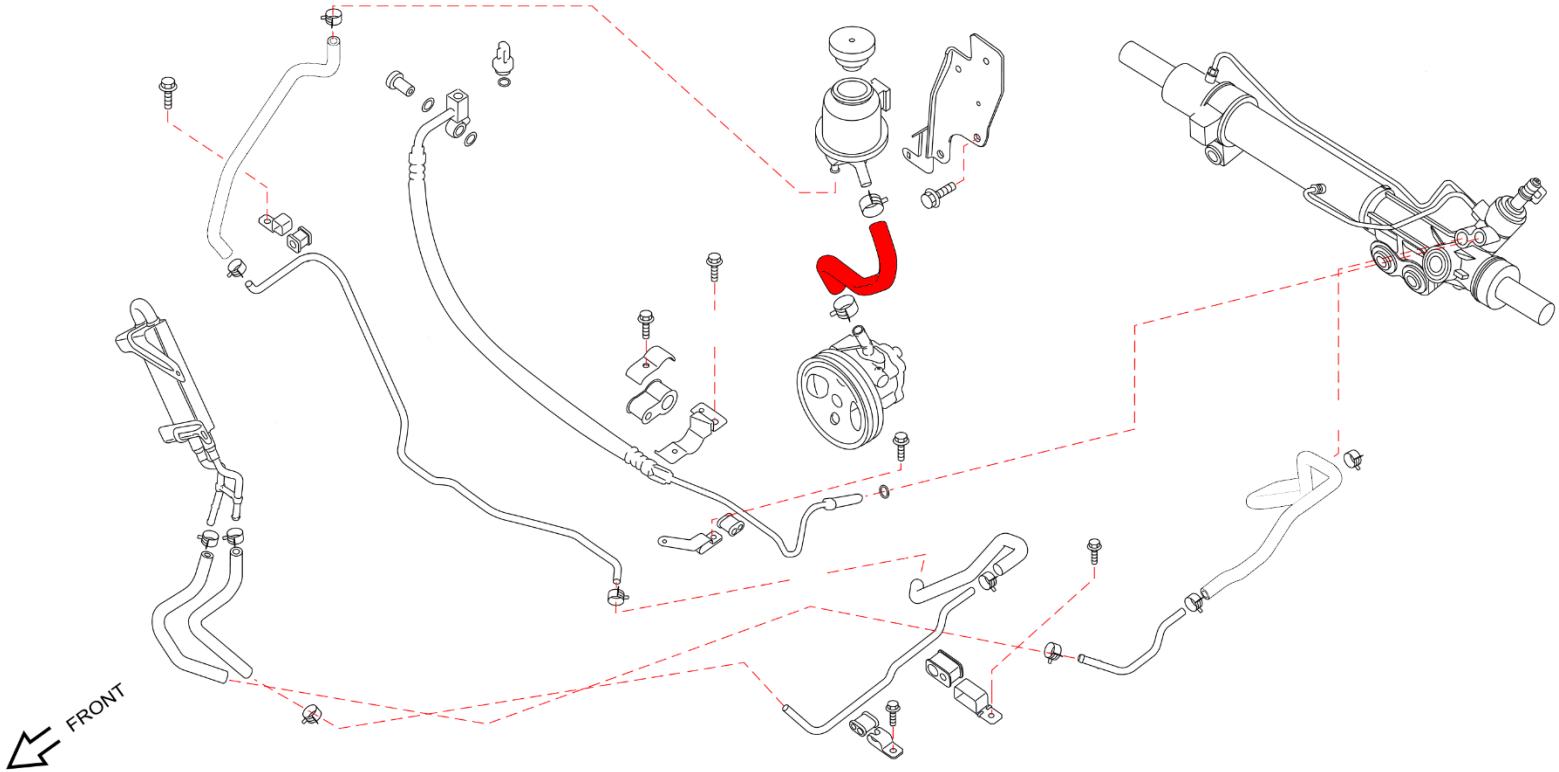


Figure 16

END

Additional Technical Support:

Contact Z1 Motorsports at info@z1motorsports.com

Or call 770-838-7777 between 9am and 6pm ET