

Z1 350Z G35 FRONT SWAY BAR END LINKS INSTALLATION MANUAL



This Installation Manual is intended for the following models:	
2003-2008	Nissan 350Z
2003-2007	Infiniti G35 Coupe
200-2006	Infiniti G35 Sedan (RWD)

PROLOGUE:

Study these instructions completely before proceeding to assembly. The installer must have a thorough knowledge of automotive systems operation. If unfamiliar with any of the concepts outlined in this instruction, we recommend the installation be completed by a qualified professional.

WARNING!

Extreme caution should be taken when performing maintenance or performance upgrades to your vehicle. Please observe and abide by any Warning or Caution labels placed on the various components and tools used when servicing your vehicle. If you have any questions regarding installation or the various components included with the Z1 Motorsports 350Z / G35 Sway Bar End Links, consult with a Professional Mechanic or contact Z1 Motorsports for more information.

PARTS INCLUDED:

Item	Quantity	Description
1	2	Z1 Front Sway Bar End Link

TOOLS REQUIRED:

- Hydraulic Jack
- (2) 2-Ton (or greater) Jack Stands
- Ratchet
- Ratchet Extension(s)
- Assorted Metric Sockets (up to 19mm)
- Assorted Metric Wrenches (up to 19mm)

SAFETY REQUIREMENTS:

- Always wear safety glasses and any necessary protective garments. If using any fluids, chemicals, or solvents, a respirator is recommended.
- Always turn the ignition to the OFF position and disconnect the NEGATIVE battery terminal.
- Always use properly rated jack stands when working under your vehicle.
- Always keep limbs and parts away from moving drivetrain parts.
- Only operate drivetrain in safe space and well-ventilated areas.

BEFORE YOU BEGIN:

Remove contents from the Z1 Motorsports 350Z / G35 Sway Bar End Links and verify that ALL necessary hardware is present.

Sway bar diagrams are provided on the last page of this manual for all applicable models and years. Due to variations throughout the years, refer to the Factory Service Manual (FSM) for torque specs.

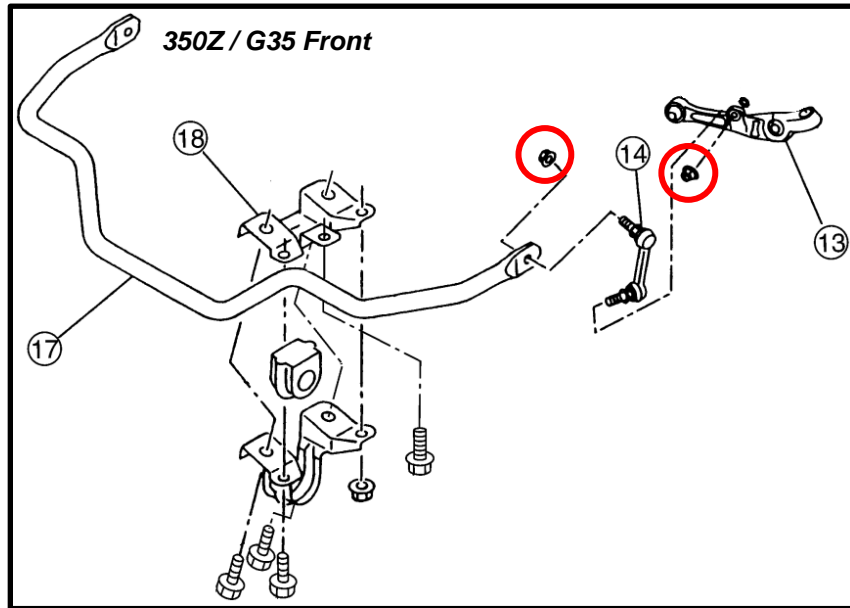
PROCEDURE:

1. Place the transmission in Park position (or in Reverse gear if equipped with a manual transmission). Apply the parking brake.
2. Locate proper jacking points on vehicle's chassis (refer to vehicle's Owner Manual). Raise and support vehicle using jack & jack stands.
3. Remove engine undershroud, set aside.
4. Remove (1) nut on each side of sway bar that connects it to the top of each end link (circled below).
5. Remove (1) nut on each end link that secures it to the front lower control arm (circled below).
6. Remove OEM sway bar end links from vehicle.
7. Locate new Z1 sway bar end links.
8. Adjust Z1 end link to match length of OEM end link.
9. Using the hardware provided, attach Z1 sway bar end link to lower control arm and sway bar. Do not fully tighten nuts yet.
10. Using two open end wrenches, tighten the jam nut on the Z1 end link.
11. Tighten both nuts at the ends of the end link.



12. Reattach engine undershroud.
13. Properly lower vehicle from jack stands.
14. Inspect vehicle for loose tools/items
15. Perform a final test drive of vehicle.

Stabilizer Bar Diagrams:



END

Additional Technical Support:
Contact Z1 Motorsports at info@z1motorsports.com
Or call 770-838-7777 between 9am and 6pm ET