

Z1 350Z VQ35HR MASTER HOSE SET INSTALLATION MANUAL



This Installation Manual is intended for the following models:

2007-2009

Nissan 350Z (VQ35HR)

PROLOGUE:

Study these instructions completely before proceeding to assembly. The installer must have a thorough knowledge of automotive systems operation. If unfamiliar with any of the concepts outlined in this instruction, we recommend the installation be completed by a qualified professional.

WARNING!

Extreme caution should be taken when performing maintenance or performance upgrades to your vehicle. Please observe and abide by any Warning or Caution labels placed on the various components and tools used when servicing your vehicle. If you have any questions regarding installation or the various components included with the Z1 Motorsports Nissan 350Z VQ35HR Master Hose Set, consult with a Professional Mechanic, or contact Z1 Motorsports for more information.

PARTS INCLUDED:

Item	Quantity	Description
1	2	Radiator Hose
2	2	Brake Booster Hose
3	2	Coolant Overflow Hose
4	4	PCV Hose
5	2	Power Steering Reservoir Hose
6	4	Heater Hose

SAFETY REQUIREMENTS:

- Always wear safety glasses and any necessary protective garments. If using any fluids, chemicals, or solvents, a respirator is recommended.
- Always turn the ignition to the OFF position and disconnect the NEGATIVE battery terminal.
- Always use properly rated jack stands when working under your vehicle.
- Always keep limbs and parts away from moving drivetrain parts.
- Only operate drivetrain in safe space and well-ventilated areas.

BEFORE YOU BEGIN:

Remove contents from the Z1 Motorsports 350Z VQ35HR Master Hose Set and verify that ALL necessary hardware is present.

TABLE OF CONTENTS:

RADIATOR HOSE SET:4
BRAKE BOOSTER HOSE SET:5
COOLANT OVERFLOW HOSE SET:6
PCV HOSE SET:7
POWER STEERING RESERVOIR HOSE SET:8
HEATER HOSE SET:9

RADIATOR HOSE SET:

1. Locate the Z1 Radiator Hose set, containing (2) two hoses, shown below in *Figure 1*.

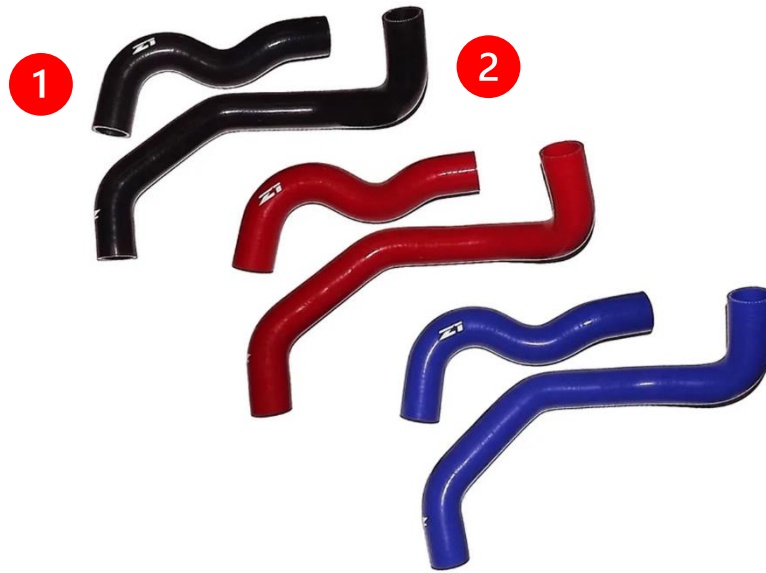


Figure 1

2. Remove the OE Radiator Hoses, and replace them with the Z1 Radiator Hoses according to *Figure 1* above and *Figure 2* below. Refill and bleed the Coolant System in accordance with the Factory Service Manual.

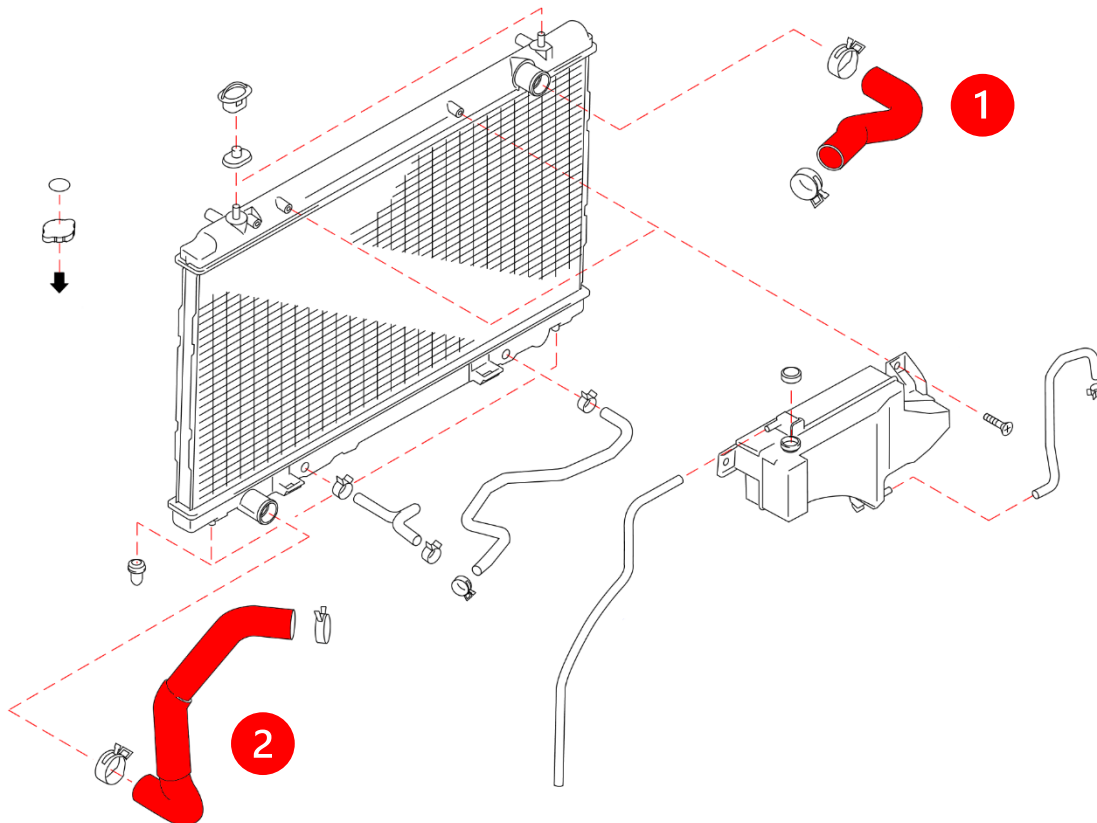


Figure 2

BRAKE BOOSTER HOSE SET:

3. Locate the Z1 Brake Booster Hose set, containing (2) two hoses, shown below in *Figure 3*.



Figure 3

4. Remove the OE Brake Booster Hoses, and replace them with the Z1 Brake Booster Hoses according to *Figure 3* above and *Figure 4* below.

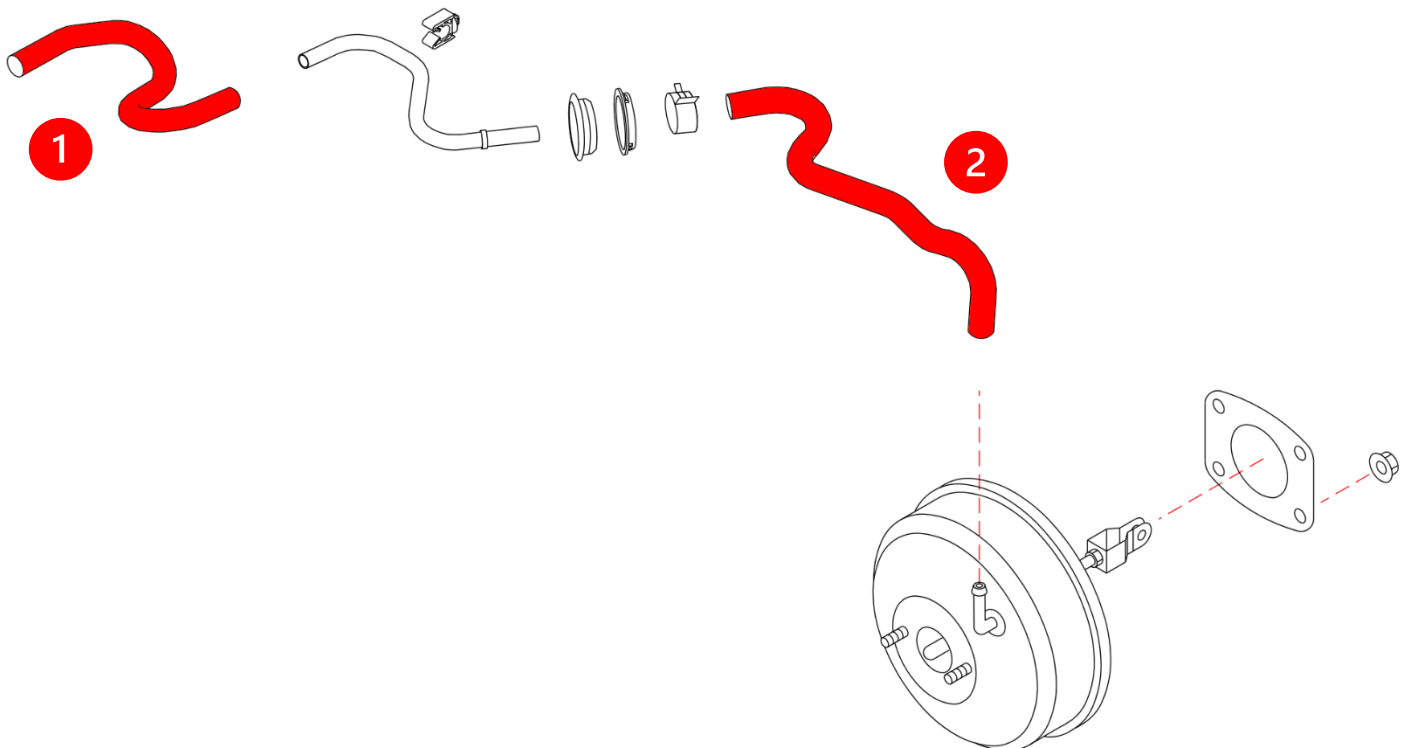


Figure 4

COOLANT OVERFLOW HOSE SET:

5. Locate the Z1 Coolant Overflow set, containing (2) two hoses, shown below in *Figure 5*.



Figure 5

6. Remove the OE Coolant Overflow Hoses, and replace them with the Z1 Coolant Overflow Hoses according to *Figure 5* above and *Figure 6* below. Refill and bleed the Coolant System in accordance with the Factory Service Manual.

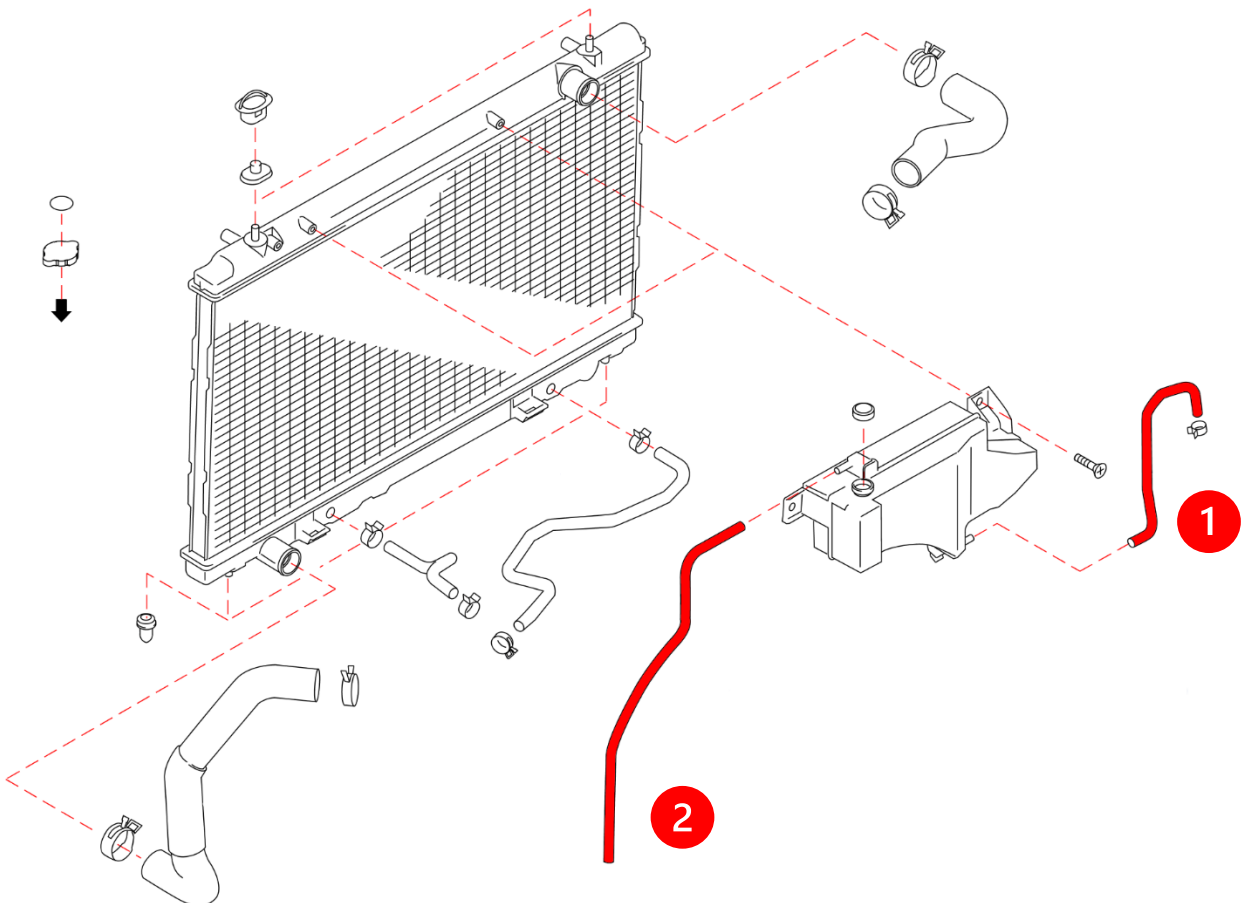


Figure 6

PCV HOSE SET:

7. Locate the Z1 PCV Hose Set, containing (4) four hoses, shown below in *Figure 7*.



Figure 7

8. Remove the OE PCV Hoses, and replace them with the Z1 PCV Hoses according to *Figure 7* above and *Figure 8* below.

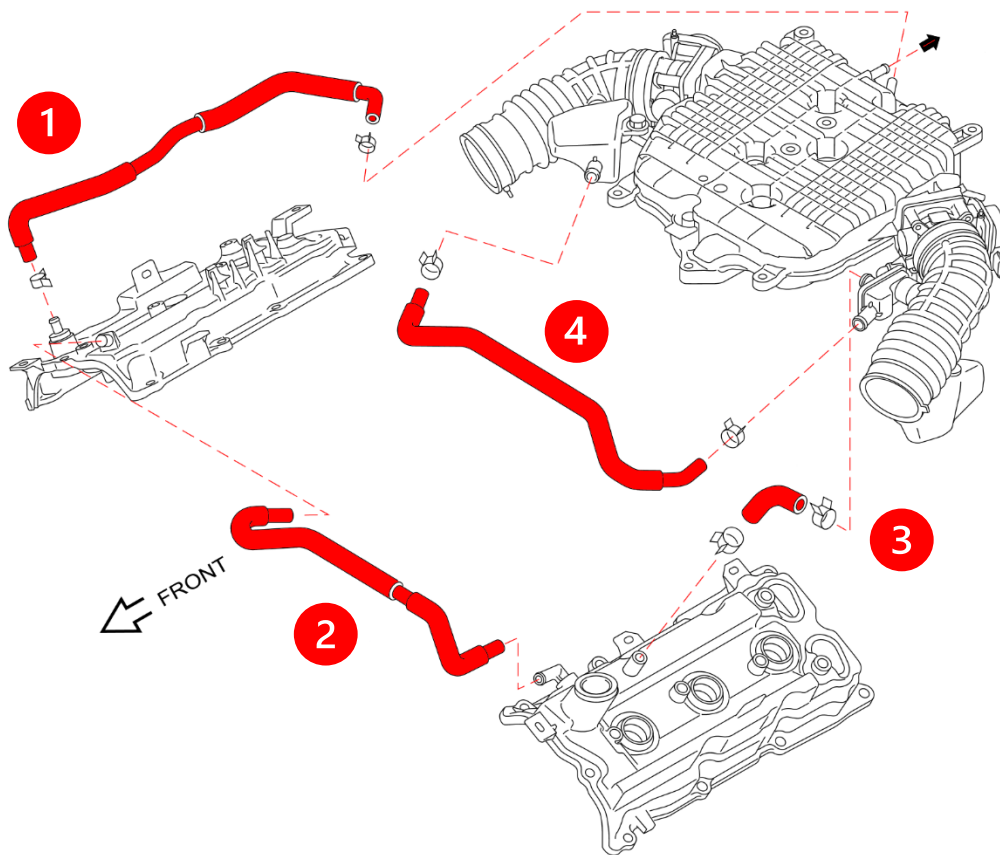


Figure 8

POWER STEERING RESERVOIR HOSE SET:

9. Locate the Z1 Power Steering Reservoir Hose set, containing (2) two hoses, shown below in *Figure 9*.



Figure 9

10. Remove the OE Power Steering Reservoir Hoses, and replace them with the Z1 Power Steering Hoses according to *Figure 9* above and *Figure 10* below. Refill and bleed the Power Steering System in accordance with the Factory Service Manual.

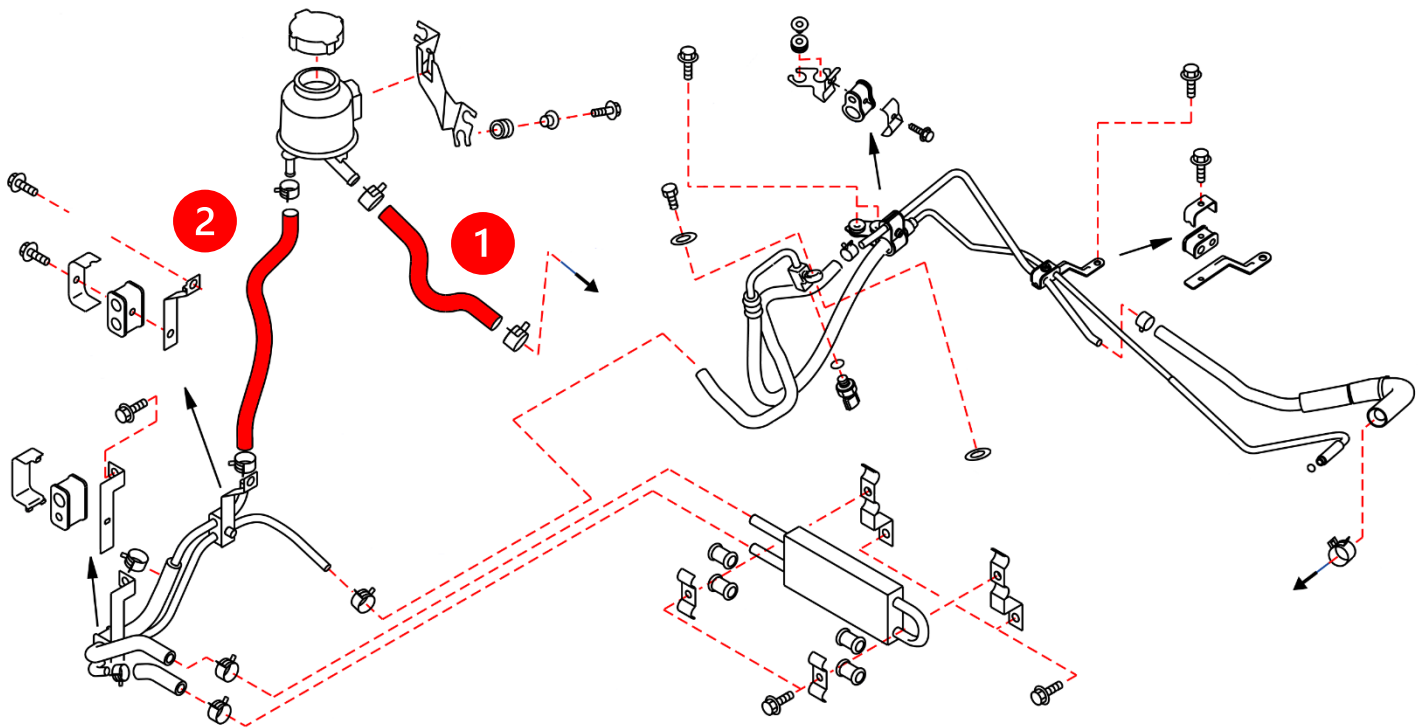


Figure 10

HEATER HOSE SET:

11. Locate the Z1 Heater Hose set, containing (4) four hoses, shown below in *Figure 11*.



Figure 11

12. Remove the OE Heater Hoses, and replace them with the Z1 Heater Hoses according to *Figure 11* above and *Figure 12* below. Refill and bleed the Coolant System in accordance with the Factory Service Manual.

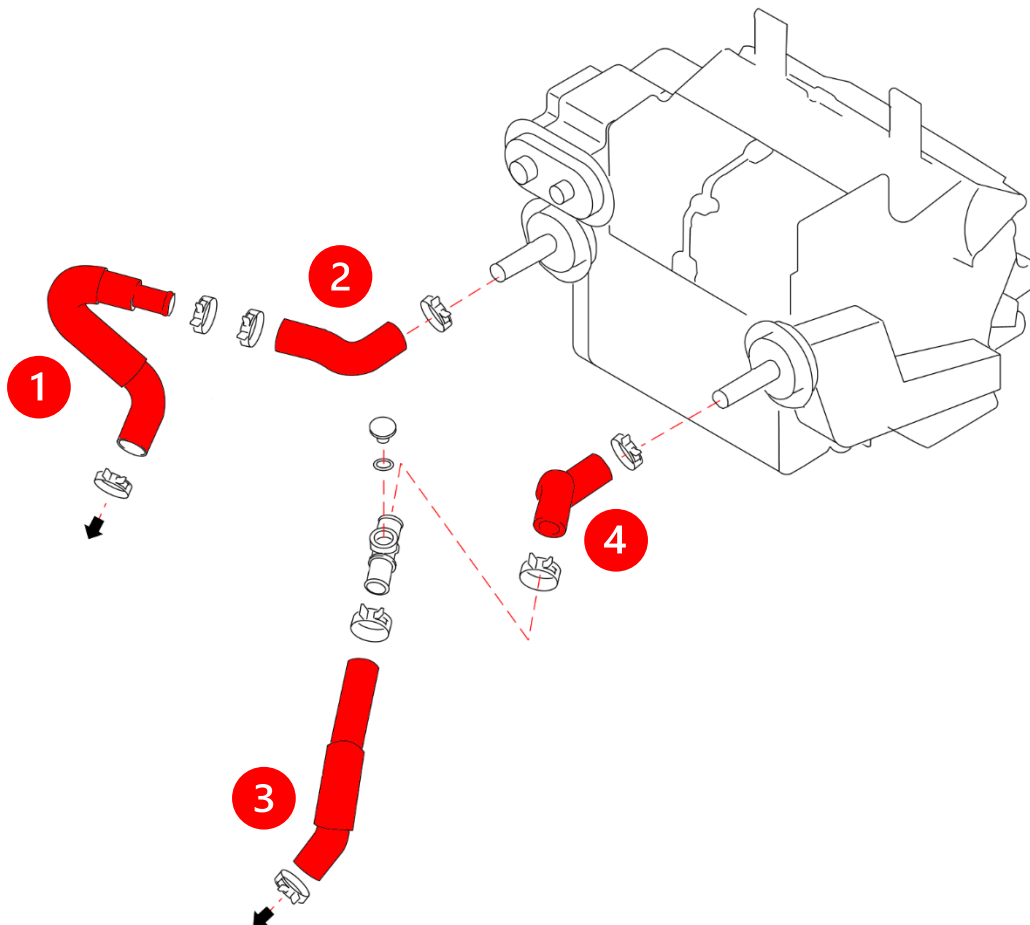


Figure 12

END

Additional Technical Support:
Contact Z1 Motorsports at info@z1motorsports.com
Or call 770-838-7777 between 9am and 6pm ET