

Z1 370Z MASTER HOSE SET INSTALLATION MANUAL



This Installation Manual is intended for the following models:

2009-2020

Nissan 370Z

PROLOGUE:

Study these instructions completely before proceeding to assembly. The installer must have a thorough knowledge of automotive systems operation. If unfamiliar with any of the concepts outlined in this instruction, we recommend the installation be completed by a qualified professional.

WARNING!

Extreme caution should be taken when performing maintenance or performance upgrades to your vehicle. Please observe and abide by any Warning or Caution labels placed on the various components and tools used when servicing your vehicle. If you have any questions regarding installation or the various components included with the Z1 Motorsports 370Z Master Hose Kit, consult with a Professional Mechanic, or contact Z1 Motorsports for more information.

PARTS INCLUDED:

Item	Quantity	Description
1	2	Radiator Hose
2	1	Brake Booster Hose
3	2 (3)	Radiator Overflow Hose
4	2	PCV Crossover Hose
5	2	Power Steering Reservoir Hose
6	4	Heater Hose

SAFETY REQUIREMENTS:

- Always wear safety glasses and any necessary protective garments. If using any fluids, chemicals, or solvents, a respirator is recommended.
- Always turn the ignition to the OFF position and disconnect the NEGATIVE battery terminal.
- Always use properly rated jack stands when working under your vehicle.
- Always keep limbs and parts away from moving drivetrain parts.
- Only operate drivetrain in safe space and well-ventilated areas.

BEFORE YOU BEGIN:

Remove contents from the Z1 Motorsports 370Z Master Hose Kit and verify that ALL necessary hardware is present.

2012+ Nissan 370Z will have (1) one extra Radiator Overflow hose included.

TABLE OF CONTENTS:

RADIATOR HOSE SET4
BRAKE BOOSTER HOSE SET:5
RADIATOR OVERFLOW HOSE SET:6
PCV CROSSOVER HOSE SET:8
POWER STEERING RESERVOIR HOSE SET:9
HEATER HOSE SET: 10



RADIATOR HOSE SET:

1. Locate the Z1 Radiator Hose Set, containing (2) two hoses, shown below in *Figure 1*.



Figure 1

2. Remove the OE Radiator Hoses, and replace them with the Z1 Radiator Hoses according to *Figure 1* above and *Figure 2* below. Refill and bleed the Coolant System in accordance with the Factory Service Manual.

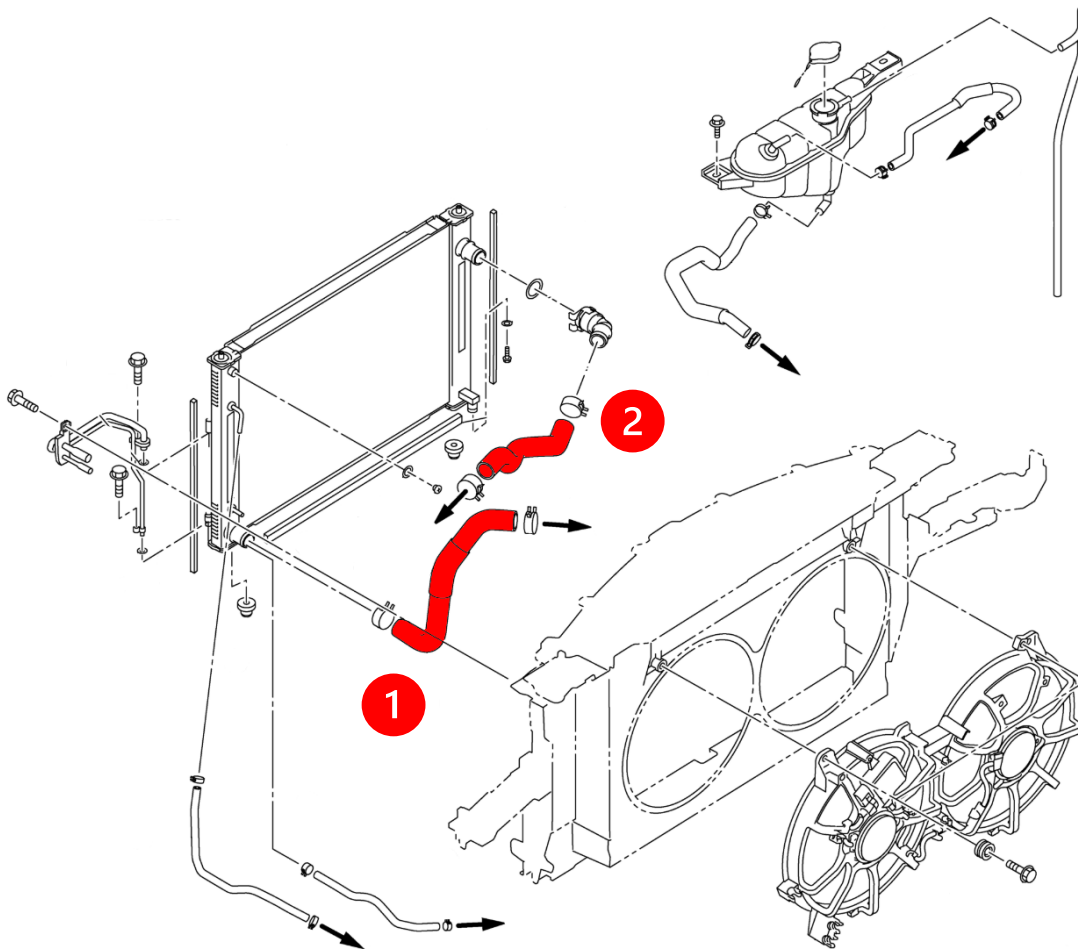


Figure 2

BRAKE BOOSTER HOSE SET:

3. Locate the Z1 Brake Booster Hose, shown below in *Figure 3*.



Figure 3

4. Remove the OE Brake Booster Hose, and replace it with the Z1 Brake Booster Hose according to *Figure 3* above and *Figure 4* below.

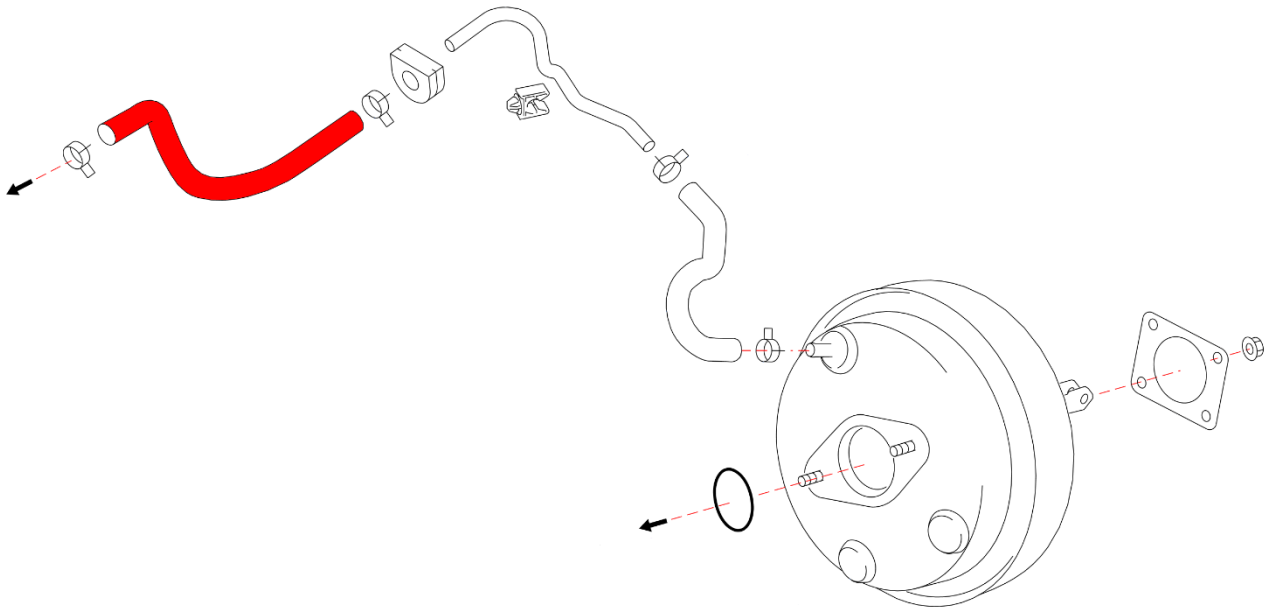


Figure 4

RADIATOR OVERFLOW HOSE SET:

5. Locate the Z1 Radiator Overflow Hose Set, containing (2) two hoses (2012+ Models will have (3) three hoses), shown below in *Figure 5*.

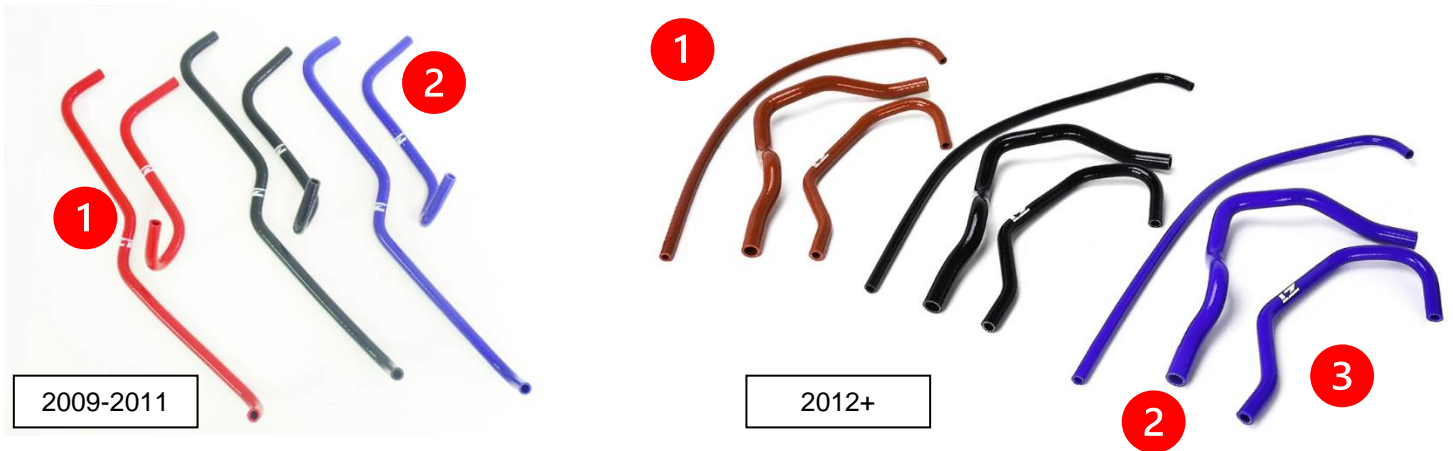
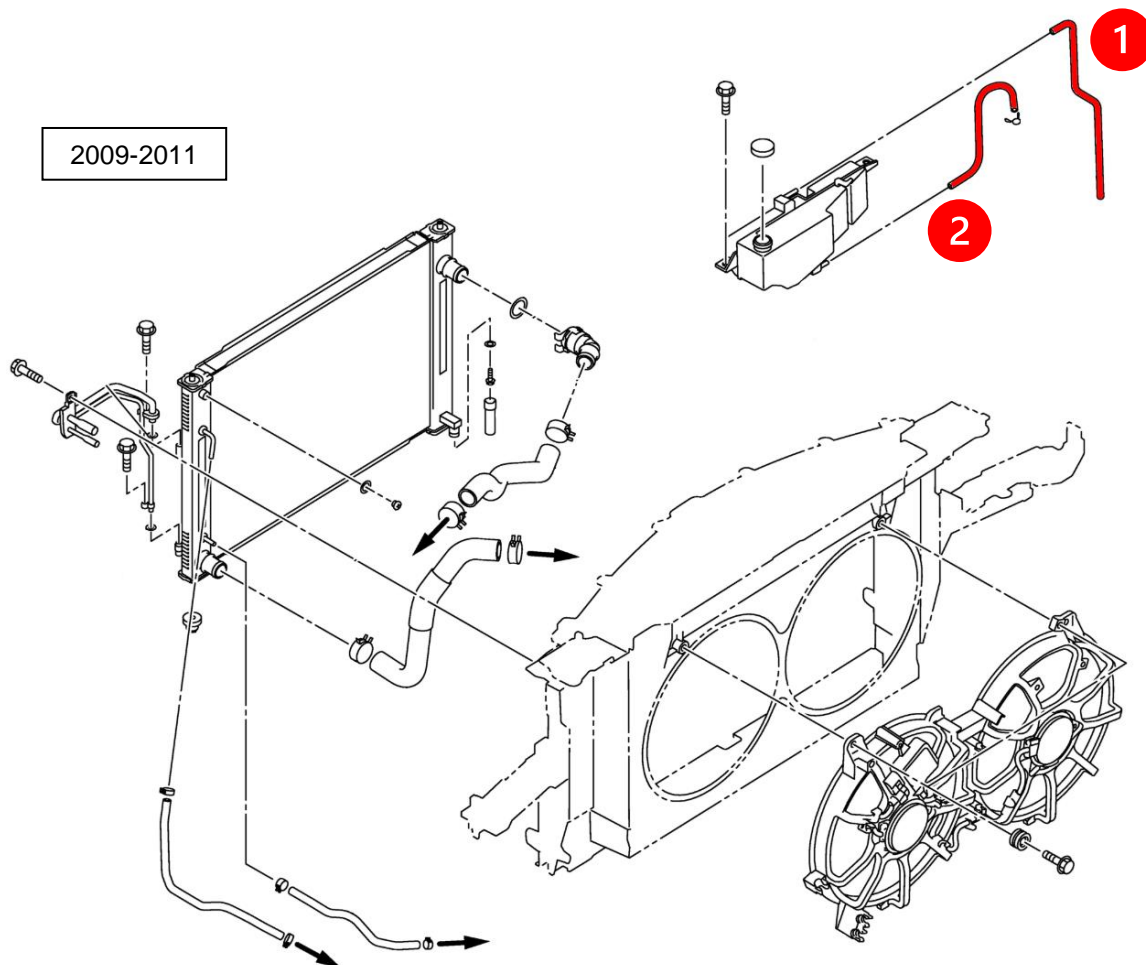


Figure 5

6. Remove the OE Radiator Overflow Hoses, and replace them with the Z1 Radiator Overflow Hoses according to *Figure 5* above and *Figure 6* below. Refill and bleed the Coolant System in accordance with the Factory Service Manual.



2012+

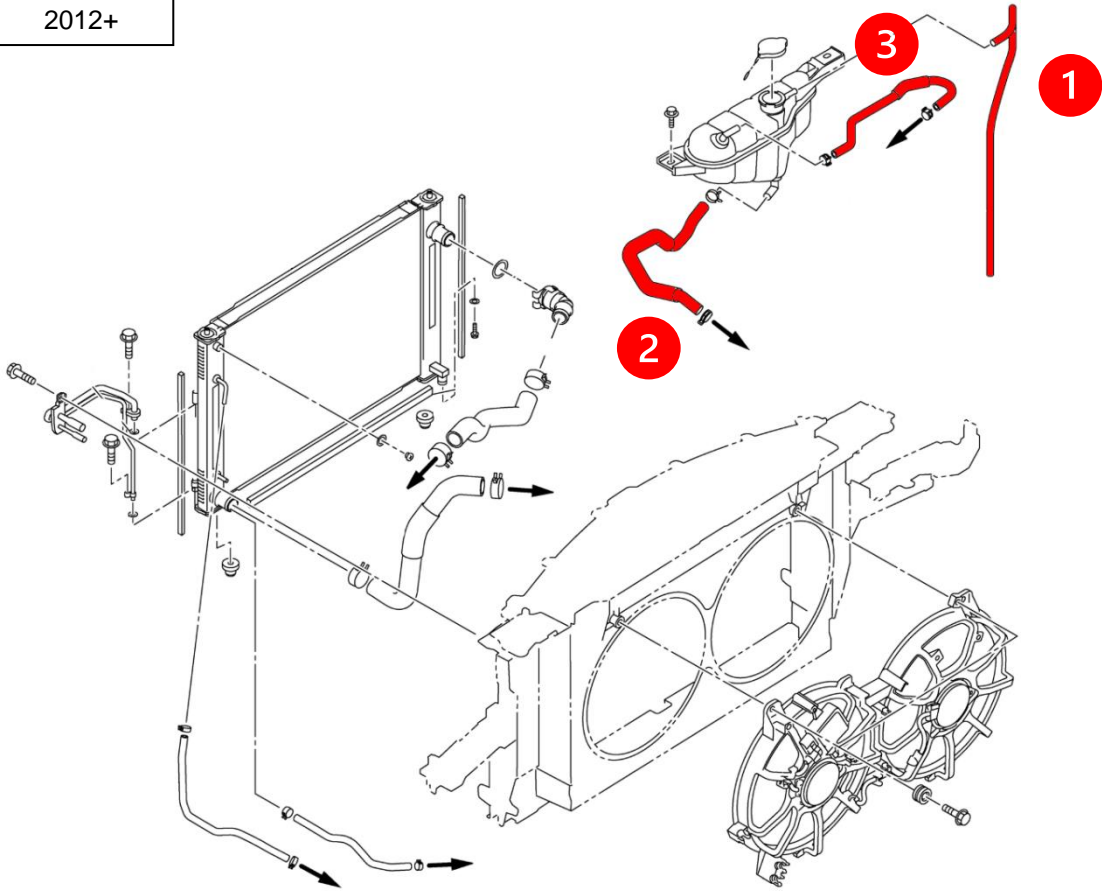


Figure 6

PCV CROSSOVER HOSE SET:

7. Locate the Z1 PCV Crossover Hose Set, containing (2) two hoses, shown below in *Figure 7*.



Figure 7

8. Remove the OE PCV Hoses, and replace them with the Z1 PCV Hoses according to *Figure 8* above and *Figure 8* below.

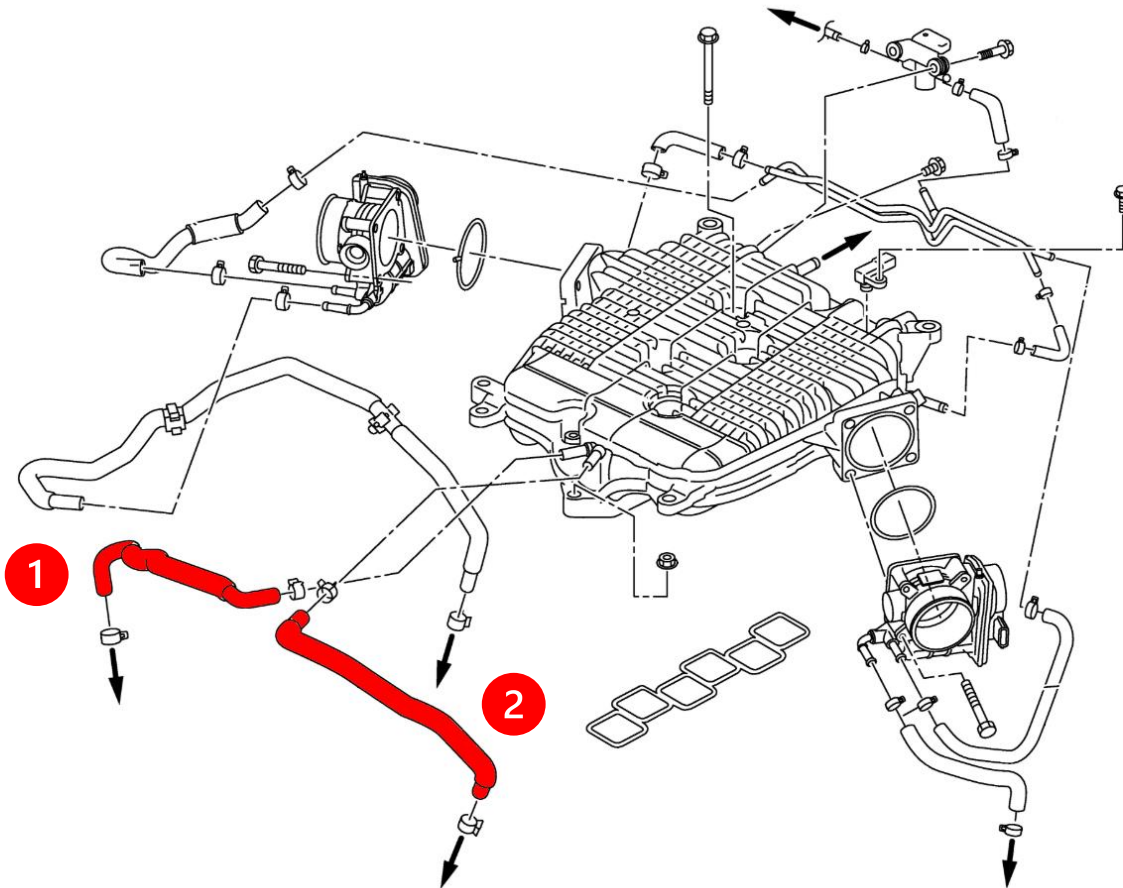


Figure 8

POWER STEERING RESERVOIR HOSE SET:

9. Locate the Z1 Power Steering Reservoir Hose Set, containing (2) two hoses, shown in *Figure 9* below.



Figure 9

10. Remove the OE Power Steering Reservoir Hoses, and replace them with the Z1 Power Steering Reservoir Hoses according to *Figure 9* above and *Figure 10* below. Refill and bleed the Power Steering System in accordance with the Factory Service Manual.

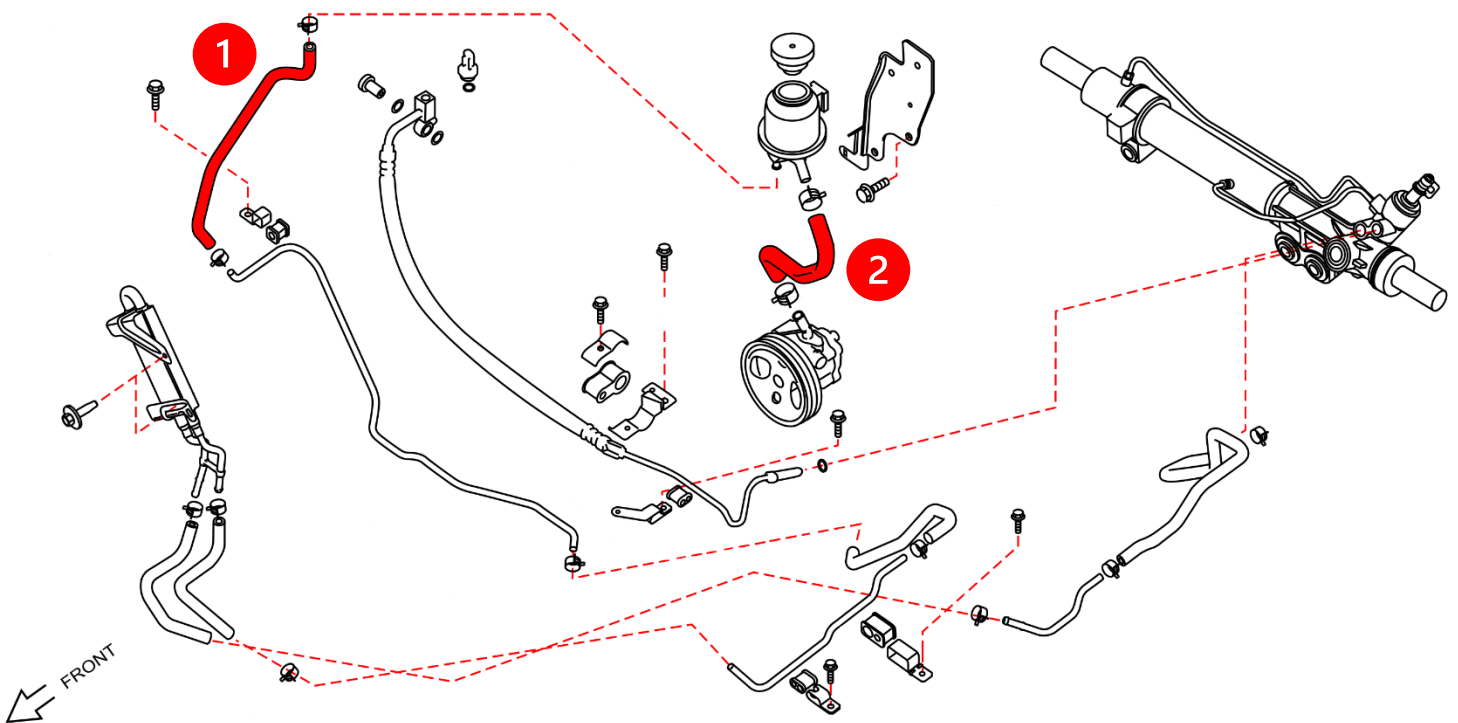


Figure 10

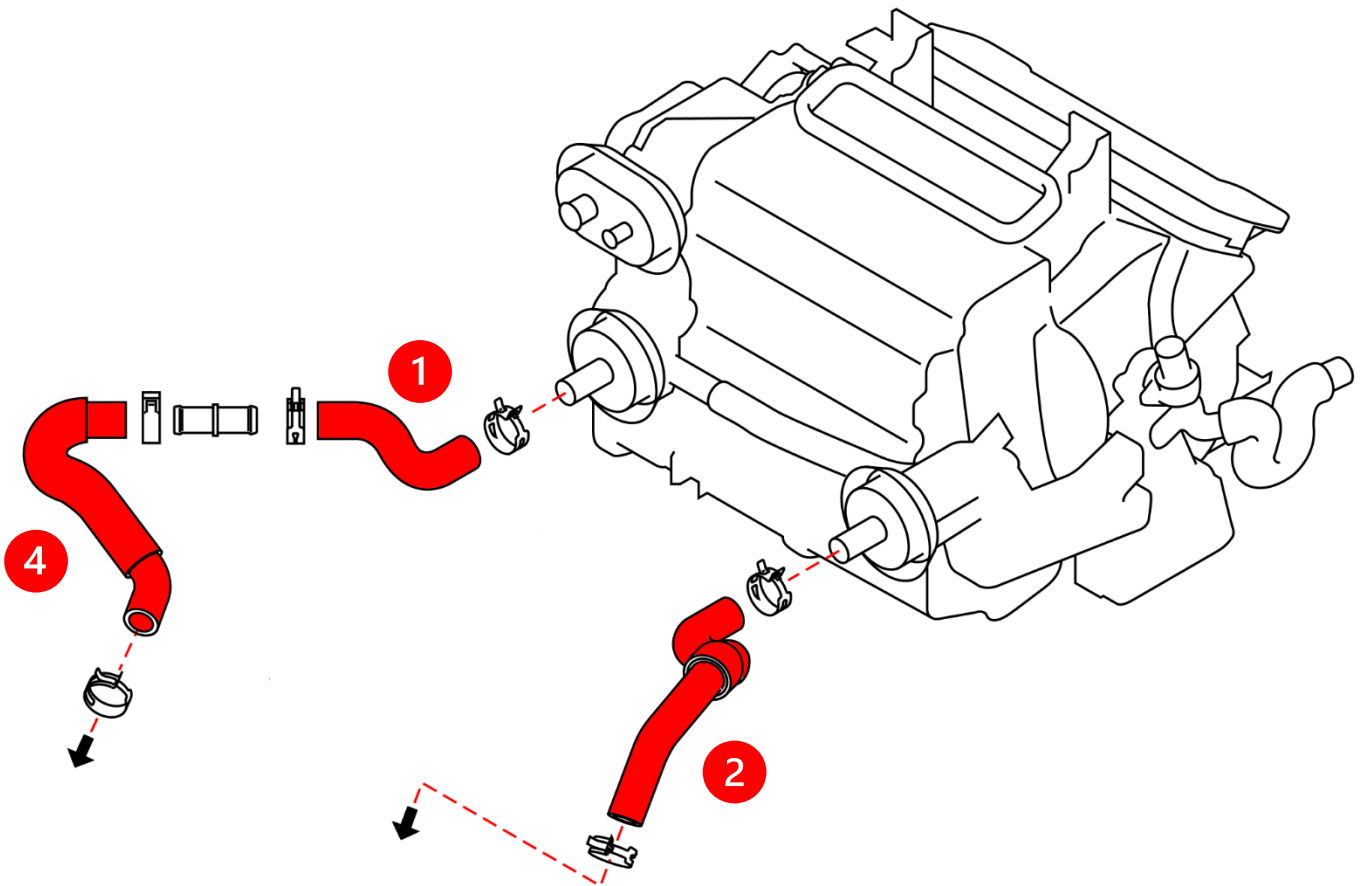
HEATER HOSE SET:

11. Locate the Z1 Heater Hose Set, containing (4) four hoses, shown below in *Figure 11*.



Figure 11

12. Remove the OE Heater Hoses, and replace them with the Z1 Heater Hoses according to *Figure 11* above and *Figure 12* below. Refill and bleed the Coolant System in accordance with the Factory Service Manual.



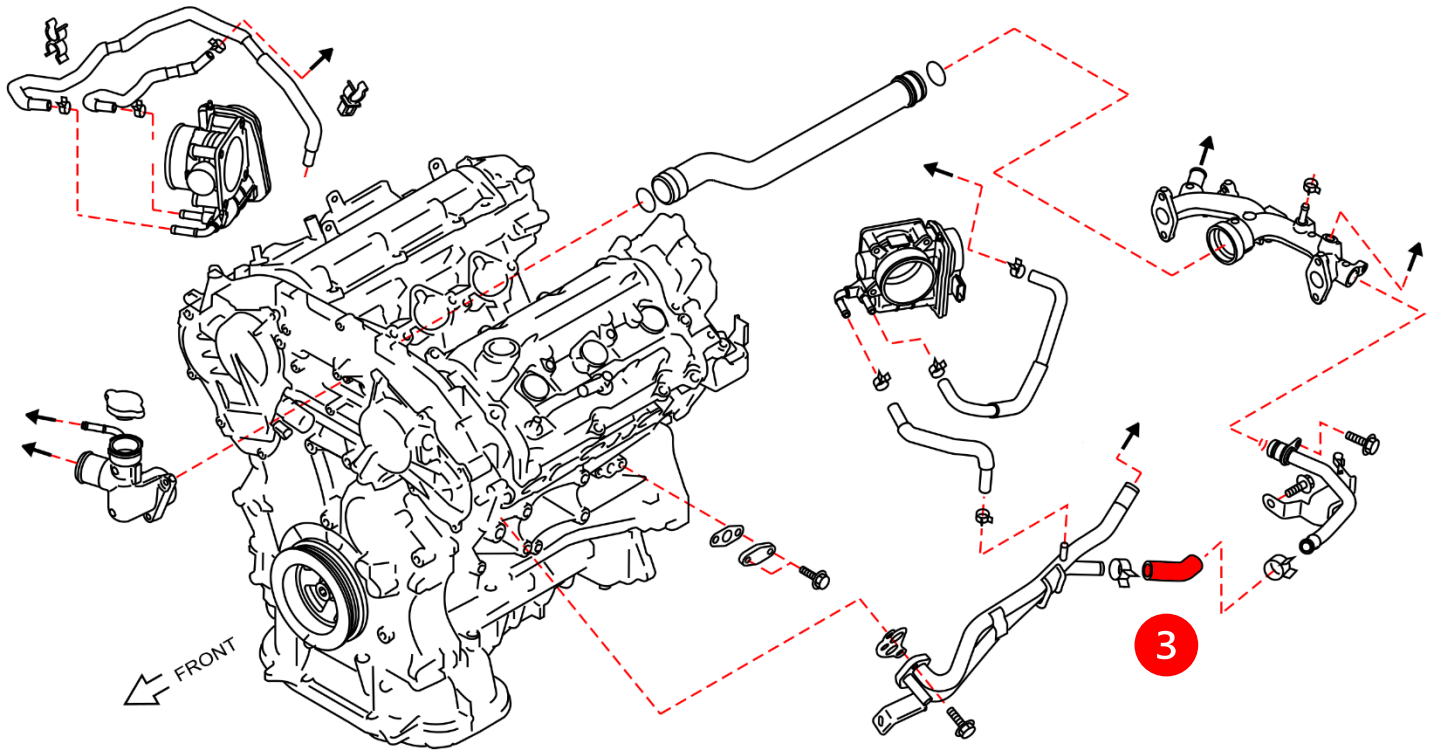


Figure 12

END

Additional Technical Support:
Contact Z1 Motorsports at info@z1motorsports.com
Or call 770-838-7777 between 9am and 6pm ET