

# Z1 VQ35DE MASTER HOSE SET INSTALLATION MANUAL



This Installation Manual is intended for the following models:	
2003-2006	Nissan 350Z
2003-2006	Infiniti G35 (Sedan)
2003-2007	Infiniti G35 (Coupe)

## PROLOGUE:

Study these instructions completely before proceeding to assembly. The installer must have a thorough knowledge of automotive systems operation. If unfamiliar with any of the concepts outlined in this instruction, we recommend the installation be completed by a qualified professional.

## WARNING!

Extreme caution should be taken when performing maintenance or performance upgrades to your vehicle. Please observe and abide by any Warning or Caution labels placed on the various components and tools used when servicing your vehicle. If you have any questions regarding installation or the various components included with the Z1 Motorsports VQ35DE Master Hose Set, consult with a Professional Mechanic, or contact Z1 Motorsports for more information.

## **PARTS INCLUDED:**

Item	Quantity	Description
1	3	Radiator Hose
2	2	Brake Booster Hose
3	3	Oil Filter Coolant Hose
4	3	PCV Hose
5	2	Power Steering Reservoir Hose
6	3	Heater Hose
7	1	Coolant Bypass Hose
8	1	Coolant Overflow Hose

## **SAFETY REQUIREMENTS:**

- Always wear safety glasses and any necessary protective garments. If using any fluids, chemicals, or solvents, a respirator is recommended.
- Always turn the ignition to the OFF position and disconnect the NEGATIVE battery terminal.
- Always use properly rated jack stands when working under your vehicle.
- Always keep limbs and parts away from moving drivetrain parts.
- Only operate drivetrain in safe space and well-ventilated areas.

## **BEFORE YOU BEGIN:**

Remove contents from the Z1 Motorsports VQ35DE Master Hose Set and verify that ALL necessary hardware is present.

**TABLE OF CONTENTS:**

RADIATOR HOSE SET: ..... 4  
BRAKE BOOSTER HOSE SET: ..... 5  
RADIATOR OVERFLOW HOSE: ..... 6  
PCV HOSE SET: ..... 7  
IAA HOSE SET: ..... 9  
HEATER HOSE SET: ..... 10  
POWER STEERING RETURN HOSE: ..... 11  
POWER STEERING HOSE: ..... 12

## RADIATOR HOSE SET:

1. Locate the Z1 Radiator Hose Set, containing (3) three hoses, shown below in *Figure 1*.



Figure 1

2. Remove the OE Radiator Hoses, and replace them with the Z1 Radiator Hoses according to *Figure 1* above and *Figure 2* below. Refill and bleed Coolant System in accordance with the Factory Service Manual.

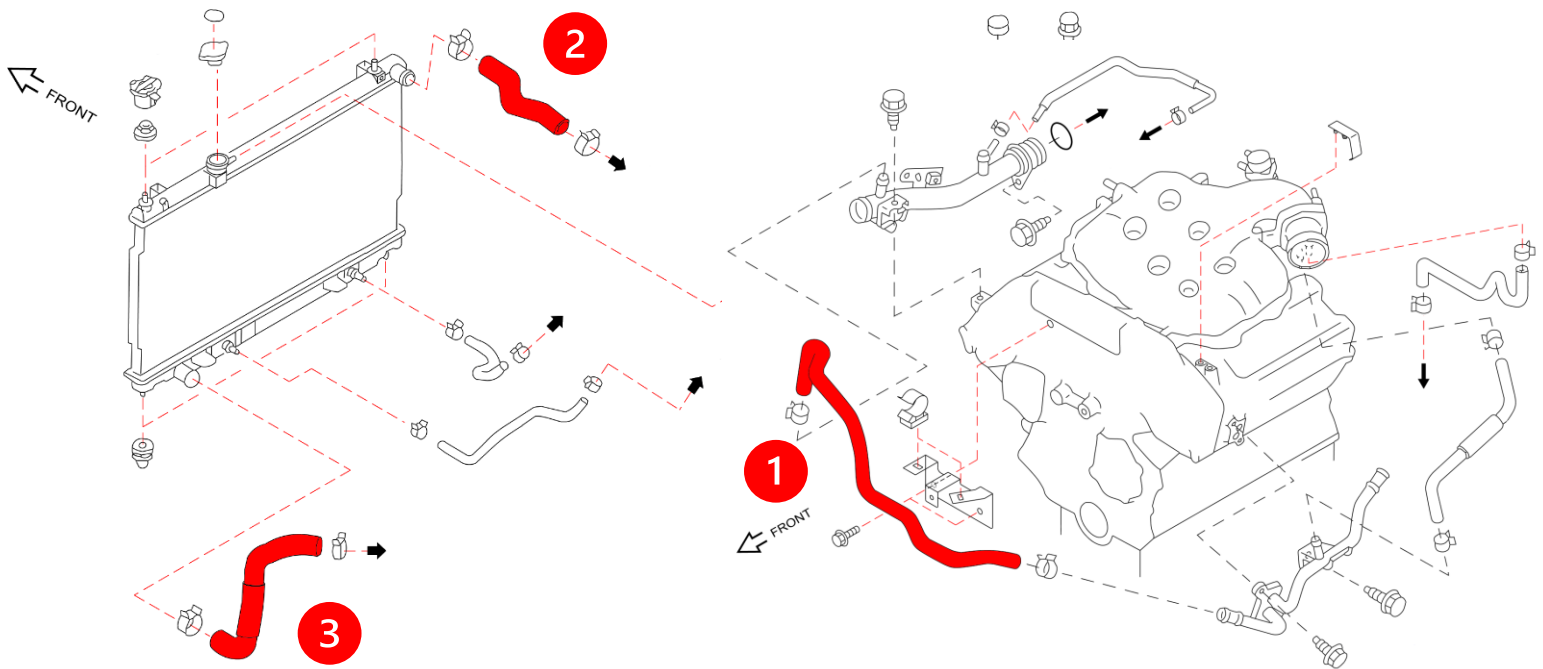


Figure 2

## **BRAKE BOOSTER HOSE SET:**

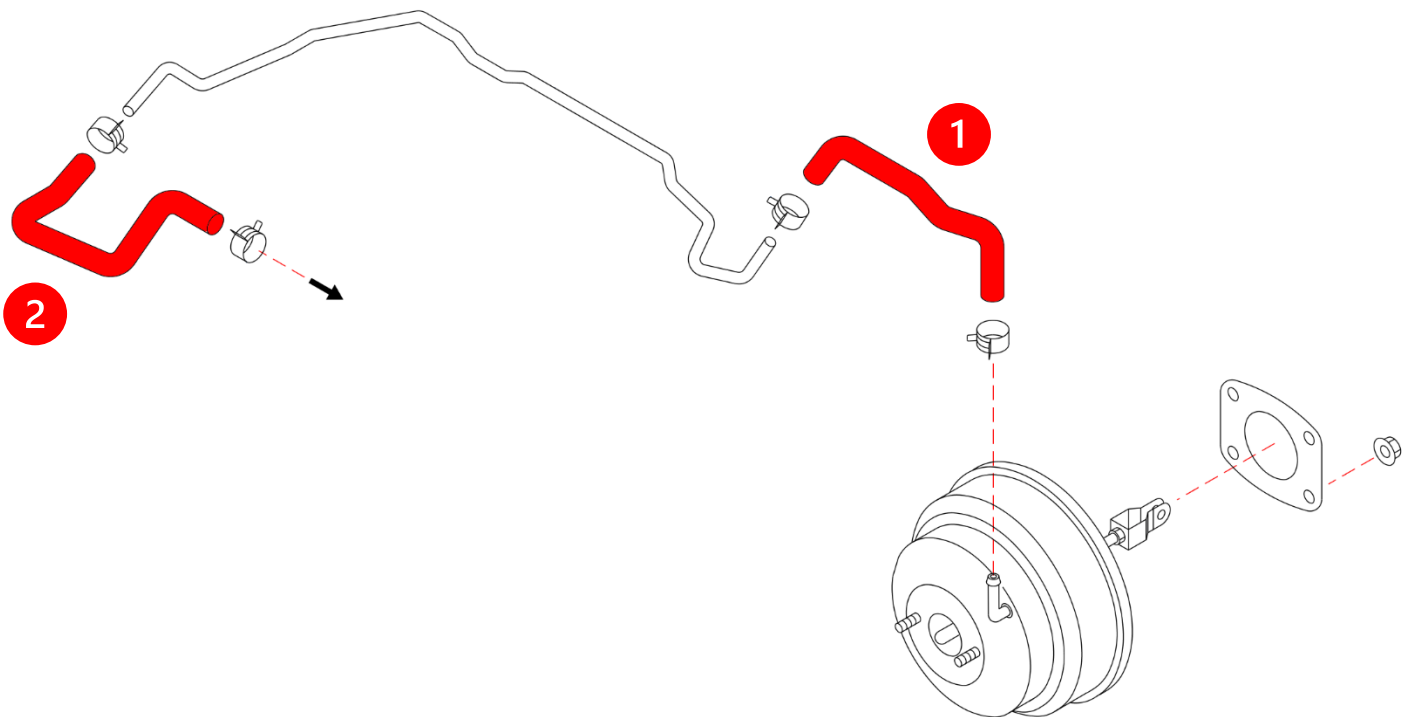
3. Locate the Z1 Brake Booster Hose Set, containing (2) two hoses, shown below in *Figure 3*.



*Figure 3*

4. Remove the OE Brake Booster Hoses, and replace them with the Z1 Brake Booster Hoses according to *Figure 3* above and *Figure 4* below.

**NOTE:** The one-way check valve in the factory hose will need to be removed and reinstalled into the Z1 Silicone Hose for proper brake function.



*Figure 4*

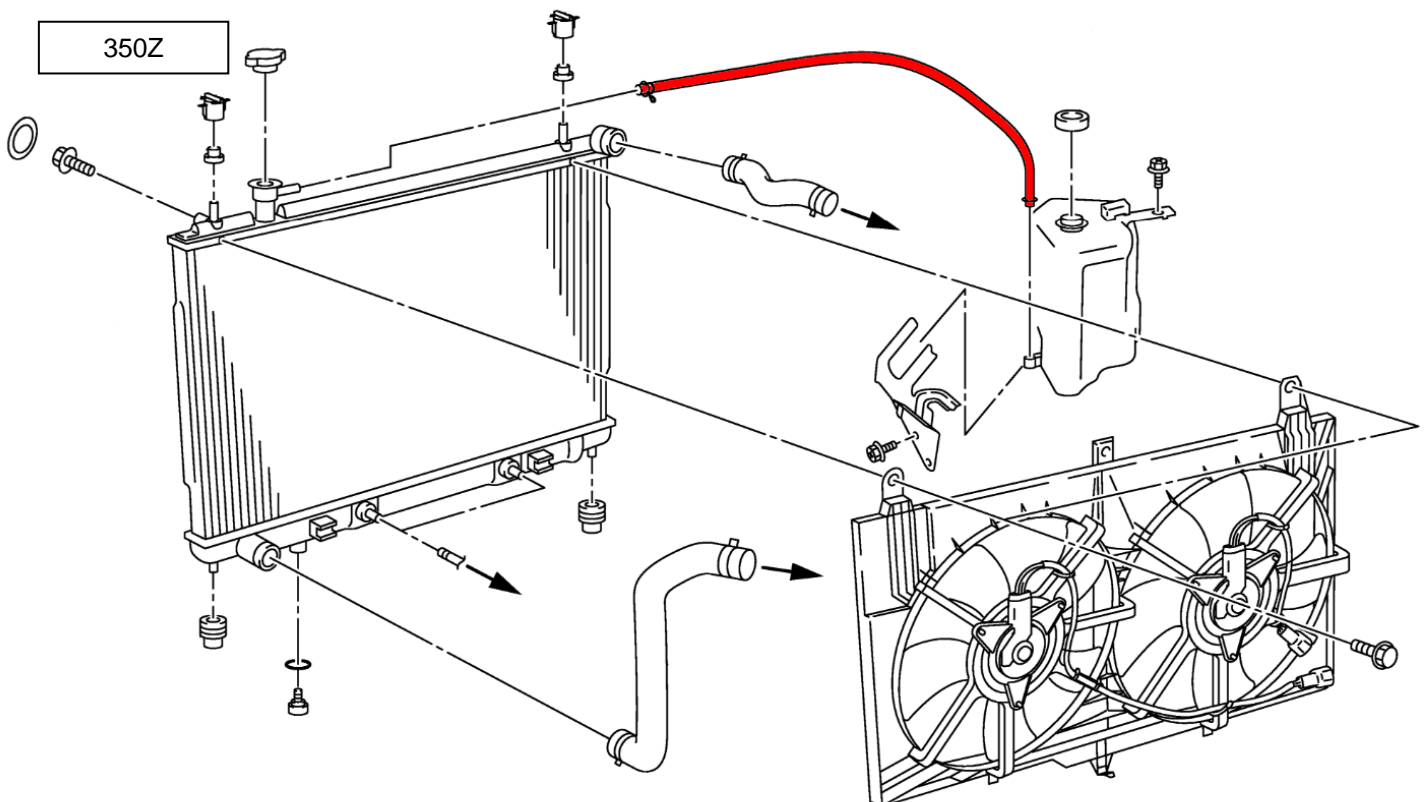
## COOLANT OVERFLOW HOSE:

5. Locate the Z1 Coolant Overflow Hose, shown below in *Figure 5*.



*Figure 5*

6. Remove the OE Coolant Overflow Hose, and replace it with the Z1 Coolant Overflow Hose according to *Figure 5* above and *Figure 6* below. Refill and bleed Coolant System in accordance with the Factory Service Manual if necessary.



G35

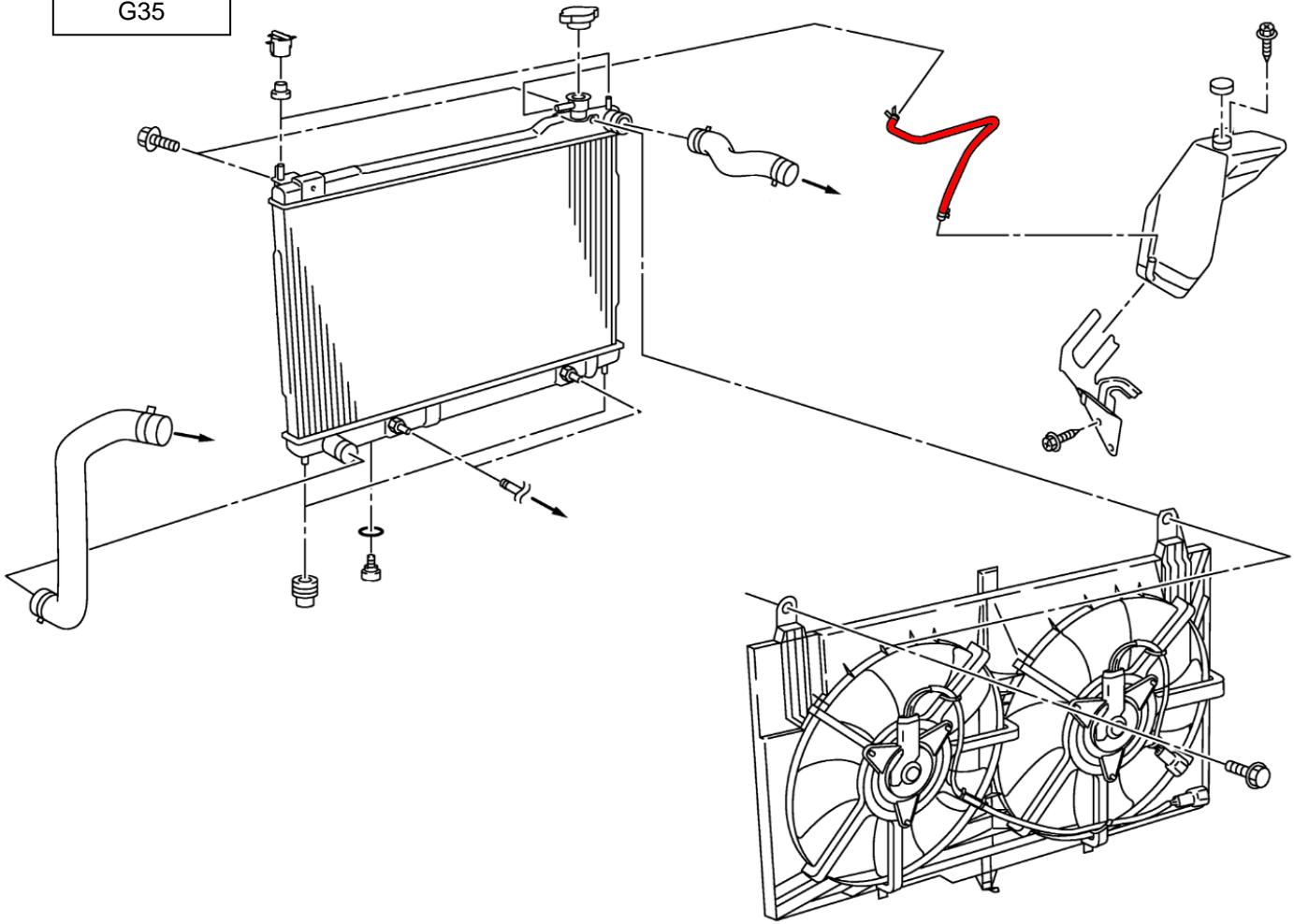


Figure 6

## PCV HOSE SET:

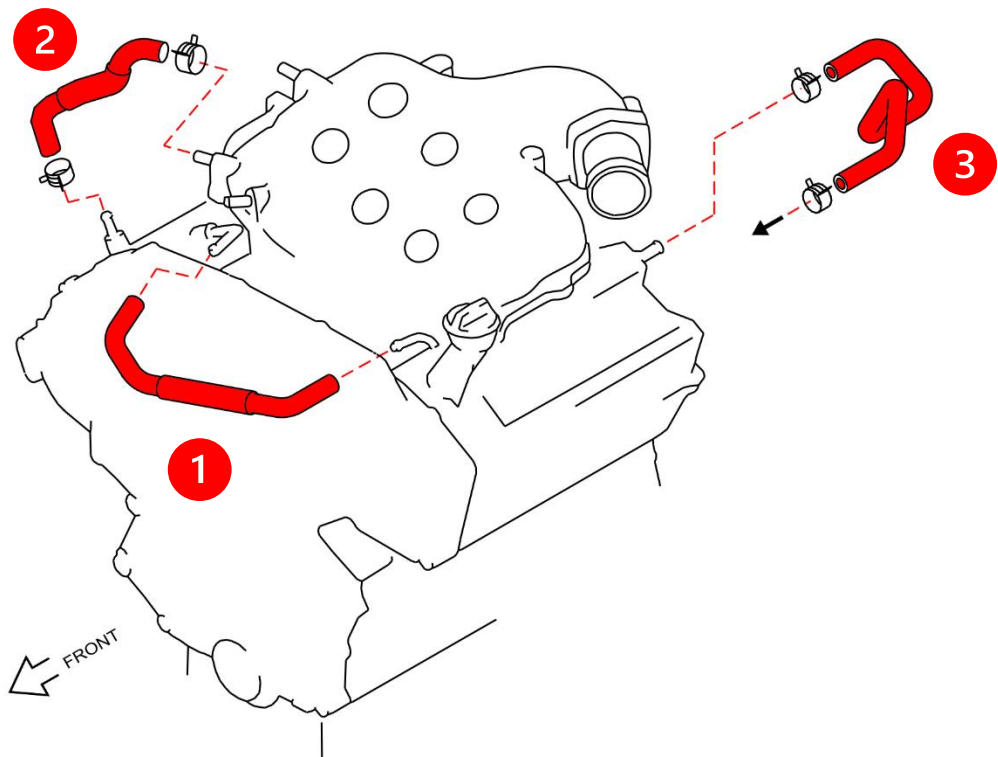
7. Locate the Z1 PCV Hose Set, containing (3) three hoses, shown below in *Figure 7*.



*Figure 7*

8. Remove the OE PCV Hoses, and replace them with the Z1 PCV Hoses according to *Figure 8* above and *Figure 8* below.

**NOTE:** If you selected the G35 with Z Tube PCV Kit, the rear PCV Hose is shaped different than the 350Z and those without the Z Tube.



*Figure 8*



## OIL FILTER COOLER HOSE SET:

9. Locate the Z1 Oil Filter Cooler Hose Set, containing (3) three hoses, shown below in *Figure 9*.

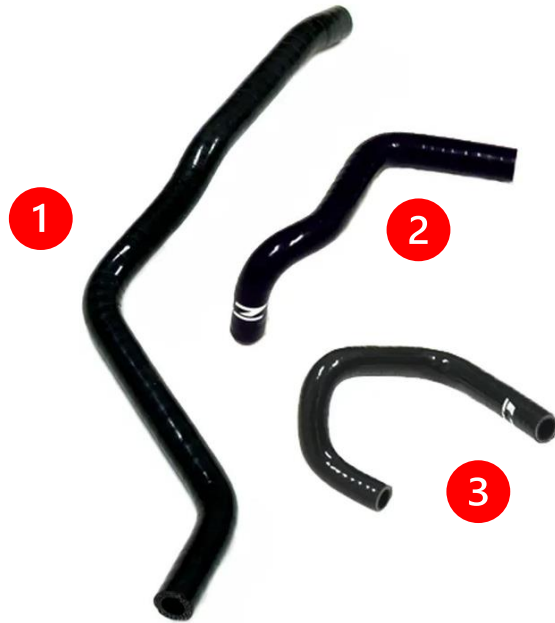


Figure 9

10. Remove the OE Oil Filter Cooler Hoses, and replace them with the Z1 Oil Filter Cooler Hoses according to *Figure 9* above and *Figure 10* below.

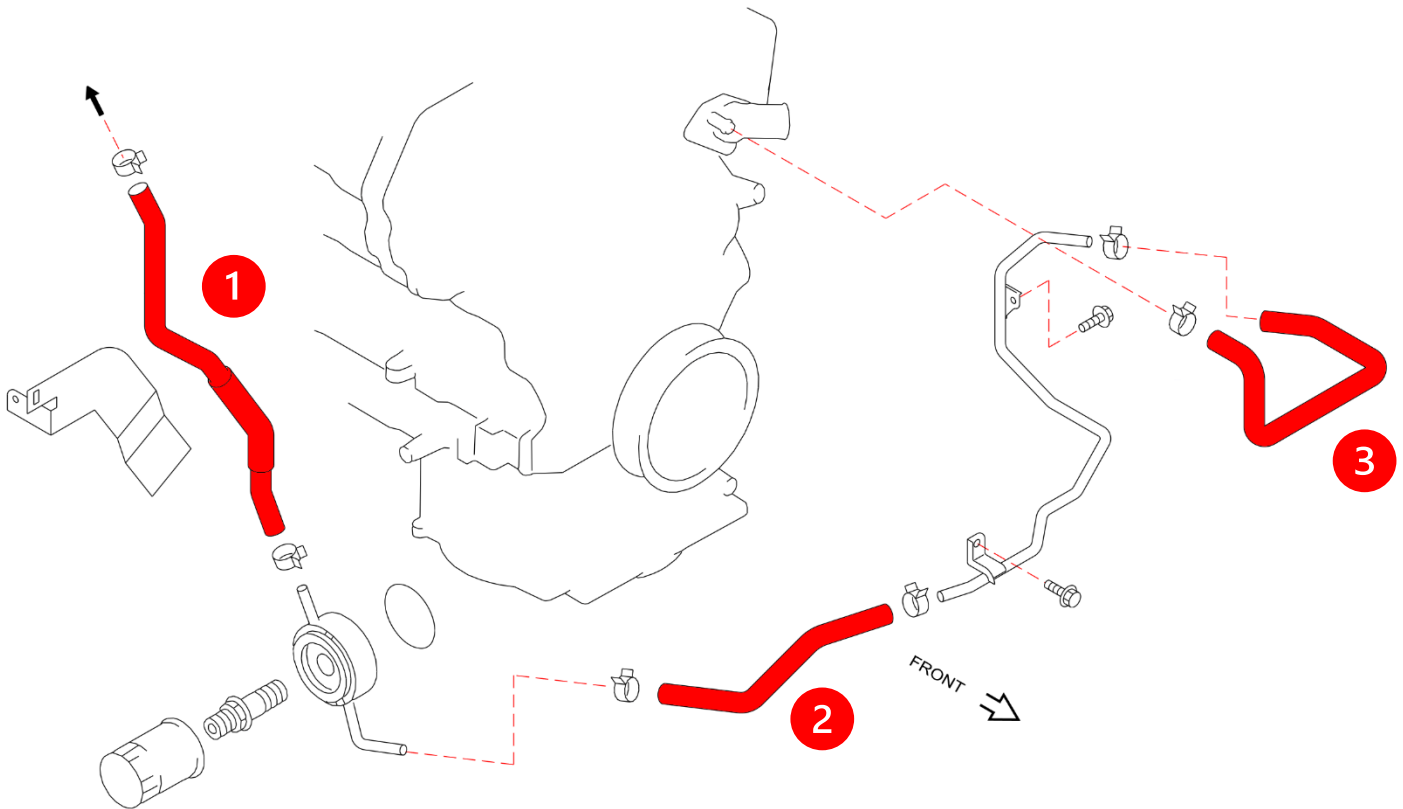


Figure 10

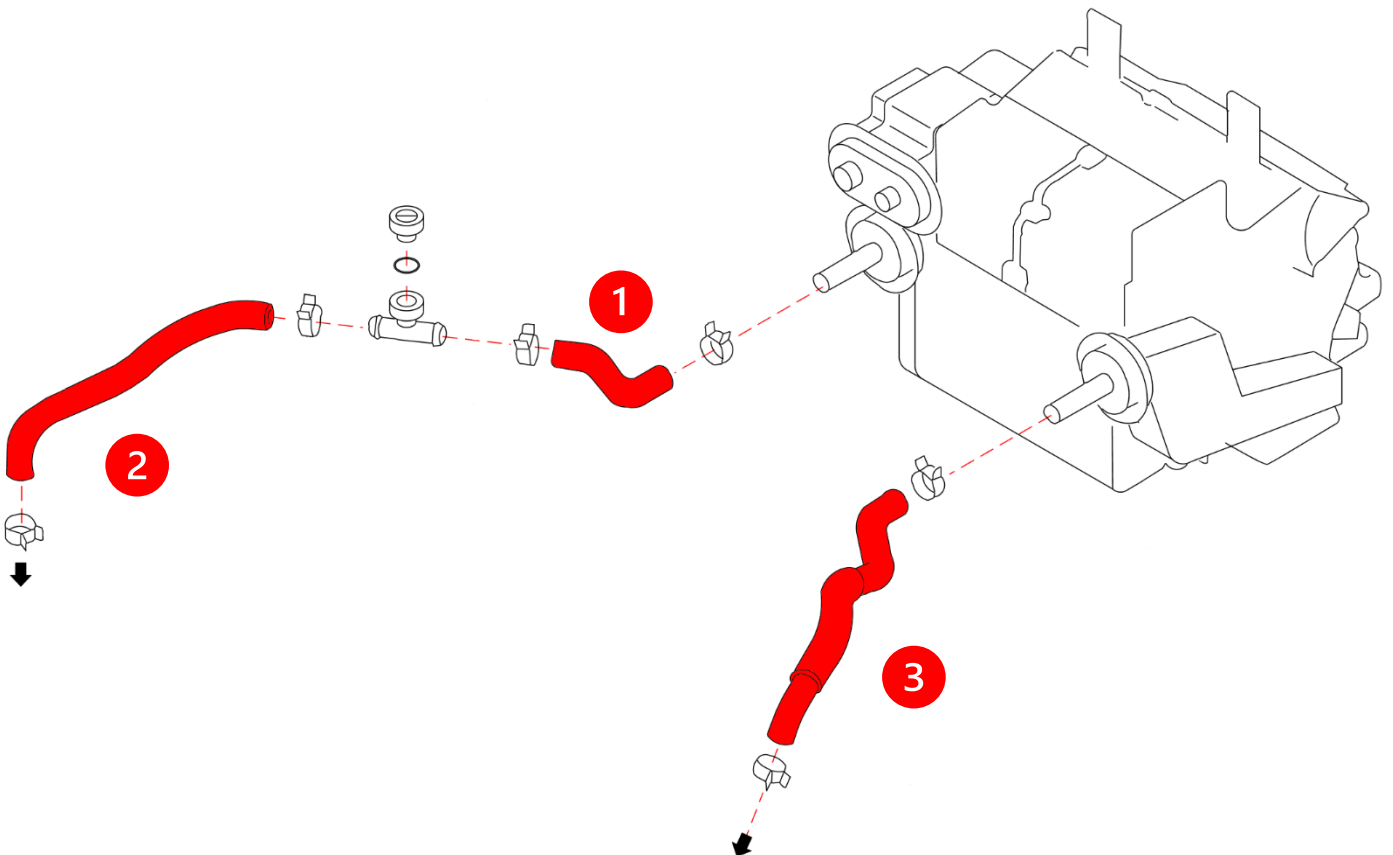
## HEATER HOSE SET:

11. Locate the Z1 Heater Hose Set, containing (3) three hoses, shown below in *Figure 11*.



*Figure 11*

12. Remove the OE Heater Hoses, and replace them with the Z1 Heater Hoses according to *Figure 11* above and *Figure 12* below. Refill and bleed Coolant System in accordance with the Factory Service Manual.



*Figure 12*

## POWER STEERING RESERVOIR HOSE SET:

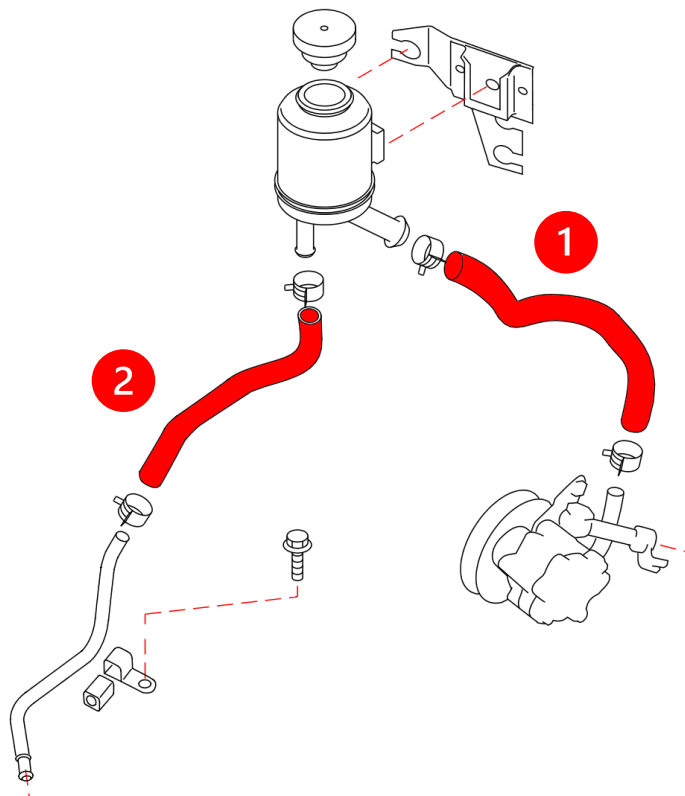
13. Locate the Z1 Power Steering Hose Set, containing (2) two hoses, shown below in *Figure 13*.



*Figure 13*

14. Remove the OE Power Steering Hoses, and replace them with the Z1 Power Steering Hoses according to *Figure 13* above and *Figure 14* below. Refill and bleed Power Steering System in accordance with the Factory Service Manual.

**NOTE:** The included Power Steering Return Hose is intended for 350Z or G35 Coupes, not G35 Sedans.



*Figure 14*

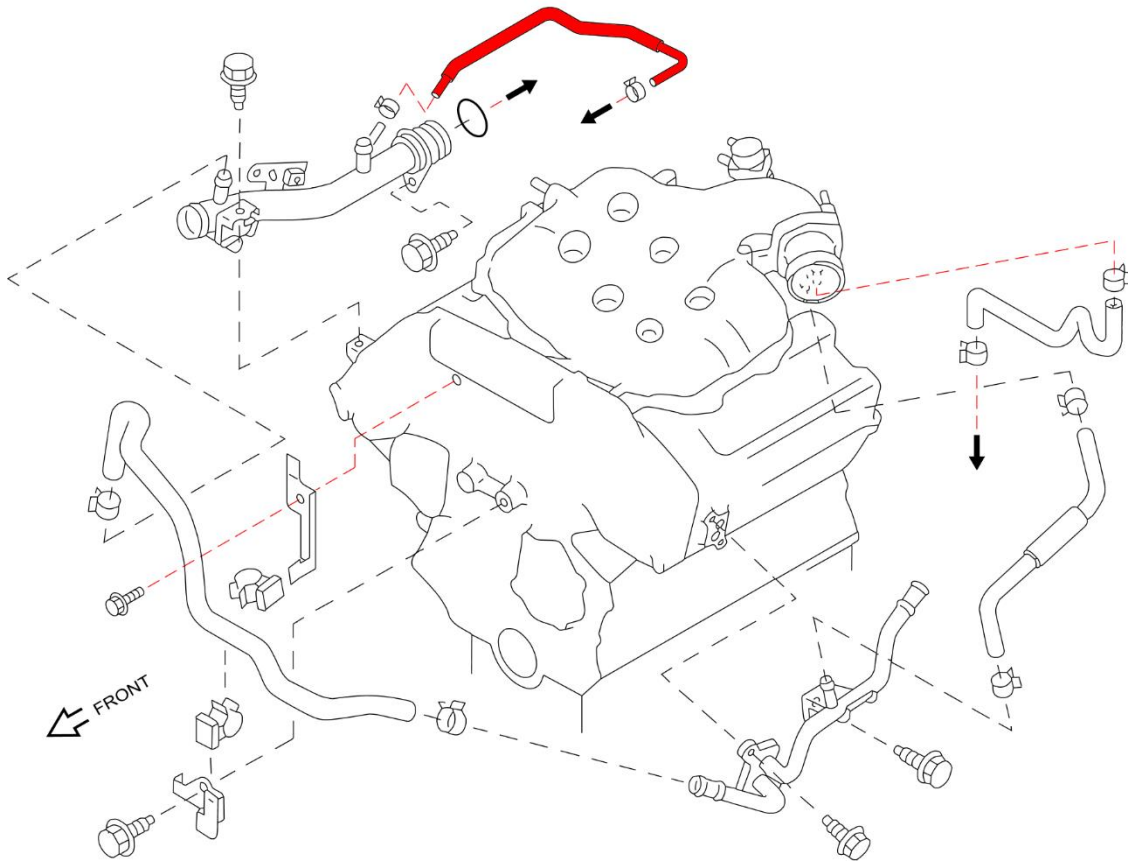
## COOLANT BYPASS HOSE:

15. Locate the Z1 Coolant Bypass Hose, shown below in *Figure 15*.



*Figure 15*

16. Remove the OE Coolant Bypass Hose, and replace it with the Z1 Coolant Bypass Hose according to *Figure 15* above and *Figure 16* below. Refill and bleed Coolant System in accordance with the Factory Service Manual.



*Figure 16*

**END**

**Additional Technical Support:**

Contact Z1 Motorsports at [info@z1motorsports.com](mailto:info@z1motorsports.com)

Or call 770-838-7777 between 9am and 6pm ET