

Z1 G35 STEERING WHEEL CONTROL BRACKET INSTALLATION MANUAL



This Installation Manual is intended for the following models:

2003-2007	Infiniti G35 (Coupe)
2003-2006	Infiniti G35 (Sedan)

PROLOGUE:

Study these instructions completely before proceeding to assembly. The installer must have a thorough knowledge of automotive systems operation. If unfamiliar with any of the concepts outlined in this instruction, we recommend the installation be completed by a qualified professional.

WARNING!

Extreme caution should be taken when performing maintenance or performance upgrades to your vehicle. Please observe and abide by any Warning or Caution labels placed on the various components and tools used when servicing your vehicle. If you have any questions regarding installation or the various components included with the Z1 Motorsports G35 Steering Wheel Control Bracket, consult with a Professional Mechanic, or contact Z1 Motorsports for more information.

Item	Quantity	Description
1	1	Steering Wheel Control Bracket

TOOLS REQUIRED:

- Hydraulic Jack
- (2) 2-Ton (or greater) Jack Stands
- Ratchet
- Ratchet Extension(s)
- Assorted Metric Wrenches
- Assorted Metric Sockets
- Torque Wrench
- TORX T30 Bit
- Screwdrivers

SAFETY REQUIREMENTS:

- Always wear safety glasses and any necessary protective garments. If using any fluids, chemicals, or solvents, a respirator is recommended.
- Always turn the ignition to the OFF position and disconnect the NEGATIVE battery terminal.
- Always use properly rated jack stands when working under your vehicle.
- Always keep limbs and parts away from moving drivetrain parts.
- Only operate drivetrain in safe space and well-ventilated areas.

BEFORE YOU BEGIN:

Remove contents from the Z1 Motorsports G35 Steering Wheel Control Bracket and verify that ALL necessary hardware is present.

This guide assumes you have a Z1 Motorsports Steering Wheel Hub Adaptor, or another equivalent Hub Adaptor. This bracket will not work with a factory Steering Wheel.

PROCEDURE:

1. Place the transmission in Park position (or in Reverse gear if equipped with a manual transmission). Apply the parking brake.
2. Open and support the hood of the Vehicle.
3. Turn the Steering Wheel until the wheel and wheels are straight.
4. Disconnect the **NEGATIVE (-)** battery terminal.
5. Remove your Steering Wheel if you have not done so already. You can find the guide to remove your Steering Wheel and install a Z1 Steering Wheel Hub Adaptor [HERE](#).
6. Remove your Steering Wheel Controls from your OE Steering Wheel. They are held on by (2) two bolts on the front of the Steering Wheel, and (4) screws on the back of the Steering Wheel. *Figure 1* and *Figure 2*.

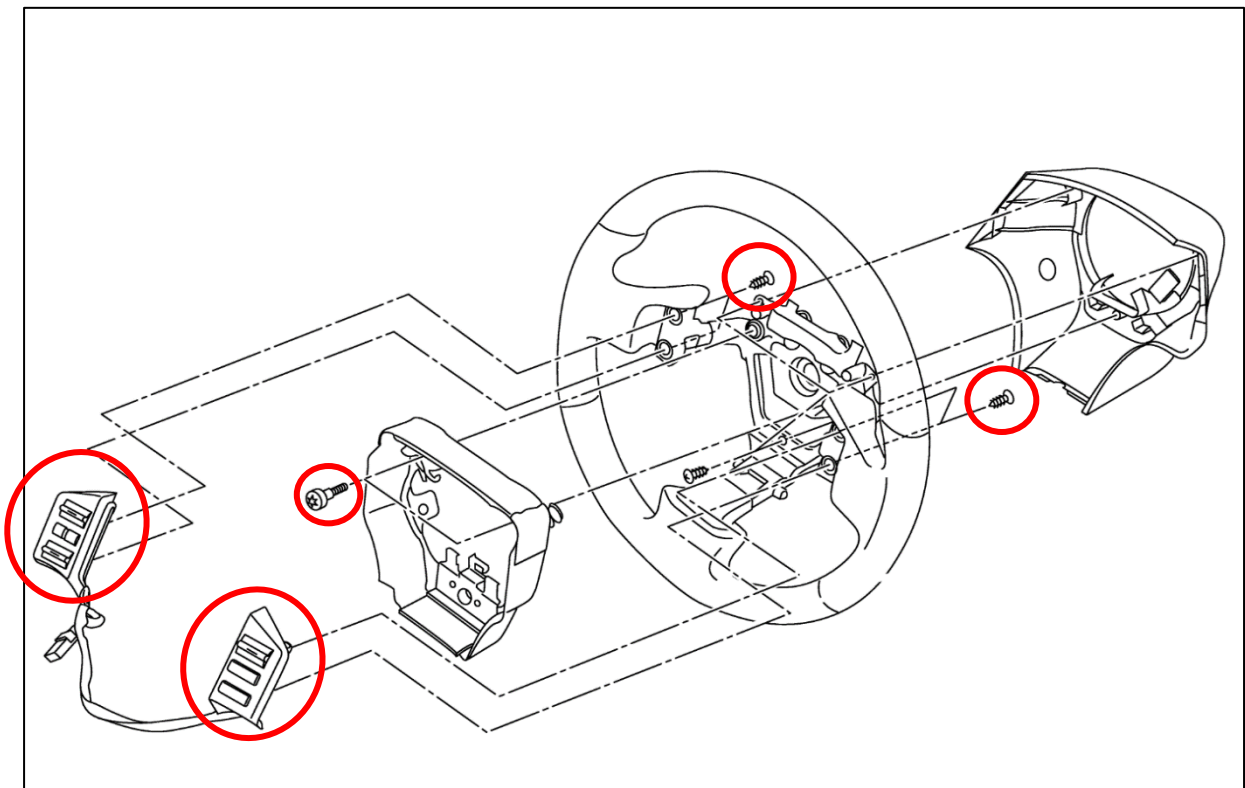


Figure 1



Figure 2

7. Locate the Steering Control Bracket. Connect the OE Steering Wheel Controls to the Adaptor as shown below in *Figure 3*.

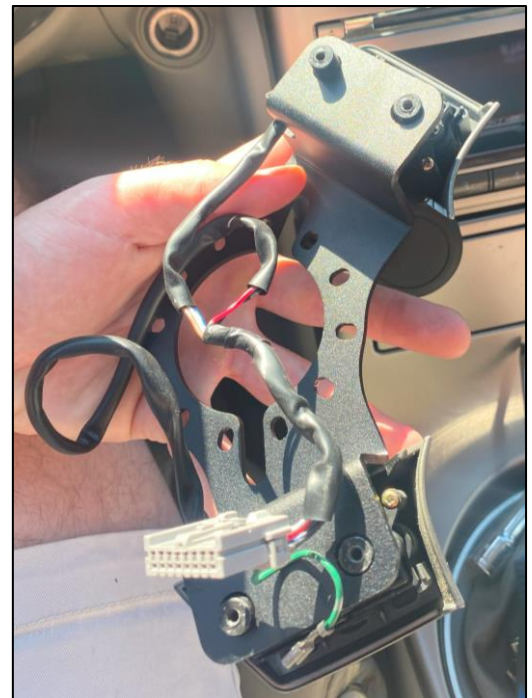


Figure 3

8. Locate (4) four Control Bracket Spacers and the OE Hardware removed in *Step 6* that secured the Steering Wheel Controls to the OE Steering Wheel. Place the Spacer over the Steering Control Bracket tab and secure with the OE Hardware. *Figure 4*.

NOTE: The Figure below is of a 350Z Bracket, the process is the same.

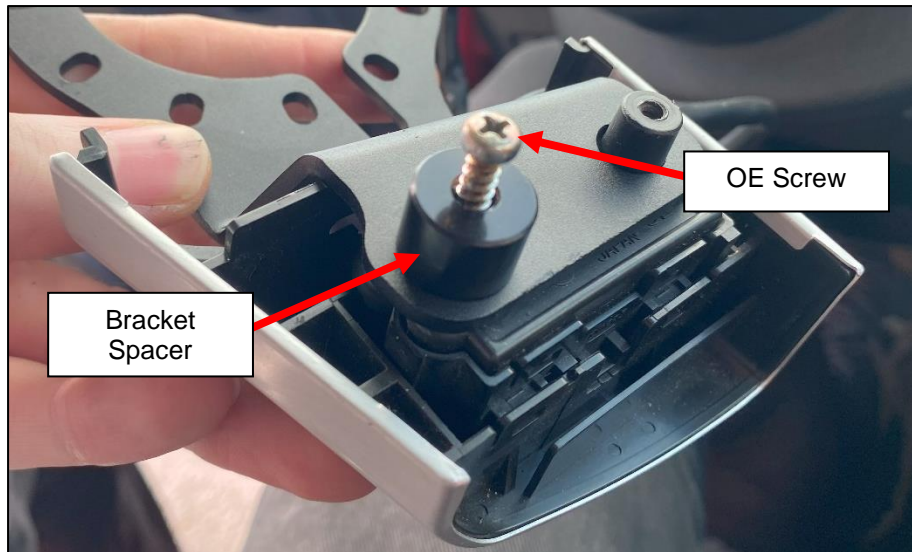


Figure 4

9. Position the Steering Control Bracket on to the Hub Adaptor as shown below in *Figure 5*.

NOTE: The Figure below is of a 350Z Bracket, the process is still the same.



Figure 5

10. Secure the Steering Control Bracket with either a Quick Release Hub (Figure 6) or a Steering Wheel (Figure 7) of your choice to the Wheel Hub with (6) six Hex Head Screws.



Figure 7



Figure 7

11. Your Z1 Steering Control Bracket is now installed, if you are using any of the below products, follow the instructions included with them below:

- [G35 Steering Wheel Hub Adaptor](#)
- [Z1 Steering Wheel Quick Release](#)
- [Z1 Steering Wheel Spacer](#)

END

Additional Technical Support:
Contact Z1 Motorsports at info@z1motorsports.com
Or call 770-838-7777 between 9am and 6pm ET