

Z1 Z COMPETITION EXHAUST INSTALLATION MANUAL



This Installation Manual is intended for the following models:

2023+

Nissan Z

PROLOGUE:

Study these instructions completely before proceeding to assembly. The installer must have a thorough knowledge of automotive systems operation. If unfamiliar with any of the concepts outlined in this instruction, we recommend the installation be completed by a qualified professional.

WARNING!

Extreme caution should be taken when performing maintenance or performance upgrades to your vehicle. Please observe and abide by any Warning or Caution labels placed on the various components and tools used when servicing your vehicle. If you have any questions regarding installation or the various components included with the Z1 Motorsports Z Competition Exhaust, consult with a Professional Mechanic, or contact Z1 Motorsports for more information.

PARTS INCLUDED:

Item	Quantity	Description
1	1	Straight Pipe Axle-Back
2	1	Mid-Pipe
3	1	Resonator
4	3	Exhaust Gasket
5	2	Exhaust Clamp
6	6	M10 Bolt
7	6	M10 Nut
8	2	Exhaust Tip
9	4	Swivel Tip Clamp
10	2	Tailpipe

TOOLS REQUIRED:

- Hydraulic Jack
- (2) 2-Ton (or greater) Jack Stands
- Ratchet
- Ratchet Extension(s)
- Assorted Metric Wrenches
- Assorted Metric Sockets
- Torque Wrench
- Channel Lock Pliers
- Rust Penetrant

SAFETY REQUIREMENTS:

- Always wear safety glasses and any necessary protective garments. If using any fluids, chemicals, or solvents, a respirator is recommended.
- Always turn the ignition to the OFF position and disconnect the NEGATIVE battery terminal.
- Always use properly rated jack stands when working under your vehicle.
- Always keep limbs and parts away from moving drivetrain parts.
- Only operate drivetrain in safe space and well-ventilated areas.

BEFORE YOU BEGIN:

Remove contents from the Z1 Motorsports Z Competition Exhaust and verify that ALL necessary hardware is present.

PROCEDURE:

1. Place the transmission in Park position (or in Reverse gear if equipped with a manual transmission). Apply the parking brake.
2. Locate the proper jacking points on the vehicle's chassis (refer to the Vehicle's Owner's Manual). Raise and support the vehicle using a jack and jack stands.
3. Remove the OE Catback Exhaust System but leave the Exhaust Hangers. If you are replacing the Y-Pipe, do this at this point as well. Using a Rust Penetrant on all exhaust hardware to help easily remove hardware. *Figure 1.*

NOTE: Refer to the [Standard Y-Pipe](#) or [Premium Y-Pipe](#) Installation Guides for Y-Pipe removal and installation.

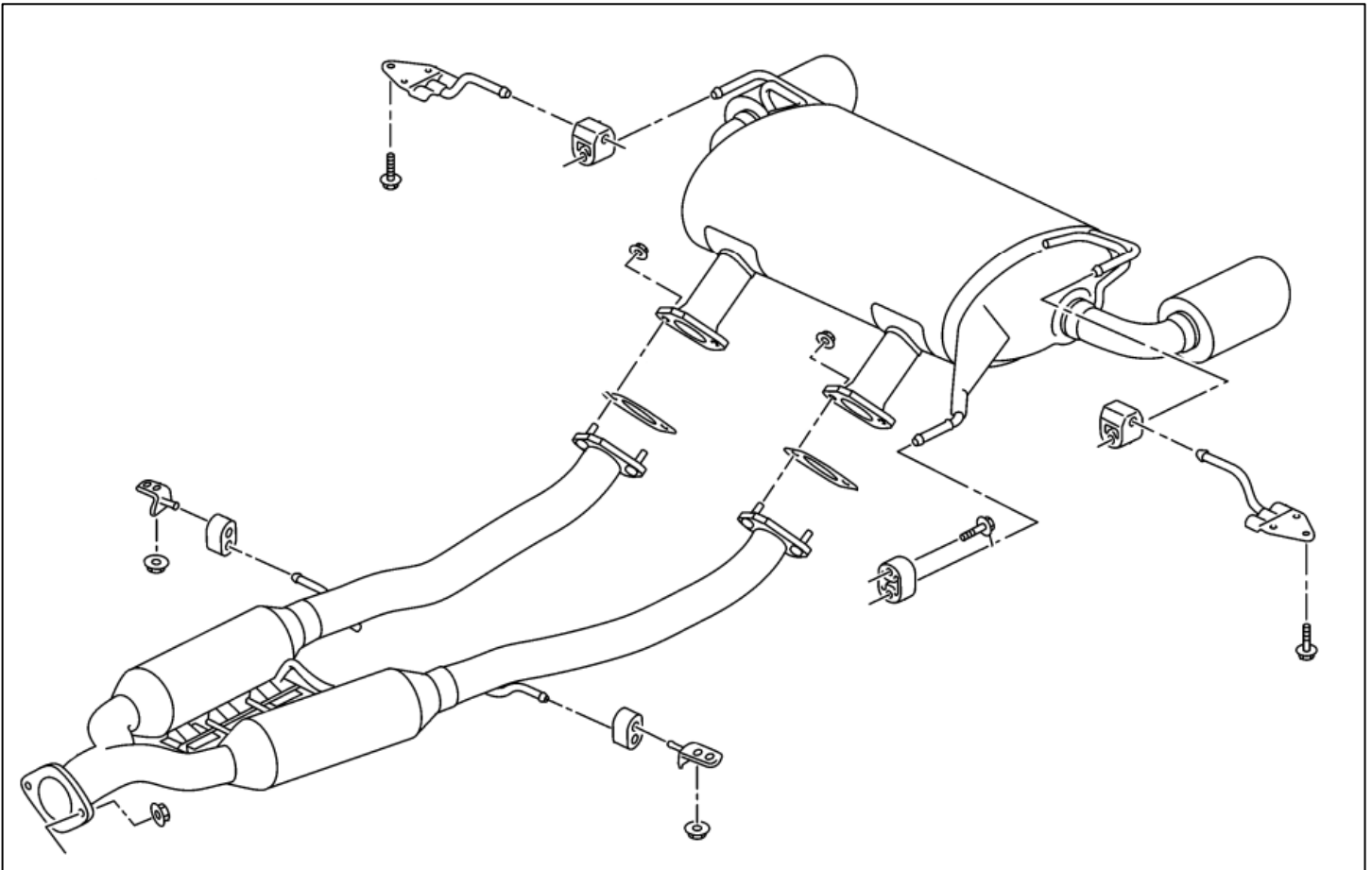


Figure 1

4. If you are installing a Y-Pipe, loosely install that first. Refer to the Install Guides linked in *Step 3*.
5. Locate the Straight Pipe Axle-Back and position it into the rear hangers of the vehicle. *Figure 2*.

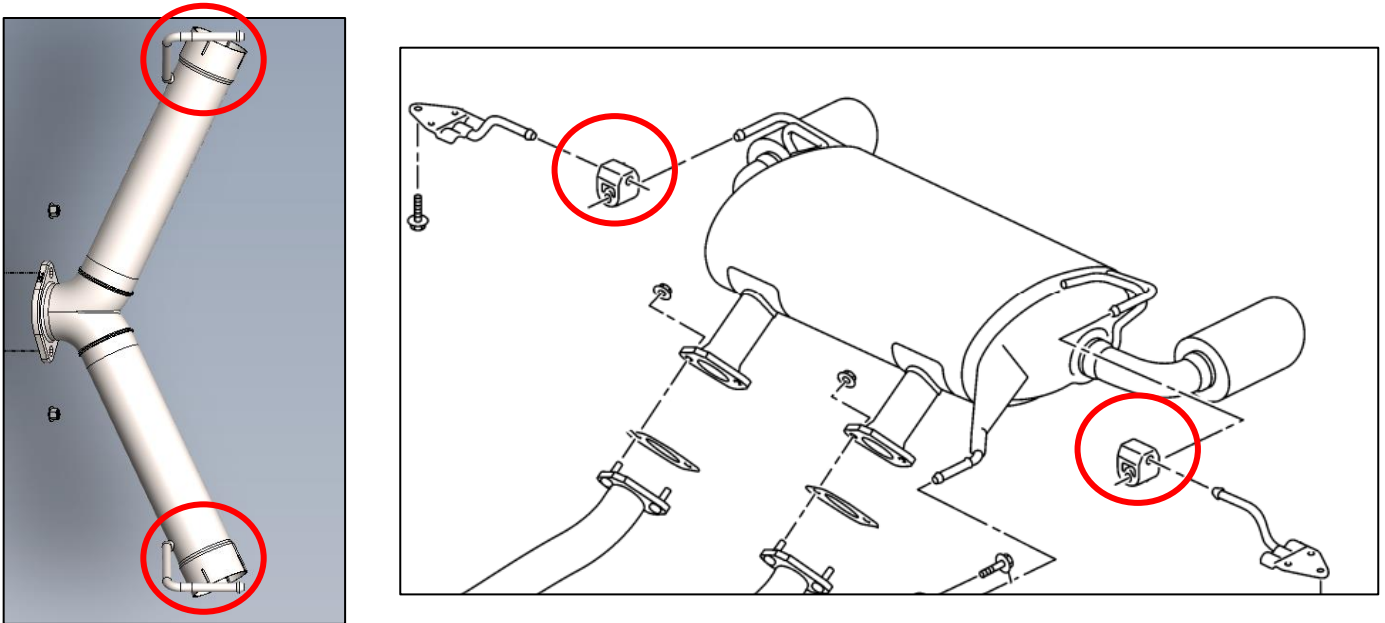


Figure 2

6. Locate the Mid-Pipe, (1) one Exhaust Gasket, (2) two M10 Bolts and (2) two M10 Nuts. Place the Mid-Pipe in the OE Exhaust Hanger and join the flanged end to the Axle-Back with an Exhaust Gasket in between them. Loosely secure them together with an M10 Bolt and Nut on each side of the flange. *Figure 3*.

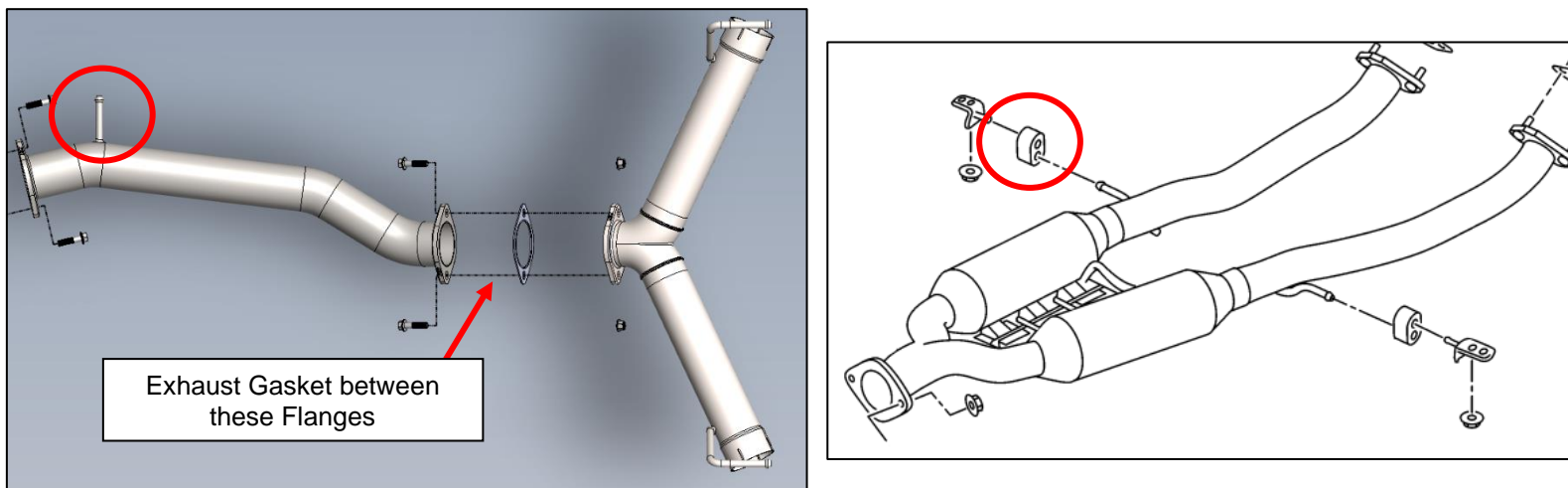


Figure 3

7. Locate the Resonator, (2) two Exhaust Gaskets, (4) four M10 Bolts and (4) four M10 Nuts. Position the Resonator as shown with an Exhaust Gasket between each flange. Loosely secure with the M10 Hardware at each flange. *Figure 4.*

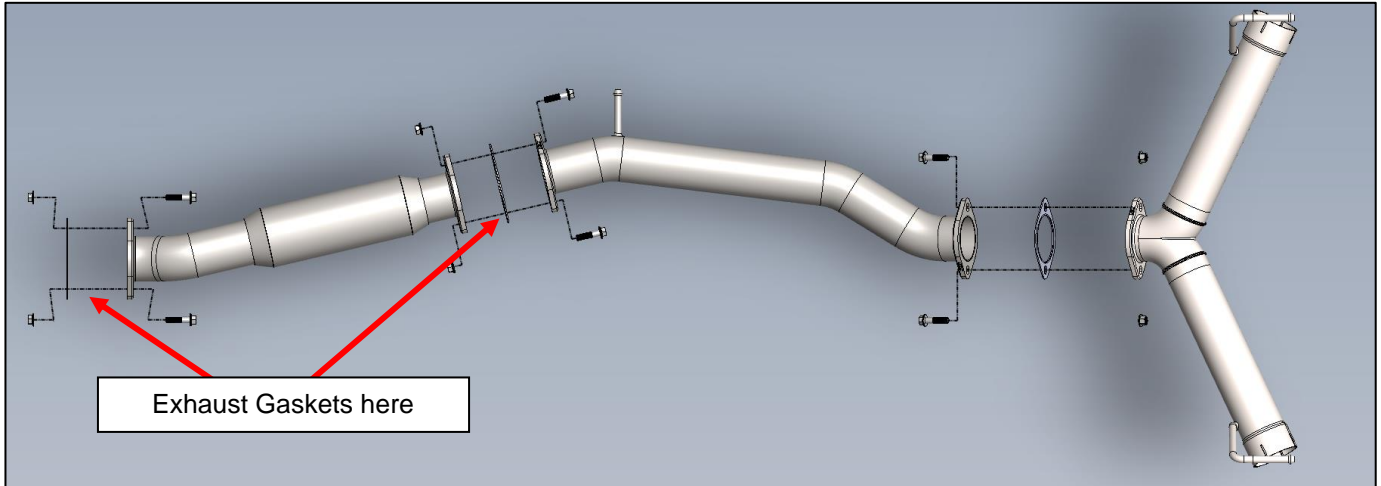


Figure 4

8. Locate the Tailpipes, Exhaust Tips and the (4) four Swivel Tip Clamps. Install an Exhaust Tip onto each Tailpipe and loosely secure with a Clamp. Insert each Tailpipe into the Axle Back exits and loosely secure with a clamp. *Figure 5.*



Figure 5

9. Tighten all Exhaust Hardware (except the Tailpipes) starting from the front of the vehicle at the Y-Pipe. Torque all Exhaust Hardware to **43 ft-lbs.**
10. Adjust the Tailpipes and Exhaust tips to your desired fitment. Once positioned, tighten the (4) four Swivel Tip Clamps.
11. Wipe down the Exhaust to remove any grease, debris and fingerprints.
12. Start the vehicle. Check for any exhaust leaks and tighten hardware as necessary.



END

Additional Technical Support:
Contact Z1 Motorsports at info@z1motorsports.com
Or call 770-838-7777 between 9am and 6pm ET