

# Z1 Z STEERING WHEEL HUB ADAPTOR INSTALLATION MANUAL



This Installation Manual is intended for the following models:

2023+

Nissan Z

## PROLOGUE:

Study these instructions completely before proceeding to assembly. The installer must have a thorough knowledge of automotive systems operation. If unfamiliar with any of the concepts outlined in this instruction, we recommend the installation be completed by a qualified professional.

## WARNING!

Extreme caution should be taken when performing maintenance or performance upgrades to your vehicle. Please observe and abide by any Warning or Caution labels placed on the various components and tools used when servicing your vehicle. If you have any questions regarding installation or the various components included with the Z1 Motorsports Z Steering Wheel Hub Adaptor, consult with a Professional Mechanic, or contact Z1 Motorsports for more information.

## **PARTS INCLUDED:**

Item	Quantity	Description
1	1	Steering Wheel Hub Adaptor
2	2	Airbag Resistor

## **TOOLS REQUIRED:**

- Ratchet
- Ratchet Extension(s)
- Assorted Metric Wrenches
- Assorted Metric Sockets
- Torque Wrench
- Impact Gun (Recommended)
- Steering Wheel Puller (Recommended)
- Flat Head Screwdriver
- Electrical Tape

## **SAFETY REQUIREMENTS:**

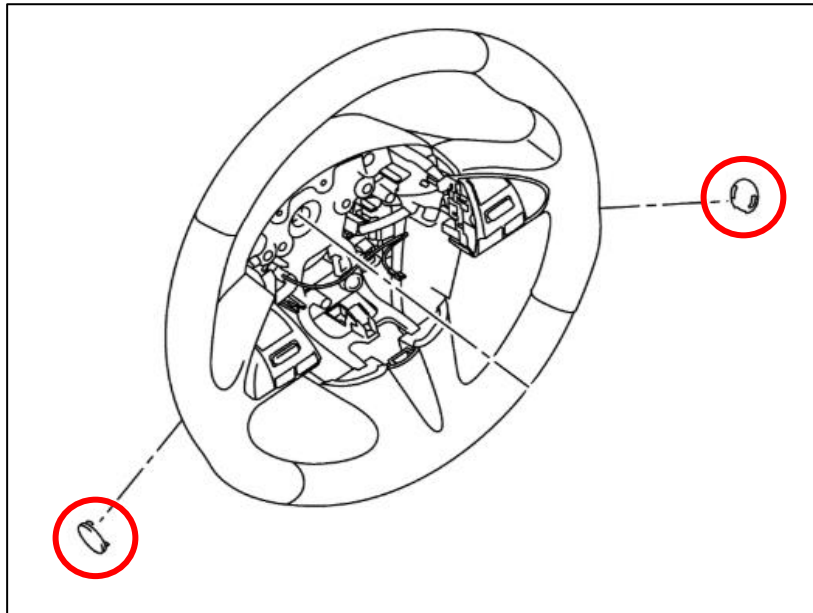
- Always wear safety glasses and any necessary protective garments. If using any fluids, chemicals, or solvents, a respirator is recommended.
- Always turn the ignition to the OFF position and disconnect the NEGATIVE battery terminal.
- Always use properly rated jack stands when working under your vehicle.
- Always keep limbs and parts away from moving drivetrain parts.
- Only operate drivetrain in safe space and well-ventilated areas.

## **BEFORE YOU BEGIN:**

Remove contents from the Z1 Motorsports Z Steering Wheel Hub Adaptor and verify that ALL necessary hardware is present.

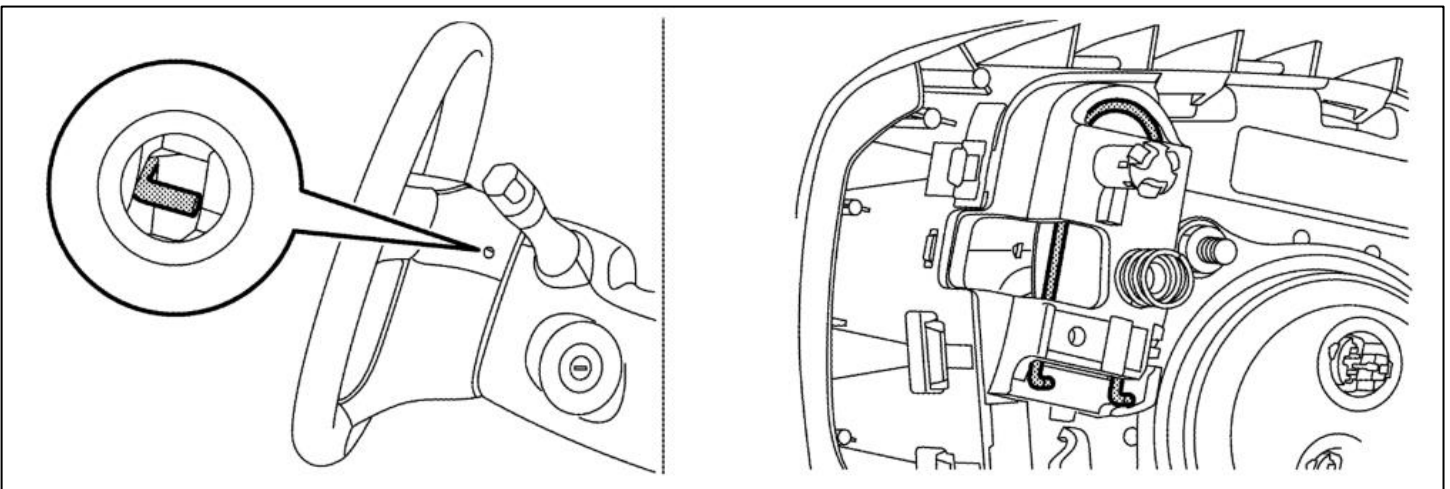
## PROCEDURE:

1. Place the transmission in Park position (or in Reverse gear if equipped with a manual transmission). Apply the parking brake.
2. Open and support the hood of the Vehicle.
3. Turn the Steering Wheel until the wheel and wheels are straight.
4. Disconnect the **NEGATIVE (-)** battery terminal.
5. Let the car sit for half an hour, this will allow all power to drain out to prevent the airbag from potentially going off.
6. Remove the (2) two Covers on the side of the Steering Wheel. *Figure 1.*



*Figure 1*

7. Look through the holes in the side of the Steering Wheel uncovered in *Step 6.* Check the position of the Torsion Springs that secure the Airbag. *Figure 2.*



*Figure 2*

8. Insert a Flat Head Screwdriver (A) into the hole on either side of the Steering Wheel and position the head of the Screwdriver onto the Torsion Spring (1). *Figure 3.*

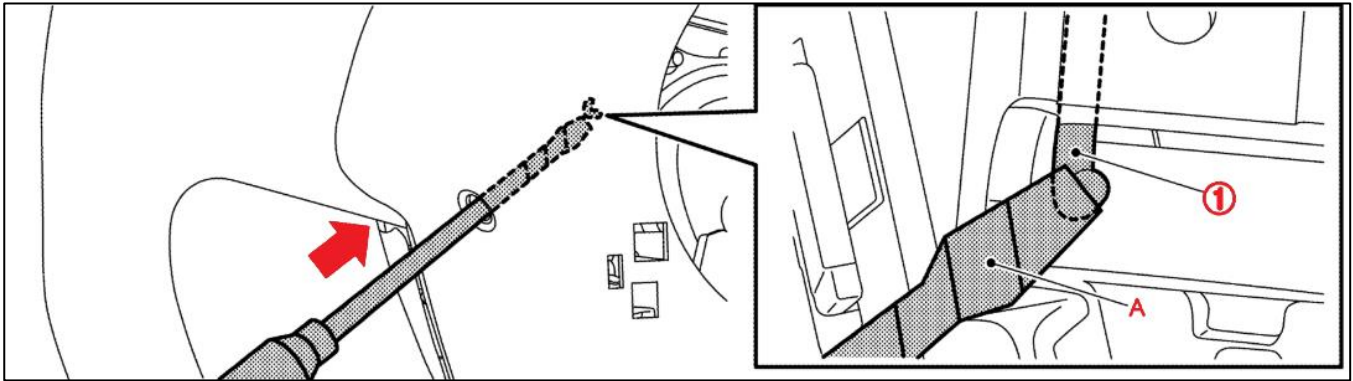


Figure 3

9. Press and hold the Airbag on the side where the Screwdriver is inserted. *Figure 4.*

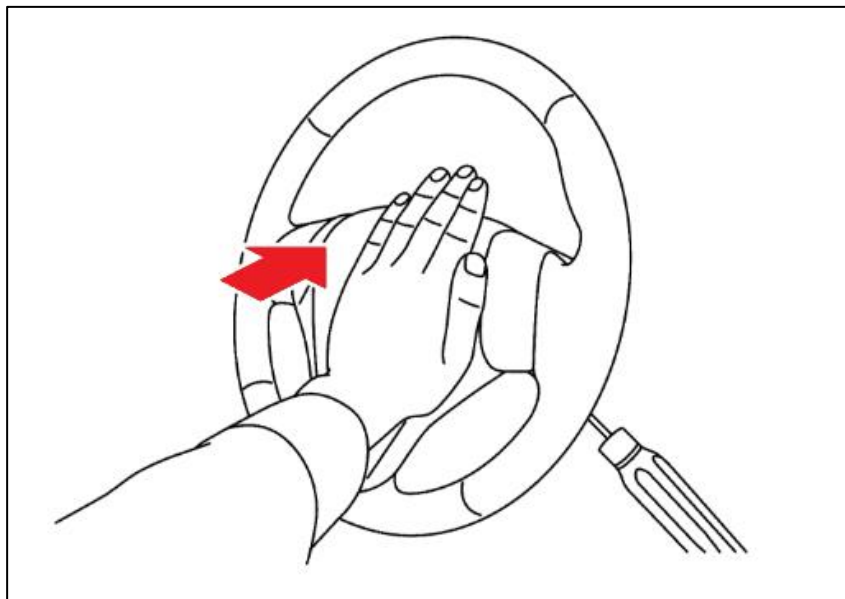


Figure 4

10. Press and disengage the Torsion Spring (1) with the inserted Screwdriver (A). *Figure 5.*

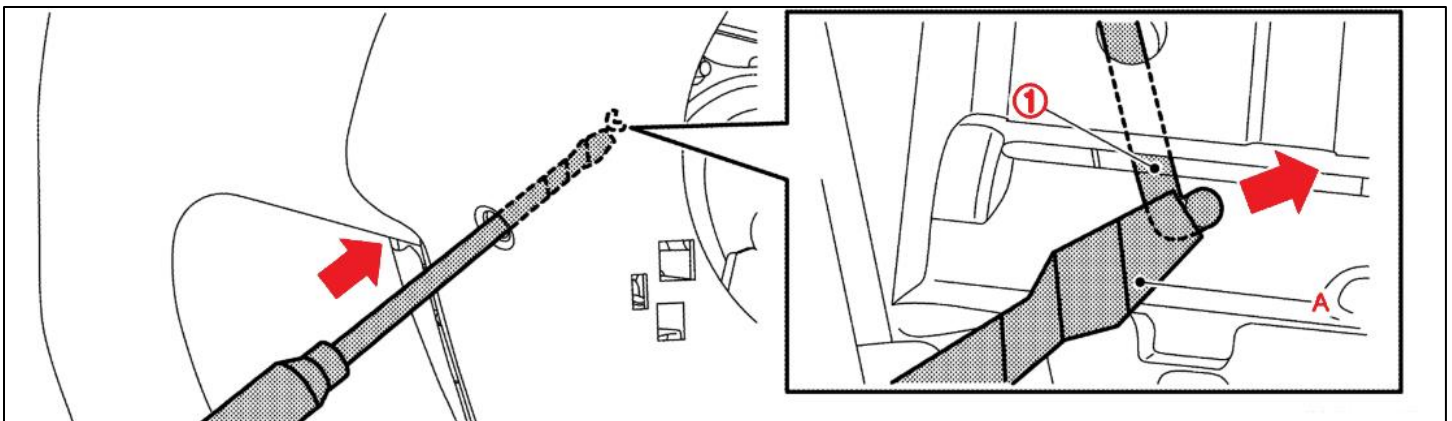
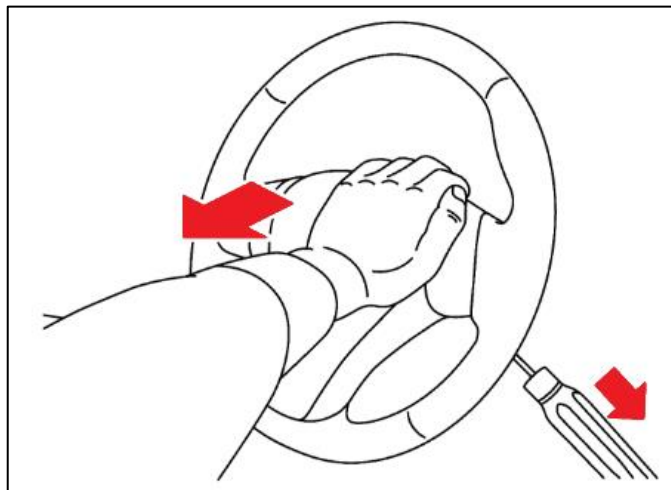


Figure 5

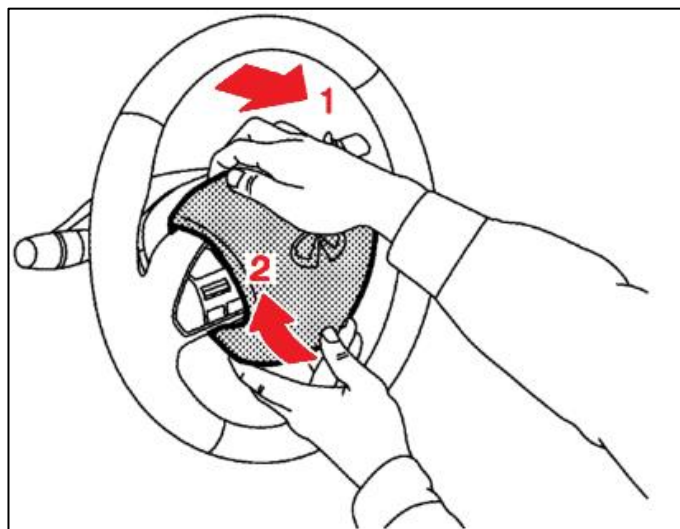
11. Pull the Airbag and remove the Screwdriver from the Steering Wheel. *Figure 6.*



*Figure 6*

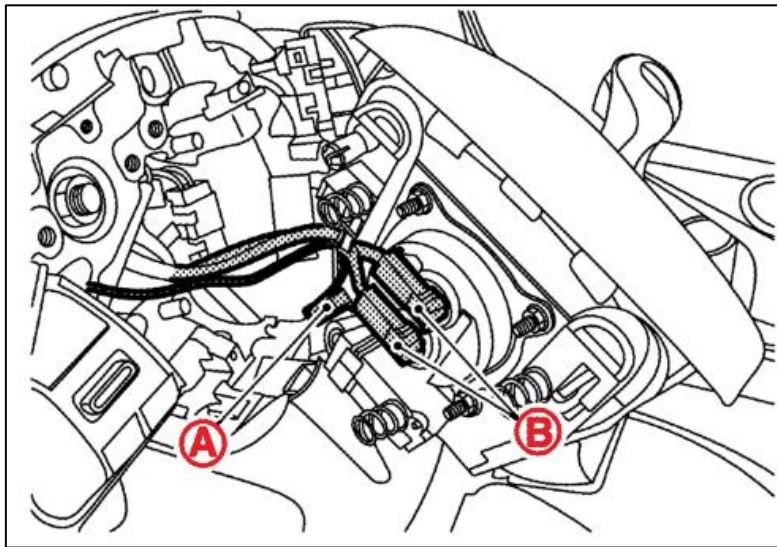
12. Disconnect the Remaining Torsion Springs on each side.

13. Lift up on the Airbag from the bottom while pulling the Airbag towards you to remove the Airbag. *Figure 7.*



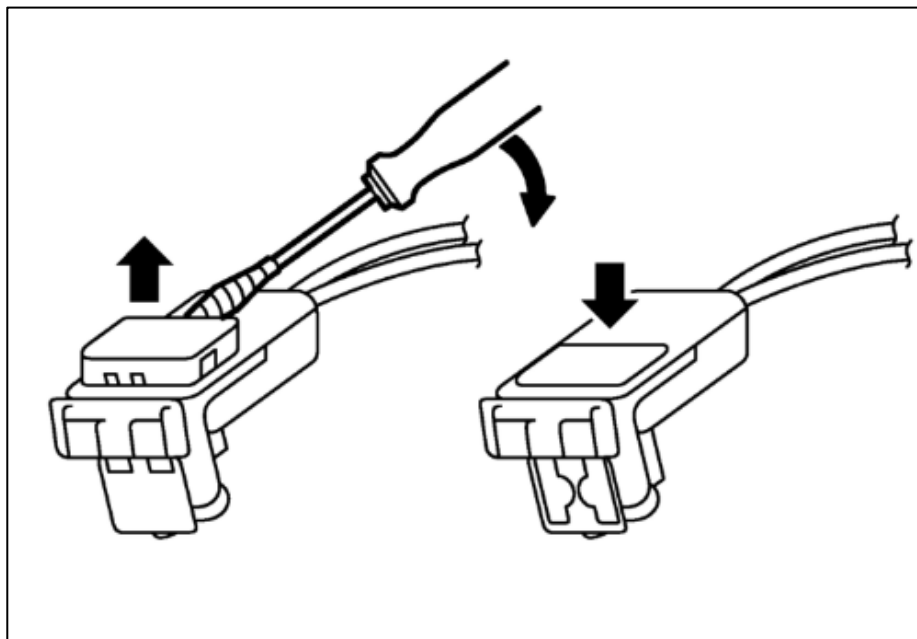
*Figure 7*

14. Disconnect the (2) two connectors for the Airbag (B). *Figure 8.*



*Figure 8*

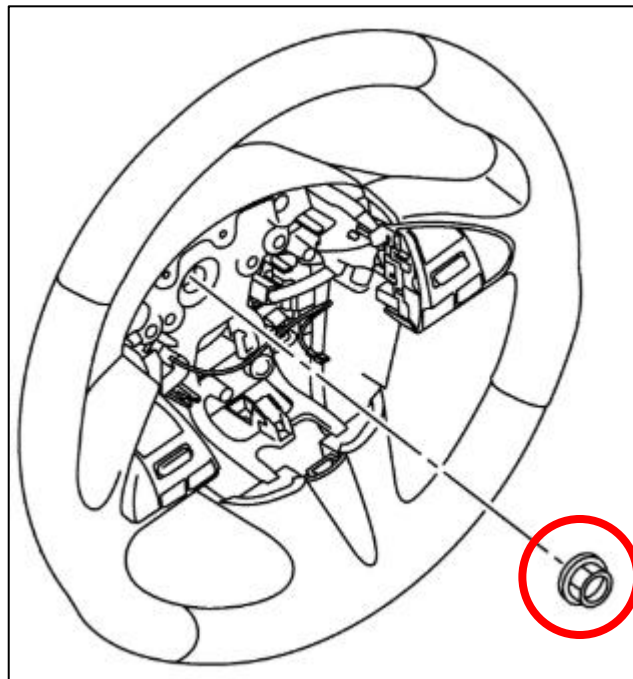
**NOTE:** The connectors have a small clip that must be pushed upwards to remove. *Figure 9.*



*Figure 9*

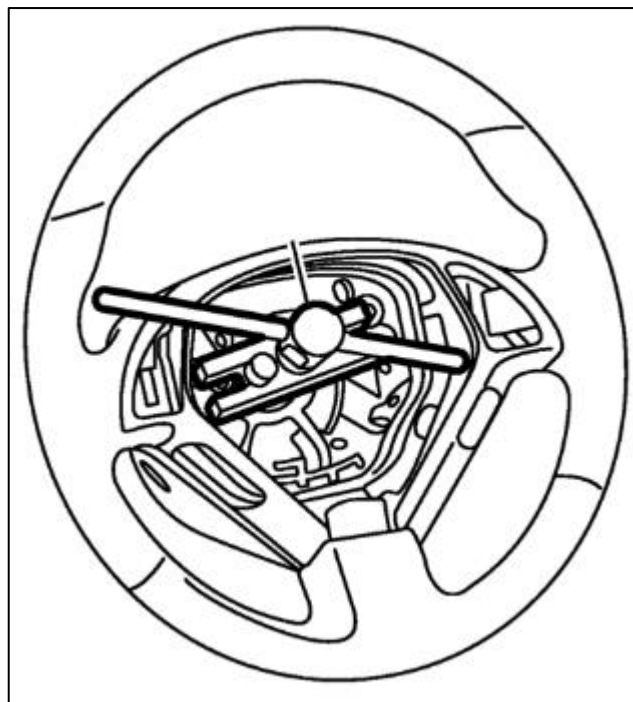
15. Disconnect the Horn Connector and the Gray Connector for the Button Controls (A) on the Steering Wheel and remove the Airbag.

16. Using an impact gun, remove the nut in the center of the steering wheel. *Figure 10.*



*Figure 10*

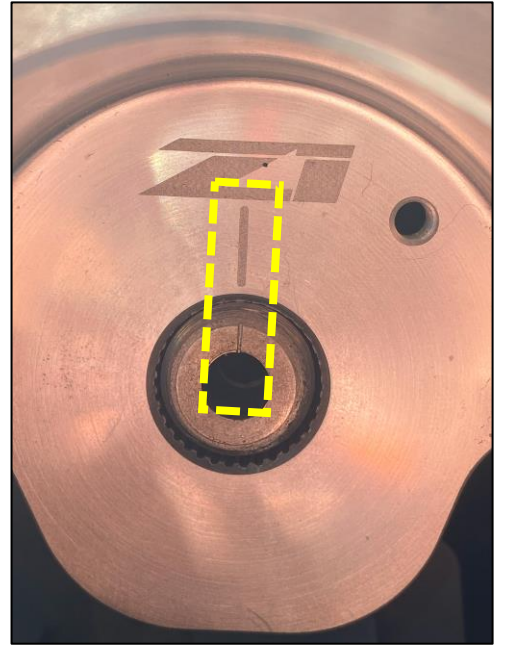
17. Using a Steering Wheel Puller, remove the OE Steering Wheel. If you do not have a Steering Wheel Puller, grab the Steering Wheel at the top and bottom, and rock the wheel back and forth to loosen it. *Figure 11.*



*Figure 11*

18. Place the Z1 Steering Wheel Hub Adaptor on the Steering Shaft. Feed the Horn Wire, Button Control Wire, and the Airbag wires through the openings. Line up the Dash on the Steering Hub Adaptor with the Dash on the Steering Shaft Splines. *Figure 12.*

**NOTE:** The following Steps show the Wheel Hub Adaptor being installed onto a Nissan 350Z. The Installation Process is the same.



*Figure 12*

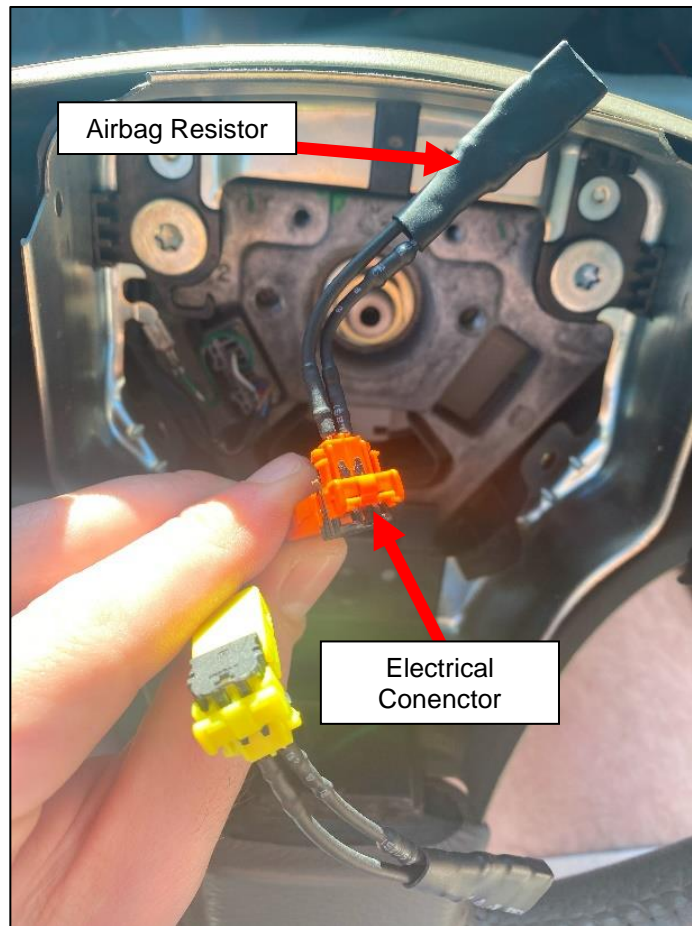
19. Reinstall the OE Nut removed in *Step 11* to the Steering Shaft. Torque to **25 ft-lbs.** *Figure 13.*



*Figure 13*



20. Locate the (2) two Airbag Resistors. Plug (1) one into each Airbag Connector disconnected in *Step 14*. These will prevent the car from throwing an Airbag Code. *Figure 14*.



*Figure 14*

21. Wrap the Horn Wire and Steering Control Wires in Electrical Tape and tuck them into the Steering Wheel Hub.
22. Your Z1 Steering Wheel Hub Adaptor is now installed, if you are using any of the below products, follow the instructions included with them below:
- [Z1 Steering Wheel Quick Release](#)
  - [Z1 Steering Wheel Spacer](#)

**END**

**Additional Technical Support:**  
Contact Z1 Motorsports at [info@z1motorsports.com](mailto:info@z1motorsports.com)  
Or call 770-838-7777 between 9am and 6pm ET