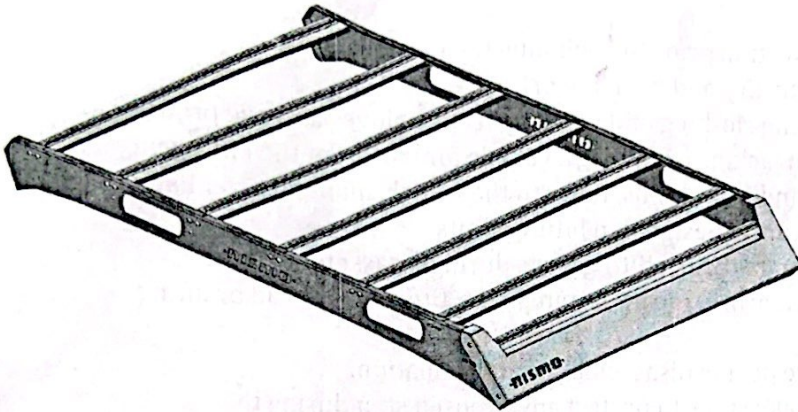


Nismo Roof Rack

INSTALLATION INSTRUCTIONS



PART NO.

- 73159-D41RR

PRODUCT DESCRIPTION:

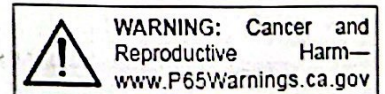
- LOW PROFILE ROOF RACK

APPLICATION:

- NISSAN FRONTIER

PRODUCT SAFETY & LEGAL DISCLAIMER

- **IMPORTANT READ ALL INSTRUCTIONS CAREFULLY BEFORE INSTALLING. FAILURE TO DO SO MAY CAUSE PERSONAL INJURY OR DAMAGE TO PRODUCT AND/OR PROPERTY.**
- Review the product package and contents prior to beginning the installation. Take care when opening the packaging and removing items. If a return is needed you will want to return the product in its original packaging if possible.
- This instruction guide is provided as a GENERAL installation guide, some vehicles vary dimensionally and may require additional steps.
- Test fit the product on the vehicle prior to any third party modifications and or finishing. The manufacturer and/or distributors do not accept responsibility for third party charges, labor and or third part replacement modifications. Some modifications may void the factory warranty.
- Exercise due-diligence when installing this product. The manufacturer and distributors of this product do not accept any responsibility for vehicle damage or personal injury resulting from the installation of this product. Careless installation and operation can result in serious injury or equipment damage.
- This product is for general off-road use. All liability for installation and use rests with the owner/operator.
- INSTALLER: Once installation is complete, please return this guide along with other documentation included in this product back to the consumer for future reference. The manufacturer/distributors of this product do not guarantee this particular version will be available at a later date.



Nismo Roof Rack

INSTALLATION INSTRUCTIONS

INJURY HAZARD

Please complete a shop and tool inspection prior to beginning the installation.

- Always make sure you have a clean, dry and well lit work area.
- Always remove jewelry, loose fitting clothing and wear protective gloves and eye protection.
- Always use extreme caution when jacking or raising a vehicle for work. Set the emergency brake and use tire/wheel blocks and jack stands. Refer to the vehicle manufacturer hand book. Utilize the vehicle manufacturers designated lifting points.
- Always use appropriate and adequate care in lifting parts during disassembly and installation. Seek help in lifting heavy or large items into place. Utilize jacks and or lifting devices when available.
- Always insure products are secure during disassembly and installation.
- Always wear eye protection and take steps to protect any exposed skin during the installations. Drilling, cutting and grinding plastic and metal may create flying particles that can cause injury.
- Always use extreme caution when drilling, cutting and or grinding on a vehicle. Thoroughly inspect the area to be drilled, on both sides of material, prior to modification and relocate any objects that may become damaged.
- Always assemble and tighten all fasteners per the installation instructions.
- Always route electrical cables carefully. Avoid moving parts, parts that may become hot and rough or sharp edges.
- Always insulate and protect all exposed wiring and electrical connections.

MAINTENANCE AND CARE

- Always perform regular inspections and maintenance on mounts and related fasteners.
- Periodically check and tighten all fasteners.
- Stripped, fractured, or bent fasteners must be replaced.
- After washing the vehicle make sure to fully dry all surfaces.
- In areas with cold temperatures make sure to wash the product often to remove harmful materials used on road ways.
- Never use abrasive cleaners or polish compounds. Clean with a gentle soap and water. If you use wax use a non-abrasive automotive wax such as pure carnauba wax.

WARNING

Some products have been designed to work together with factory rear sensor systems, factory forward facing sensor systems and factory air bags.

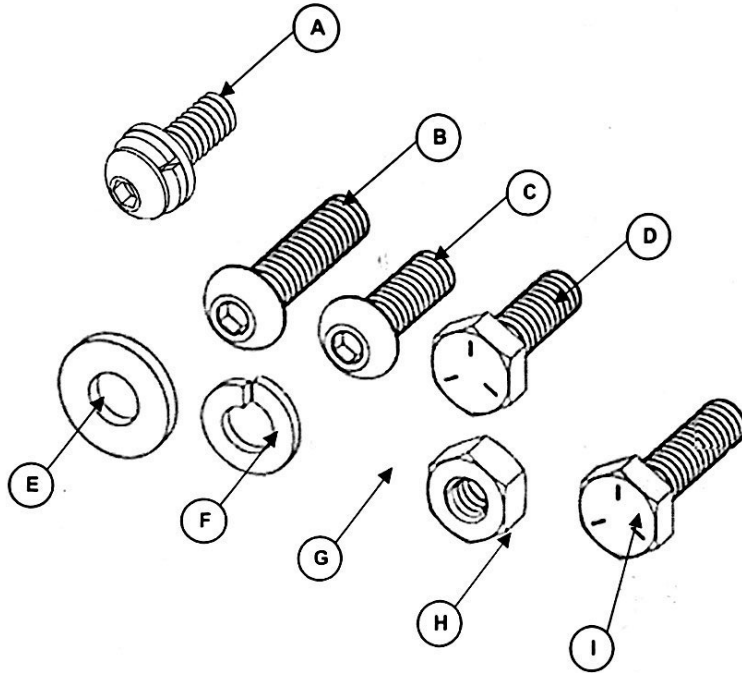
- Installation of some of these products may alter the factory sensor system performance.
- Factory sensors may read shackles or hooks protruding from the fairlead and or tow hooks.
- All sensor testing is completed by Go Rhino Products and or third party testing labs on modified vehicles.
- Sensor sensitivity, factory sensor housing, orientation, and operating conditions are all variables that will influence functionality of the sensors.
- Installation of some product may effect the factory air bag systems.
- Some products allow the use of third party products such as winches, shackles, hooks, etc. Follow the respective manufacturers operating instructions for use with our products.
- Make sure to fully understand the product, it's intended use and operation prior to use.
- Above all... be safe!

Nismo Roof Rack

INSTALLATION INSTRUCTIONS

PARTS INCLUDED IN THIS LIST:

ITEM	QTY.	DESCRIPTION	ITEM	QTY.	DESCRIPTION
A	28	1/4 x 3/4 SEMS bolt	G	15	1/4" Hex Nut
B	4	1/4" x 1" Button Head Screw	H	8	1/4" x 1 1/4" Hex Bolt
C	4	1/4" x 3/4" Button Head Screw			
D	3	1/4" x 3/4" Hex Bolt			
E	16	1/4" Flat Washer			
F	19	1/4" Lock Washer			



TOOLS NEEDED FOR INSTALLATION:

- 5/32" Hex Bit Socket
- 7/16" Socket
- 7/16" Wrench
- Ratchet & Extension

ESTIMATED TIME FOR INSTALLATION:

1.5 Hour

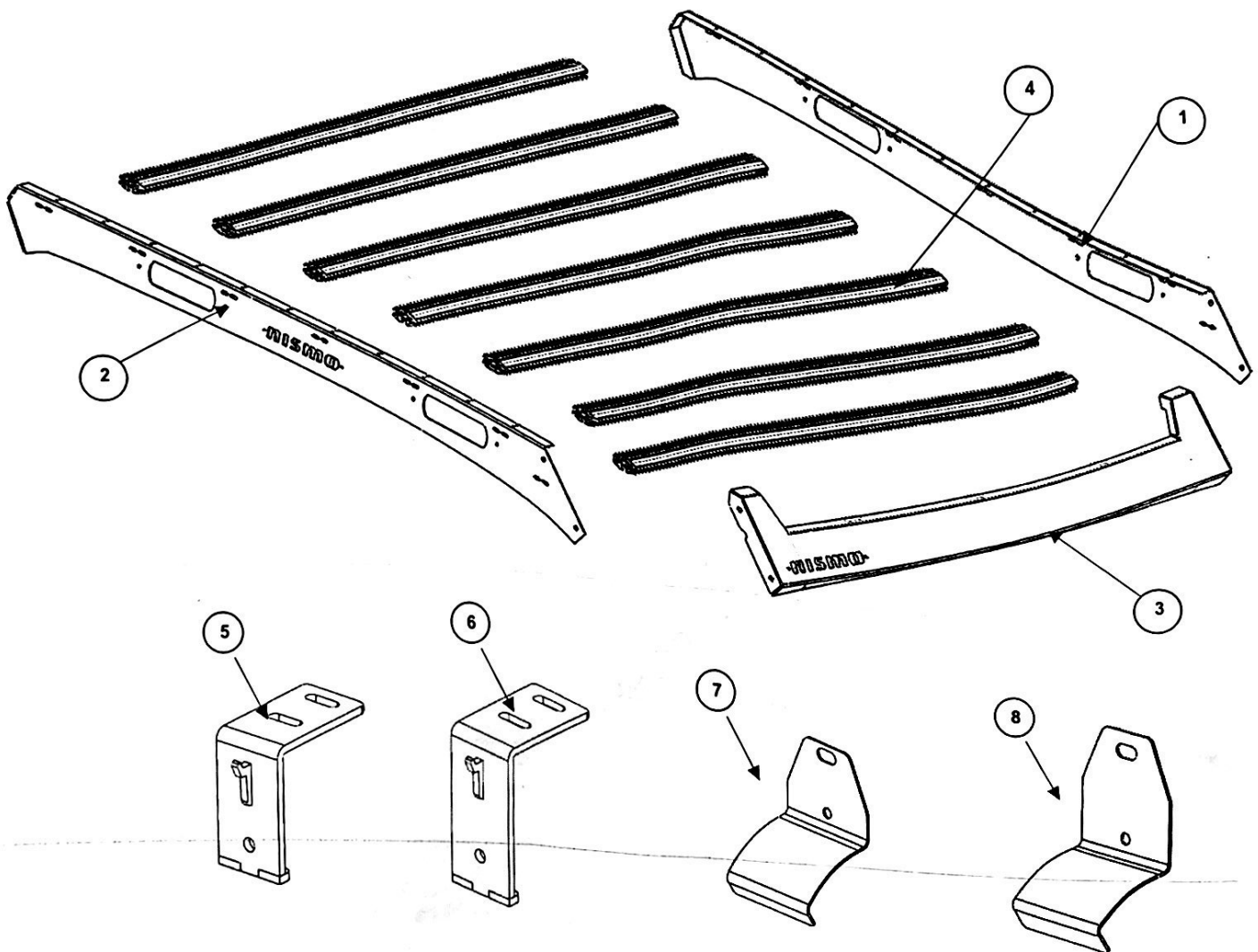
If you need installation service for your new product, call the authorized distributor from whom you purchased the product or an authorized installation service company which can be found by calling toll free 1-888-427-4466

Nismo Roof Rack

INSTALLATION INSTRUCTIONS

PARTS INCLUDED IN THIS LIST:

ITEM	QTY.	DESCRIPTION	ITEM	QTY.	DESCRIPTION
1	1	Side Rail (Driver)	7	2	Rear plate
2	1	Side Rail (Passenger)	8	2	Front plate
3	1	Front Cover			
4	7	Crossbar			
5	3	Rear Bracket			
6	2	Front Bracket			

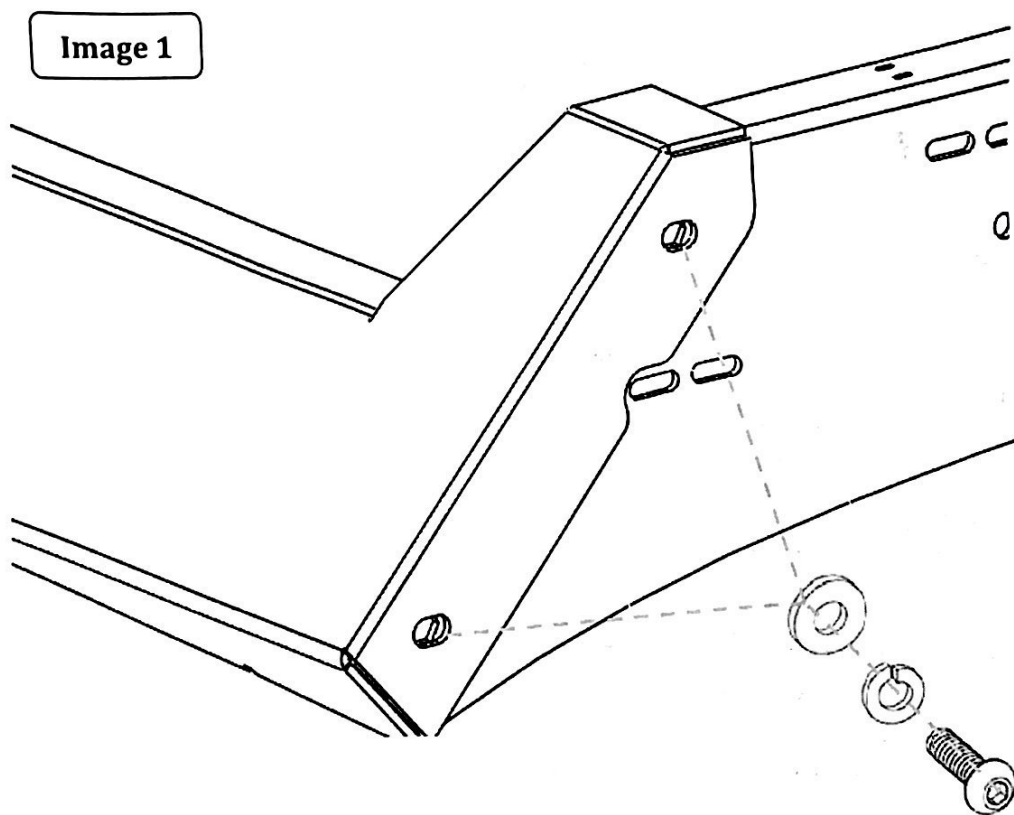


Nismo Roof Rack

INSTALLATION INSTRUCTIONS

Step-1 Lay the Ceros roof rack components on a protective surface. If necessary, use the packing materials to protect the finish on the components.

Step-2 Begin the roof rack assembly by placing the front cover on the side covers . Install by hand starting (2) 1/4" x 3/4" Button Head Screw with (2) 1/4" lock washers and (2) 1/4" flat washer per side. (Image 1). Do not tighten the bolts yet.

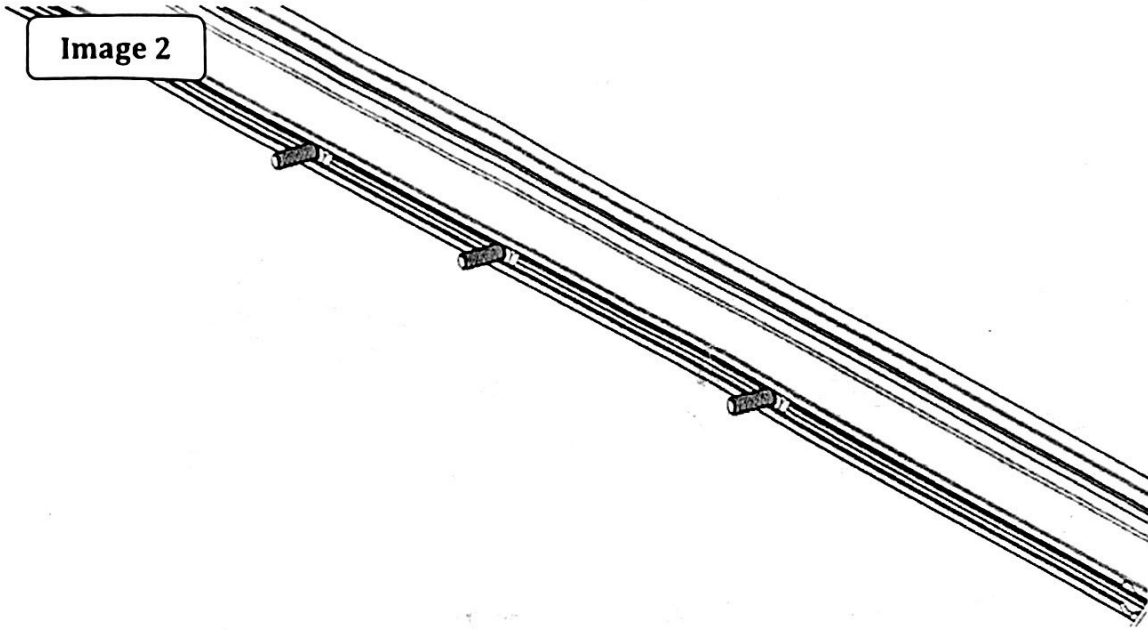


Nismo Roof Rack

INSTALLATION INSTRUCTIONS

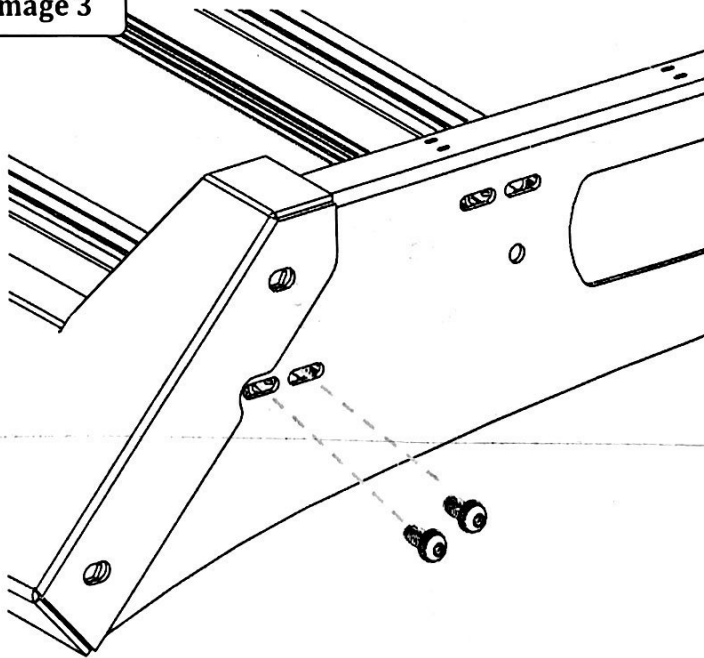
Step-3 Insert and slide 3 $\frac{1}{4}$ " x $\frac{3}{4}$ " hex screw into the channel in a crossbar such that the strings point forward. This bar is going to be the front one. (Image 2).

Image 2



Step-4 Place the crossbar along the side panels. Install with (2) $\frac{1}{4}$ x $\frac{3}{4}$ SEMS bolt on each side.. (Image 3).

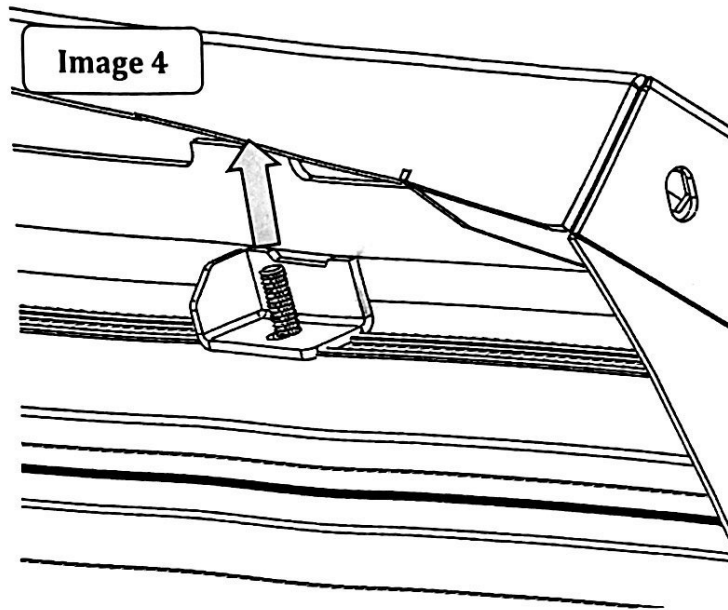
Image 3



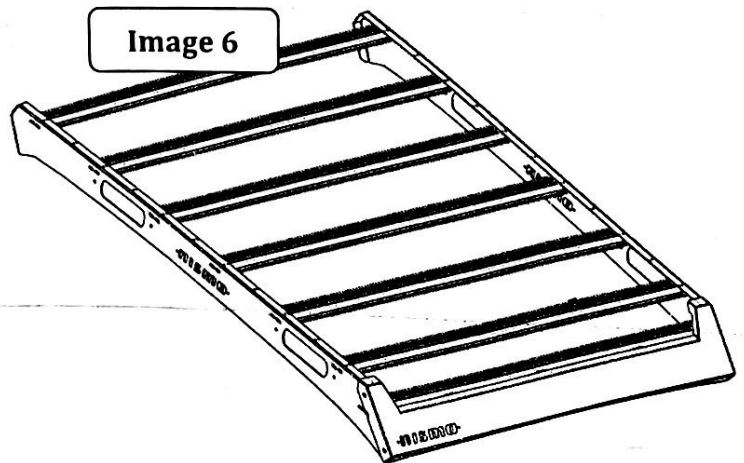
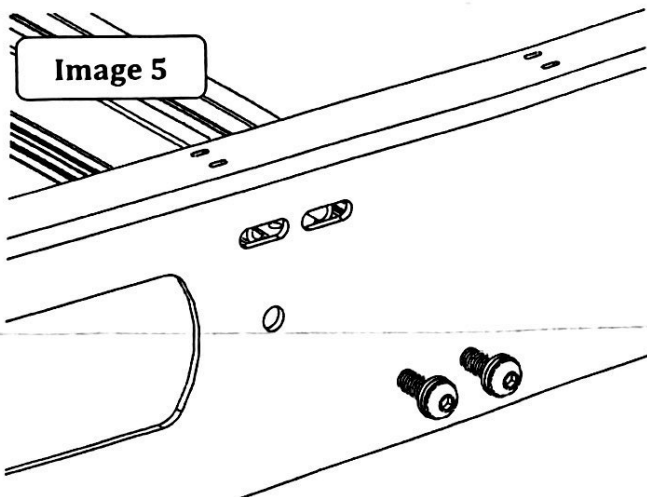
Nismo Roof Rack

INSTALLATION INSTRUCTIONS

Step-5. Make sure that the 3 preinstalled $\frac{1}{4}$ " x $\frac{3}{4}$ " hex screws are aligned with the 3 welded brackets on the front panel. Once in position, secure them using (1) $\frac{1}{4}$ " lock washer and (1) $\frac{1}{4}$ " hex nut, per bracket (Image 4).



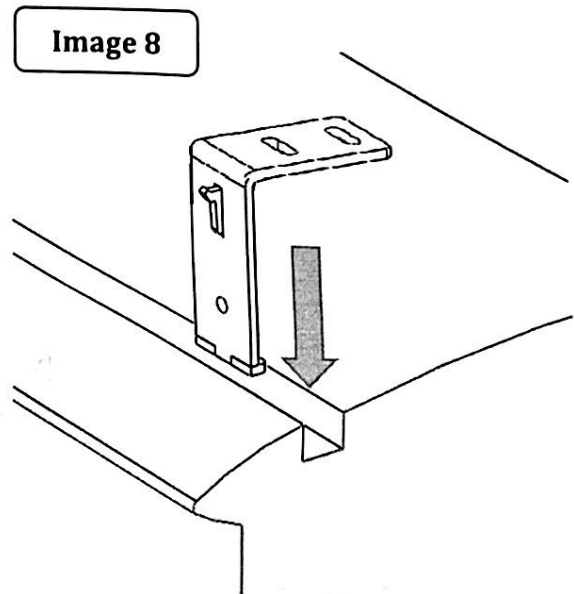
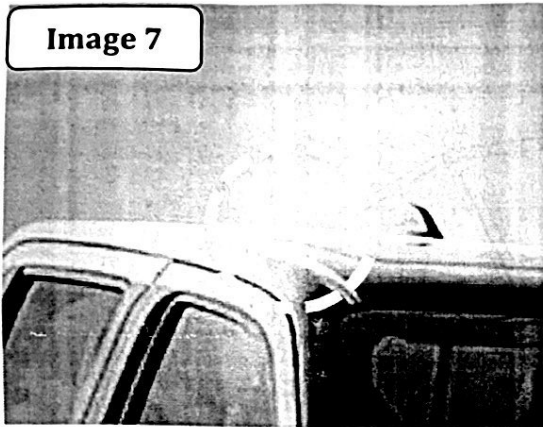
Step-6. Install the rest of the crossbars using the same procedure (Image 5) Make sure that the Roof rack is straight and tighten all the screws (Image 6).



Nismo Roof Rack

INSTALLATION INSTRUCTIONS

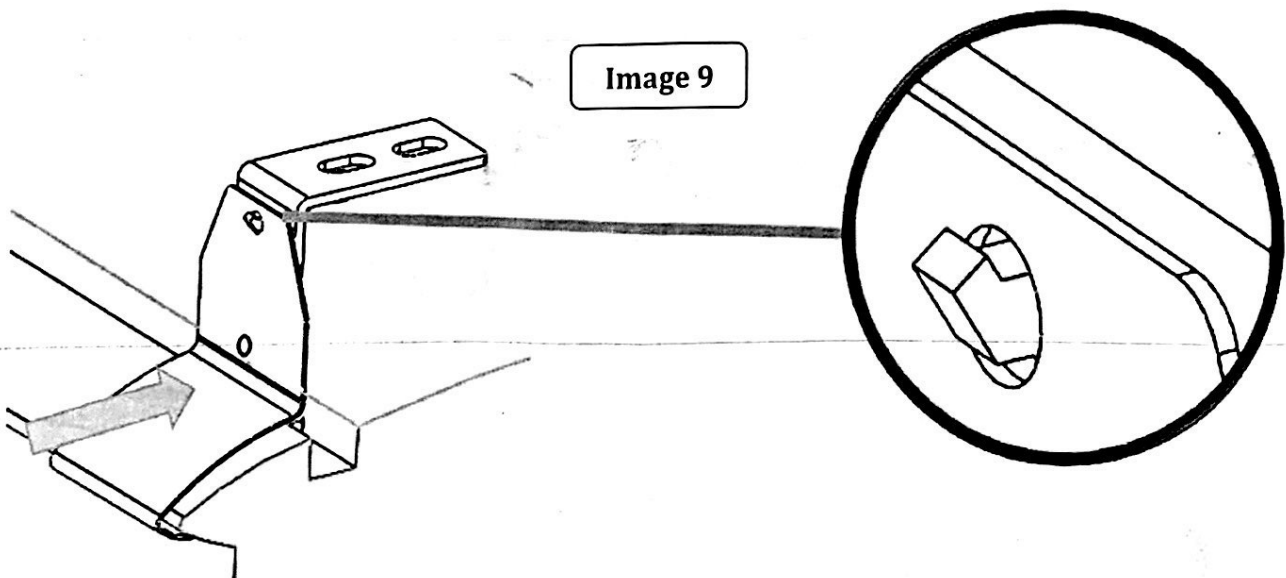
Step-7 Put the Front main support (THE HIGHEST OF THE TWO) on the rail located on the roof of the vehicle (image 7 & 8).



Step-8 With the vehicle door open, place the metal plate on the bodywork. Make sure the hook of the main bracket goes through the nail hole. (Image 9).

Repeat step with on the driver's side and at the rear of the vehicle.

It is important to put the highest plate on the front door and the lowest on the rear door.

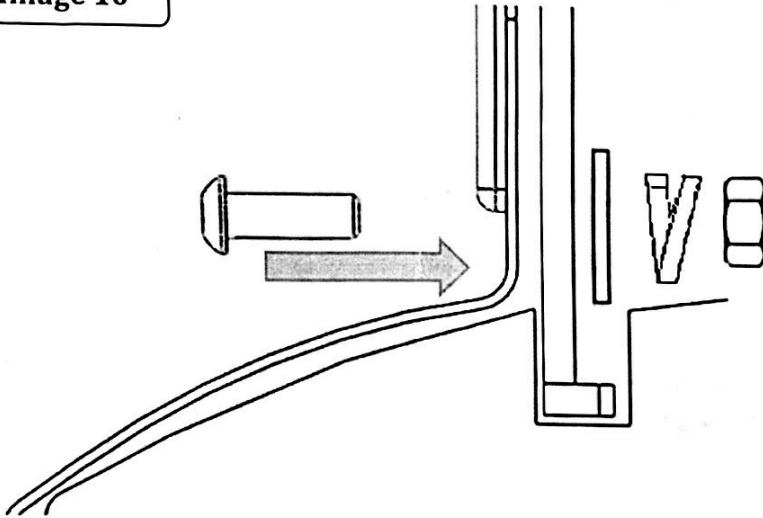


Nismo Roof Rack

INSTALLATION INSTRUCTIONS

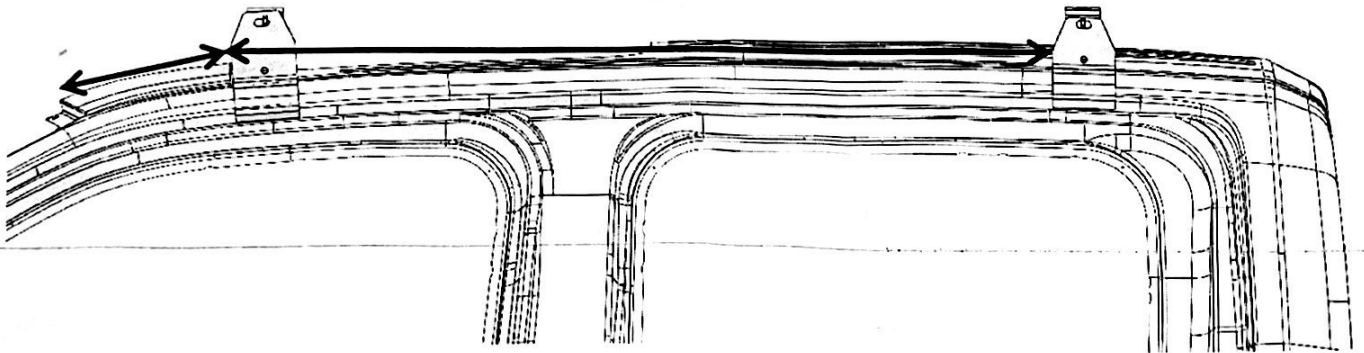
Step 9 Install the plate to the bracket using (1) 1/4 "x 1" screw, (1) 1/4 "flat washer, (1) 1/4" lock washer, and (1) 1/4 "nut. (Image 10). Repeat all the steps with the other 3 supports. You have to install 2 on each side of the vehicle. Do not tighten the screws yet.

Image 10



Step 10 The distance between the windshield and the first bracket should be approximately 8" inches. The second bracket should be 40" from the first. the final adjustment must be made once the basket is in position (Image 11)

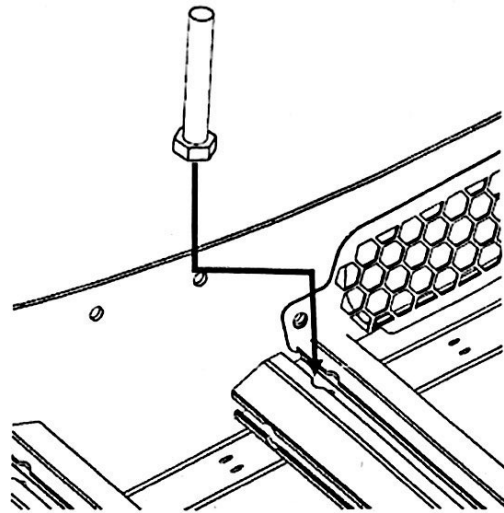
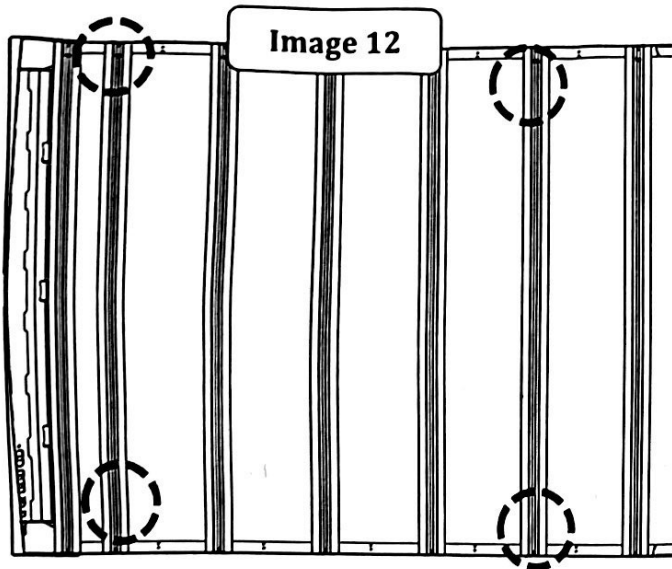
Image 11



Nismo Roof Rack

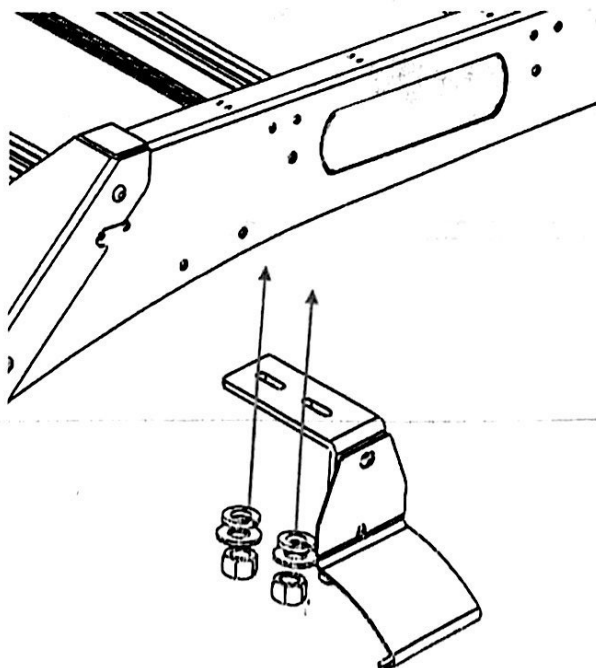
INSTALLATION INSTRUCTIONS

Step 11 Locate the second and sixth rack bars. Slide (4) ¼ "x 1 ¼" hex head cap screws per bar. (Image 12)



Step 12 With help, place the basket on the vehicle and place it on the supports. Install using (2) flat washers, (2) lock washers, and (2) 1/4 "nuts per bracket. (Image 13)

Image 13



Nismo Roof Rack

INSTALLATION INSTRUCTIONS

Step 13 Adjust and align the Ceros Roof Rack Assembly as necessary and fully tighten all hardware (Image 14).

Image 14

